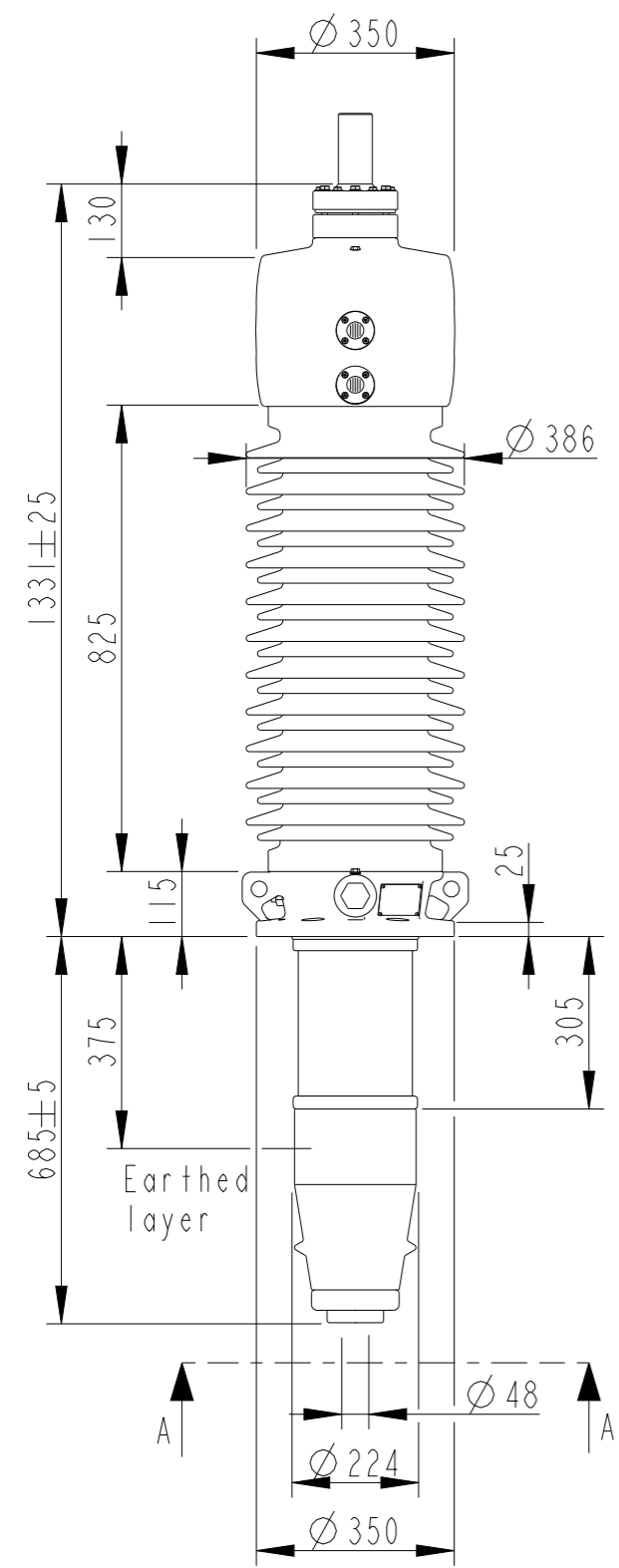


This document is issued by means of a computerized system. The digitally stored original is electronically approved. The approved document has a date entered in the "Approved"-field. A manual signature is not required.

The information contained in this document has to be kept strictly confidential. Any unauthorized use, reproduction, distribution or disclosure to third parties are strictly forbidden. ABB reserves all rights regarding Intellectual Property Rights. © Copyright 2013 ABB. All rights reserved.



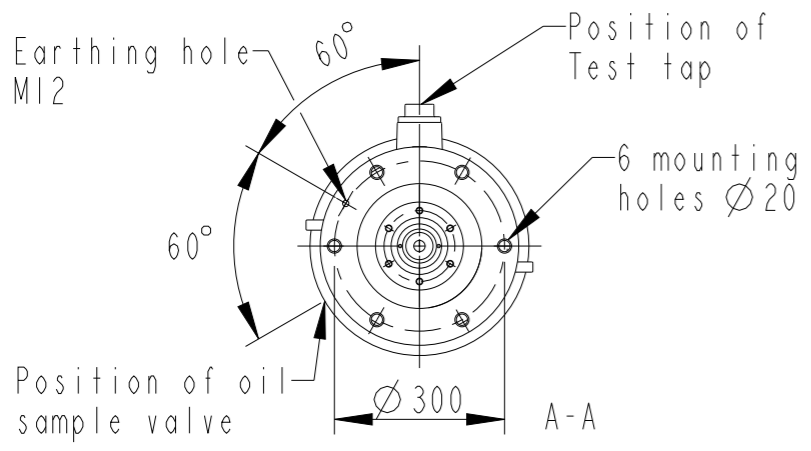
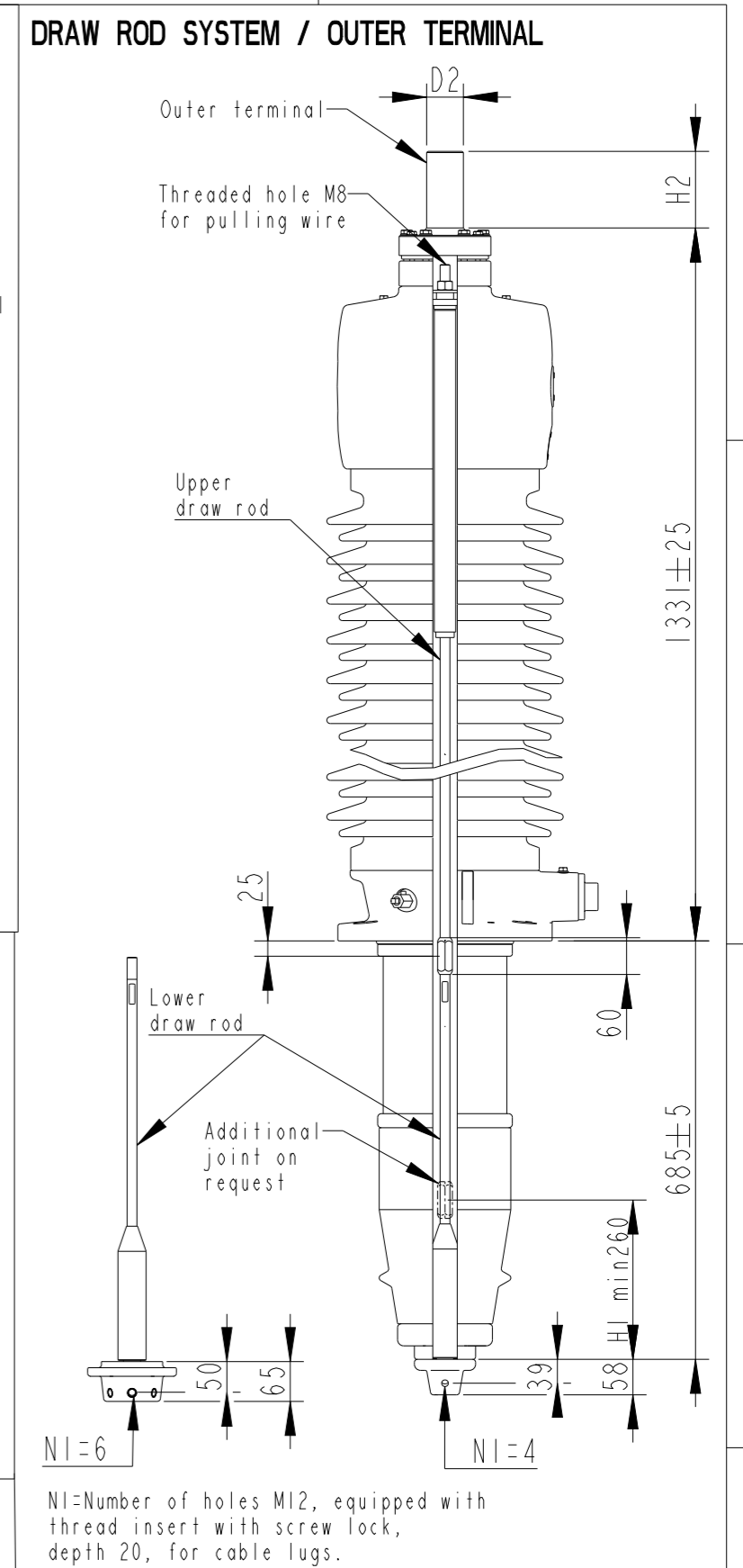
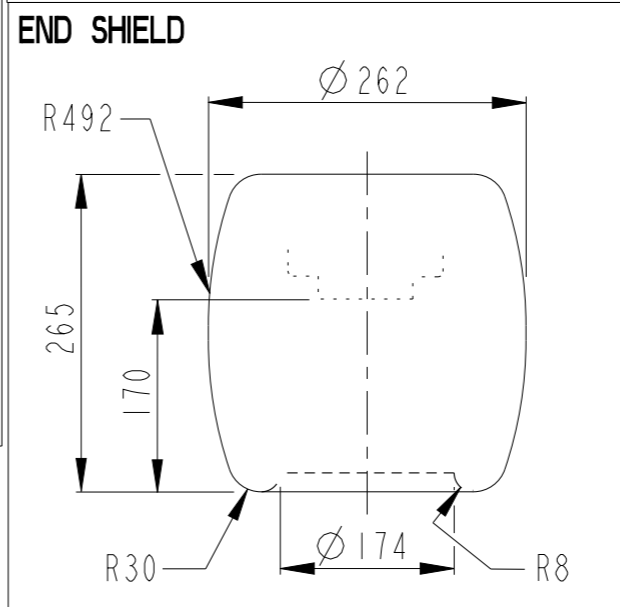
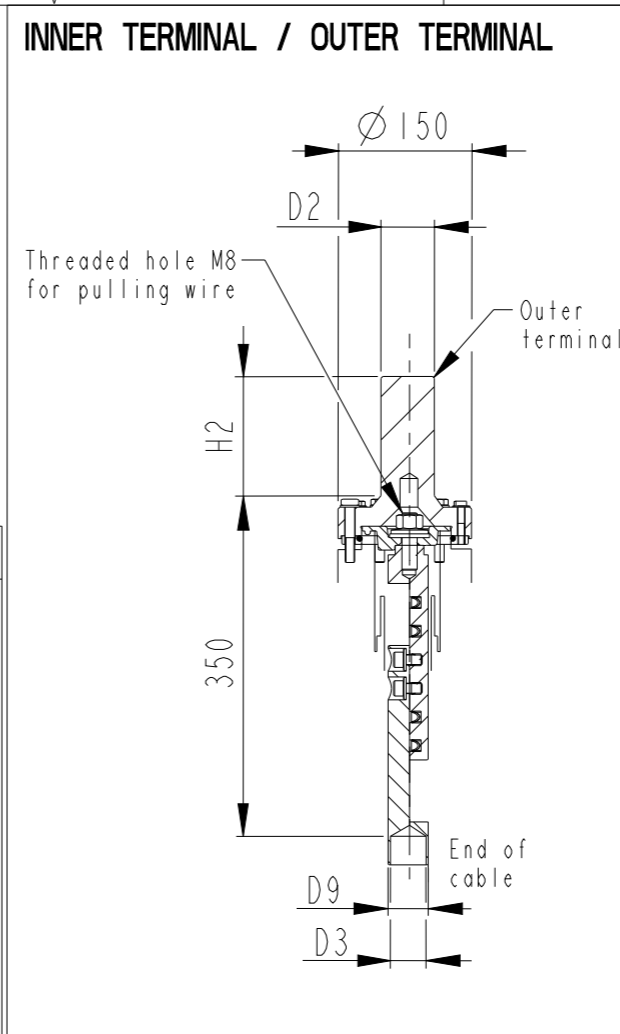
**Bushing Data:**

Rated Voltage	52 kV
Phase to-earth Voltage	30 kV
Dry Lightning Impulse 1,2/50µs	250 kV
Wet Switching Impulse	210 kV
Wet Power frequency AC	120 kV
Routine test Imin dry 50Hz	120 kV
Rated Current	3150 A
Creepage Distance	2955 mm
Mass	240 kg

**Ordering Data:**

<b>BUSHING</b>	COLOUR AIR INSULATOR
1ZSC902052-AAA	BROWN
1ZSC902052-BAA	GREY
<b>OUTER TERMINAL</b>	
	H2 D2
	(mm) (mm)
LF170 073-A	Al 125 60
LF170 073-B	Cu 125 60
LF170 073-G	Cu/Ag 125 60
LF170 073-L	Cu/Sn 125 60
LF170 073-BA	Cu/Ag 125 2"-12UN
LF170 073-AA	Cu 125 96
<b>END-SHIELD</b>	
LF170 046-U	EPOXY INSULATED
LF170 046-UP	INSULATED WITH 3 mm PRESSBOARD
<b>DRAW ROD SYSTEM</b>	
LF170 059	LOWER DRAW ROD WITH NI=4 OR NI=6
LF170 057	UPPER DRAW ROD
<b>INNER TERMINAL</b>	
	D3 D9 Cond.area Current (A)
	(mm) (mm)(mm <sup>2</sup> ) IEC IEEE
LF170 056-E	0 *) 45 - - -
LF170 056-D	40 45 600 1600 1360

\*) WITH PILOT HOLE D=5



**ABB** Ludvika, Sweden

No.	Um/Uy	kV Ir	A 50/60 Hz
○	BIL	kV SIL	kV AC
○	M	kg L	mm ✓
○	C1	pF Tan δ	x
○	C2	pF Tan δ	x

Prepared	Rezhin Ismail	2017-04-24	Responsible department	PGCO/BK	Title	
Modified by	Rezhin Ismail	2017-06-12	Take over department		GOE 250-210-3150-0.3	Language
Approved by	Natalia Gutman	2017-06-12	Used in product		GOE 250-210-3150-0.3	82
Revision	G	Drawing display updated	Order			Sheet no.
<b>ABB</b>			Document no.	2751369-297		No. Shits. (1)