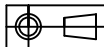


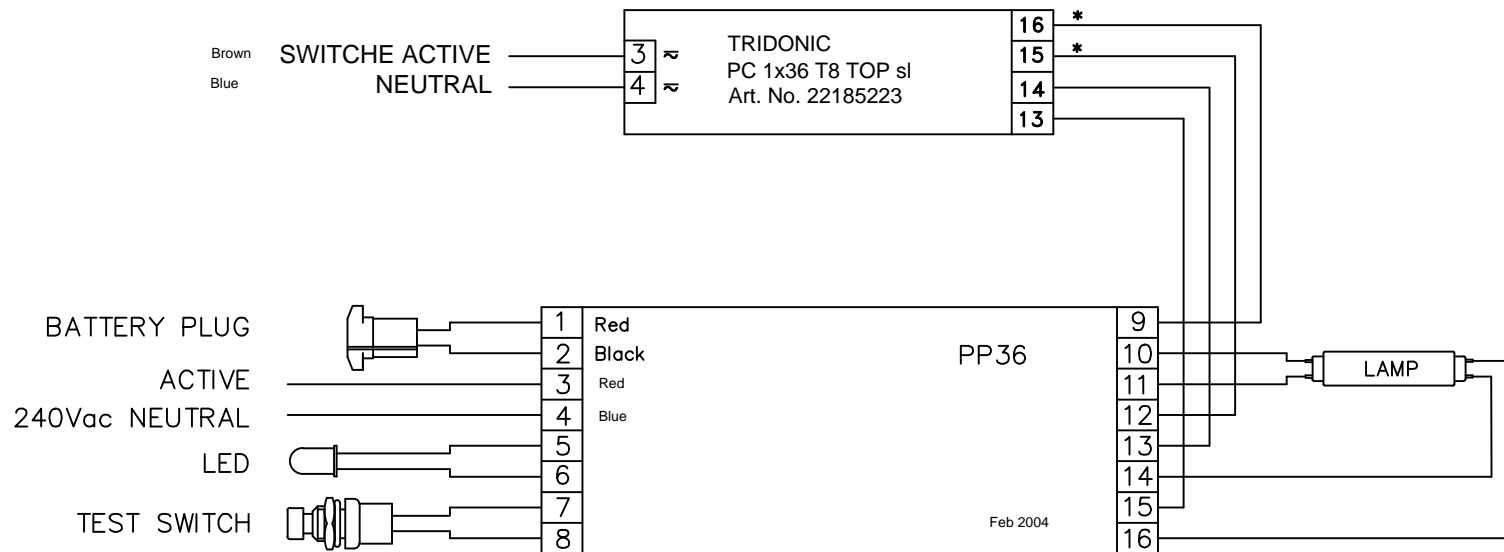
DRAWING NUMBER
SPWD080A

DO NOT SCALE



ISS	DATE	CHANGE	APPROVAL	ZONE
A	27/06/2016	ORIGINAL ISSUE		

* WIRE LENGTH AS MARKED ON THE BALLAST



BATTERY CONNECTION NOT SHOWN

NOTES:

1. Wiring status: Draft - Not tested. The ballast / power pack combination has not been wired up and tested to confirm functional compatibility.
2. This wiring diagram is provided in good faith and the best of our knowledge at the time of publication. Thomas and Betts does not give any warranty or representation as to the accuracy, reliability or completeness of the information. Thomas and Betts shall not be liable for any loss or damage arising in any way from or in connection with any information provided or omitted, or from anyone acting or refraining to act in reliance on this information.
3. Changes to ballast specification by the manufacturer are beyond our control and may cause adverse effect on the performance, EMC issue and compatibility issue. Consult Thomas and Betts for further advise.

DRAWN	G.K.Grover	Thomas&Betts <small>A Member of the ABB Group</small> ABN 62074810898 23A NYRANG ST, LIDCOMBE NSW 2141 AUSTRALIA		
CHECKED	-----	TITLE Wiring diagram using PP36 with TRIDONIC PC 1x36 T8 TOP sl Art. No. 22185223 Elect Ballast		
APPROVED	G.K.Grover	USED ON	DRAWING NUMBER	SHEET SIZE
DATE:	27/06/16	PP36	SPWD080A	A3
DRAWING STD AS 1100		SCALE	N.T.S.	SHEET 1 OF 1