

We reserve all rights in this document and in the information contained therein. Reproduction, use or disclosure to third parties without express authority is strictly forbidden. © ABB 19

Pos. Läge	R connects förbinder	H connects förbinder
1	12-13	2-15
2		3-15
3		4-15
4		5-15
5		6-15
6		7-15
7		8-15
8		9-15
9A		10-15
9B	11-15	
9	12-14	12-15
9C		1-15
9D		2-15
9E		3-15
10		4-15
11		5-15
12		6-15
13		7-15
14		8-15
15	9-15	
16	10-15	
17		10-15

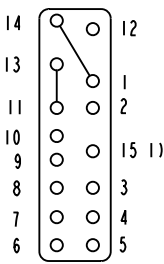
A position with letter is a through position and gives the same voltage as the normal position.

Läge med bokstav är ett genomloppsläge och ger samma spänning som normalläget.

1) Connections between the terminals 15 of the three phases are included in the star-point type.

Förbindningar mellan uttag 15 i de tre faserna ingår i nollpunktsutförandet.

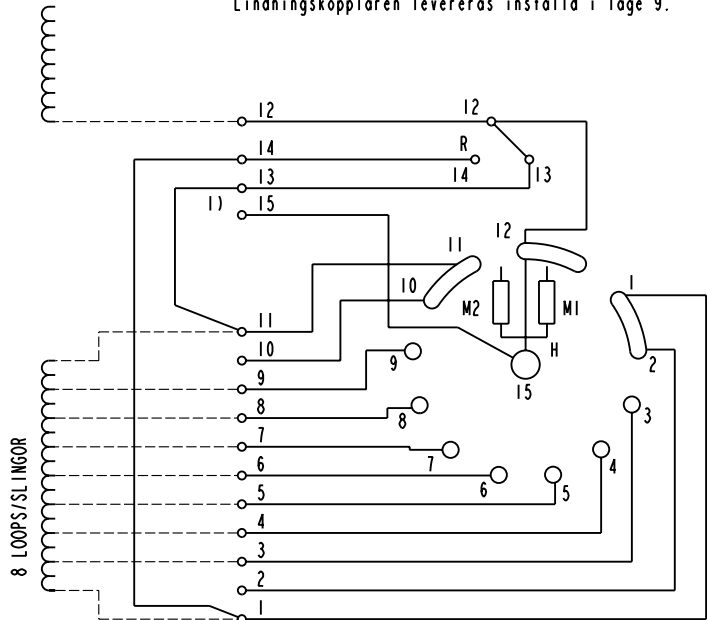
Terminal board
Plint



Section A-A
Sektion A-A

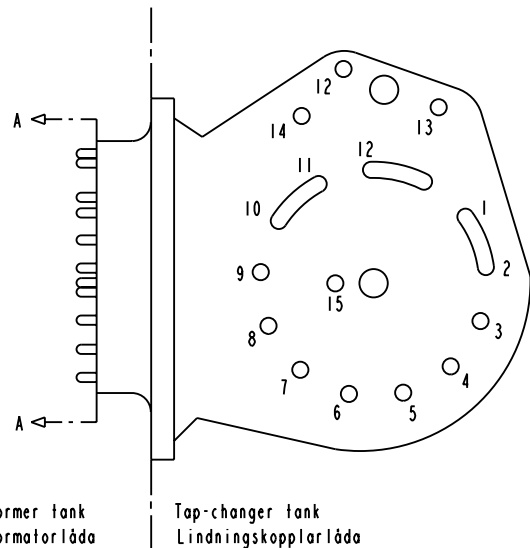
On-load tap-changer type UZER., UZFR., 17 tap positions, plus/minus switching.
Max effective No. of turns in pos. 1.
The tap-changer is delivered set in pos. 9.

Lindningskopplare typ UZER., UZFR., 17 lägen, plus/minus-koppling.
Max antal effektiva varv i läge 1.
Lindningskopplaren levereras inställd i läge 9.



The tap-changer is shown in pos. 9
Lindningskopplaren visad i läge 9

- R Change-over selector
Plus/minus-omkopplare
- H Main contact
Huvudkontakt
- M1, M2 Transition contacts
Motståndskontakter



Transformer tank
Transformatorlåda

Tap-changer tank
Lindningskopplarlåda

Sheet	Cont
	Year Week
Form No.	Dept
	Year Week
Design checked by	Rev
	Ind
Design checked by	Rev
	Ind
Design checked by	Rev
	Ind

-	-	-	-
Rev	Ind	Appd	Year Week

Accepted by qual control R. Yngvesson	Accepted for prod by	Description (English) CONNECTION DIAGRAM	DATA ORIGINAL
Design checked by B-O. Stenestam	Drawn by L. Bergman	Description (own language) KOPPLINGSSCHEMA	File name 0394-5
Drawing checked by M. Hedlund	Issued by Dept Year Week COM/TKO 97 33	5492 0394-5	Lang
ABB Asea Brown Boveri			Sheet 1
			Rev Ind Cont