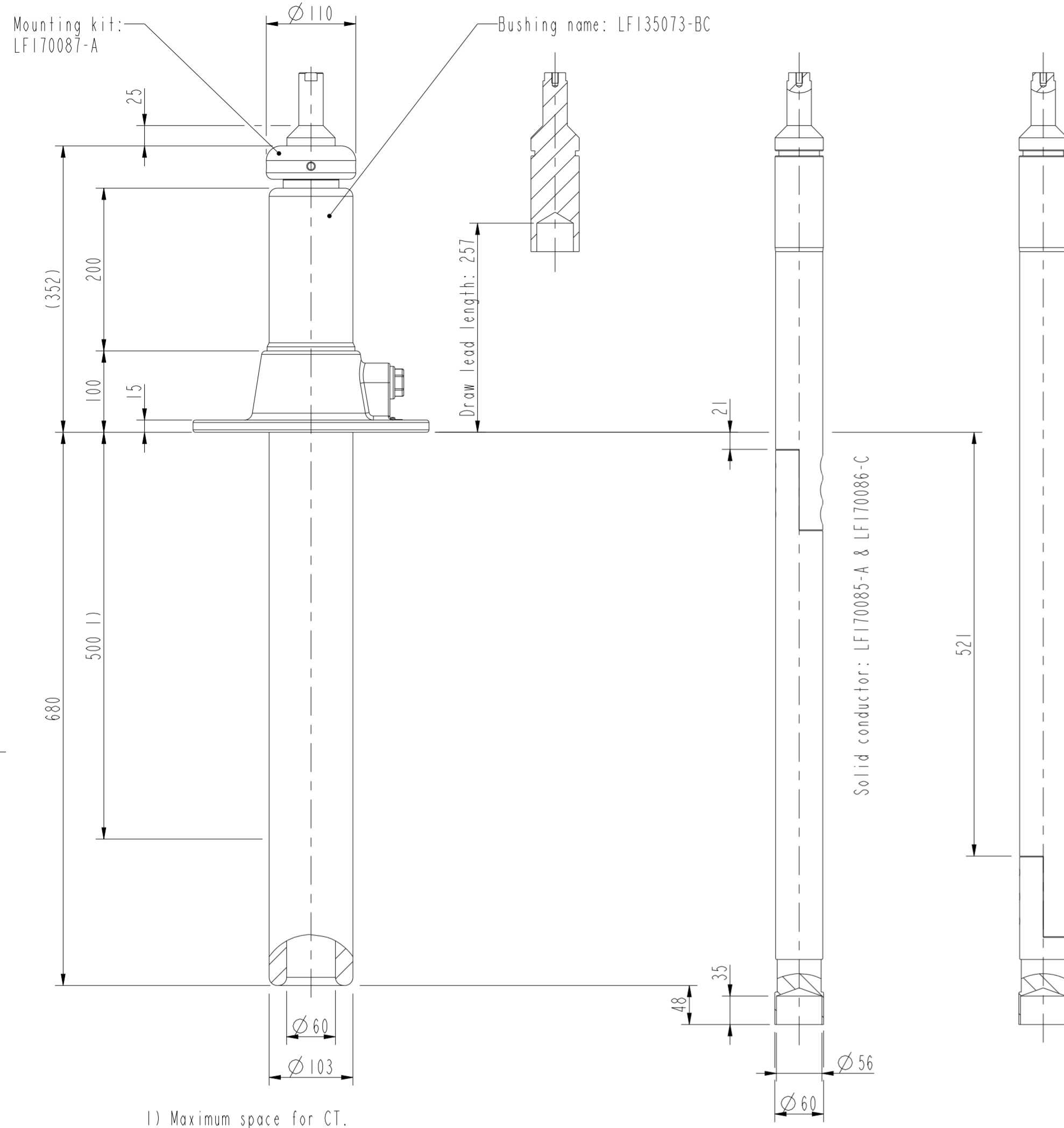


This document is issued by means of a computerized system. The digitally stored original is electronically approved. The approved document has a date entered in the "Approved"-field. A manual signature is not required.

Revision: Revision text  
C Capacitance updated.

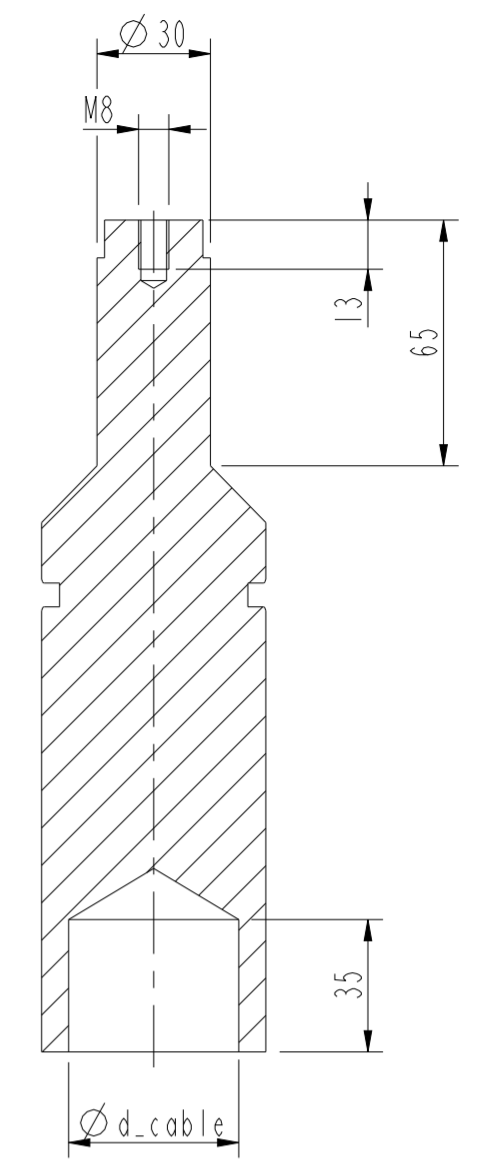


Conductor, upper (Cu)	
Catalog No.	MASS
LF170085-A	11
LF170085-C	22

Conductor, lower (Cu)	
Catalog No.	MASS
LF170086-A	3
LF170086-C	14

Mass: 3.5 kg

Terminal (Cu)	
Catalog No.	d_cable
LF170084-A	5
LF170084-B	11
LF170084-C	13
LF170084-D	15
LF170084-E	18
LF170084-F	30
LF170084-G	42
LF170084-H	45
LF170084-I	50
LF170084-J	54



ELECTRICAL DATA acc. to IEC 60137			
Ratings	Rated voltage	73	kV
	Max. phase to earth voltage	42	kV
	Max. phase to earth voltage, temporary	73	kV
	Max. current with Cu-conductor	2500	A
	Max. current with stranded cable 1295 mm <sup>2</sup>	1600	A
	Dry lightning impulse	350	kV
	Chopped lightning impulse	403	kV
Routine test	Dry power frequency	160	kV
Capacitance	Nominal capacitance	564	pF

GENERAL DATA acc. to IEC 60137			
Mass	Mass bushing	10	kg
Cantilever load	Cantilever test load, according to IEC 60137	3150	N
	Max. cantilever operating load, bushing	1575	N
Ambient air temperature according to IEC 60137		-40 to +40	°C
Mounting and service instructions		2750515-138	

ELECTRICAL DATA acc. to ANSI C57.19.00			
Ratings	Insulation class	69	kV
	Rated max. line to ground voltage	44	kV
	Max. current with Cu-conductor	2500	A
	Max. current with stranded cable 1295 mm <sup>2</sup>	1600	A

Dim. requirements acc. to C57.19.01 not fulfilled

Approved	Document Kind	Based on doc. id	Work order id	Project id
2021-01-21	Dimension Drawing			
Company	Title, Supplementary title			
ABB Technology Ltd	Dimension drawing GSA 73-00 2500/0.5			
Responsible Department	Måttskiss GSA 73-00 2500/0.5			
SEABB-9AAE300824				
<b>ABB</b>	Document id	Status	Revision	Iteration
	2751365-BC	Approved	C	2
				Sheet
				1/1

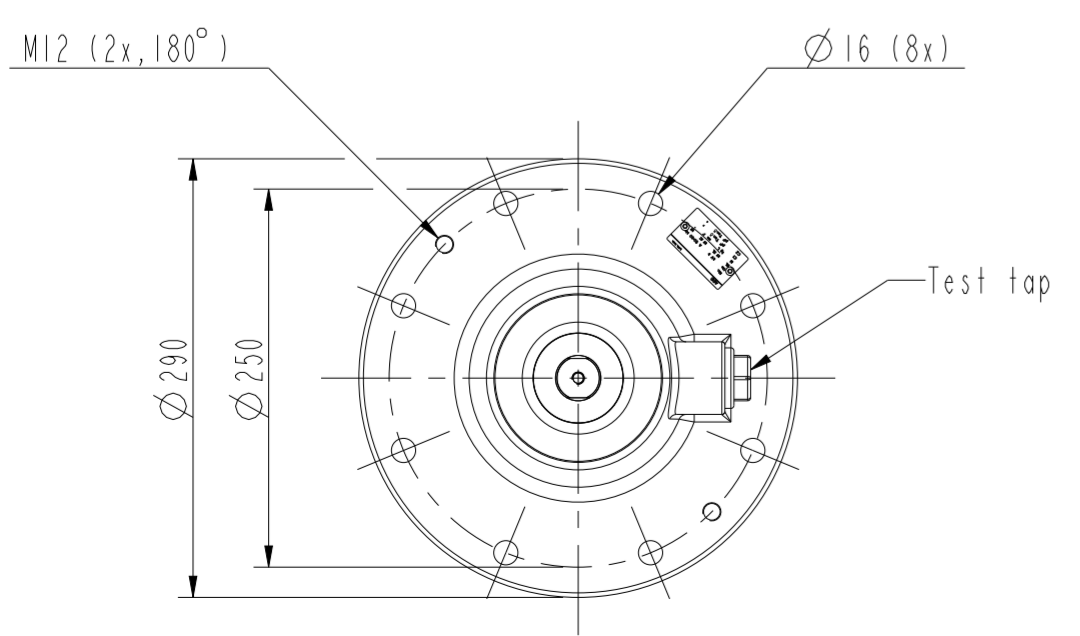


ABB		Ludvika, Sweden	
GSA 73-00/2500/0.5	LF135073-BC		
No.			
Um 73	kV Ir2500	A 50/60	Hz
BIL 350	kV SIL	kV AC 160	kV
M 10	kg L 680	mm	∠ 0-90°
C1	pF Tan δ	x	
C2	pF Tan δ	x	

We reserve all rights in this document and in the information contained therein. Reproduction, use or disclosure to third parties without express authority is strictly forbidden.