

FMR LED

These multi-functional and feature-rich fixtures are capable of both meeting and exceeding the demands of the food processing industry, industrial and commercial environments and architectural applications.



CLASSIFICATION

CLASS I	
Division 2	Groups A, B, C, D
Zone 2	Group IIC
Zone 22	Group IIIB
CLASS II	
Division 2	Groups F, G
CLASS III	

Contact your ABB sales representative to verify classification

CERTIFICATIONS

DLC Not all DL series are DLC qualified. For all qualified products, please visit: www.designlights.org/qpl

NSF Splash and non-food zones

MARINE LISTED E76933

UL LISTED E76933

UL844
UL1598A
UL8750

ida

IP IP66/67

Applications

- High mast
- Parking lots
- Tunnels
- Loading docks
- Swimming pools
- High bay
- Food processing
- Coolers and freezers
- Inspection
- Meat processing
- Quality control areas
- Packaging areas
- Hangars
- Storage facilities
- Oil and gas processing
- Agricultural
- Marine/wet environments
- Chemical/industrial facilities

FMR LED

Key features and benefits

- Copper-free high-pressure die-cast aluminum
- Lens and case are designed to withstand severe impact
- Polyurethane multi-layer powder coating with anti-graffiti properties suitable for interior and exterior surfaces
- Easy cleaning and very smooth to prevent particulate from accumulating
- Two independent power supplies for increased reliability
- Superior CRI (90+)

Color temperature

Available standard in 3500 K and 5000 K color temperatures, with additional color temperatures available from 2700 to 6500 K. Contact your sales representative for more information.

Temperature codes

Luminance	Input voltage	Ambient temp (°C)	Optical models		Flood models		All models
			Class I, Div 2 T-Codes	Ambient temp (°C)	Class I, Div 2 T-Codes	Class II, Div 2 T-Codes	
FMR10	AC	-40 to 55	T3C	-40 to 55	T4A	T5	
FMR10	HV	-40 to 54	T3C	-40 to 51	T4	T5	
FMR15	AC	-40 to 55	T3C	-40 to 55	T4A	T5	
FMR15	HV	-40 to 54	T3C	-40 to 51	T4	T5	
FMR20	AC	-40 to 55	T3C	-40 to 55	T4A	T5	
FMR20	HV	-40 to 54	T3C	-40 to 51	T4	T5	
FMR25	AC	-40 to 51	T3C	-40 to 55	T4A	T5	
FMR25	HV	-40 to 44	T3B	-40 to 50	T4A	T5	
FMR30	AC	-40 to 43	T3	-40 to 42	T4A	T5	
FMR30	HV	-40 to 43	T3	-40 to 40	T3	T5	

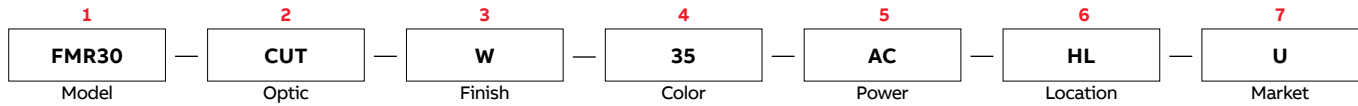
Power ratings

Luminance	Input voltage	Rated wattage (watts)	Rated voltage (volts)	Frequency (Hz)	Rated current (amps)
FMR10	AC	107	120–277	50/60	1.11–0.48
FMR10	HV	129	347–480	50/60	0.43–0.31
FMR15	AC	145	120–277	50/60	1.42–0.61
FMR15	HV	145	347–480	50/60	0.47–0.34
FMR20	AC	190	120–277	50/60	1.74–0.75
FMR20	HV	187	347–480	50/60	0.59–0.42
FMR25	AC	247	120–277	50/60	2.18–0.95
FMR25	HV	248	347–480	50/60	0.74–0.53
FMR30	AC	312	120–277	50/60	2.82–1.22
FMR30	HV	310	347–480	50/60	0.96–0.70

FMR LED

Numbering system

Lighting fixture



Fixture

Part	Part number	Description
1 Model	FMR10	12260 to 12370 lumens
	FMR15	16200 to 16490 lumens
	FMR20	20380 to 20730 lumens
	FMR25	25860 to 26610 lumens
	FMR30	31400 to 31670 lumens
2 Optic	CUT	Wide beam (no optics)
	R2	IESNA Type 2
	OC	Oval, 26° x 108°
	SC	Spot 18°
3 Finish	W	White
4 Color	35	Warm white (3500 K)
	35H	Warm white, high CRI (3500 K)
	50	Cool white (5000 K)
	50H	Cool white, high CRI (5000 K)
5 Power	AC	120 to 277 V AC
	HV	347 to 480 V AC
6 Location	HL	Hazardous location
7 Market	U	US market

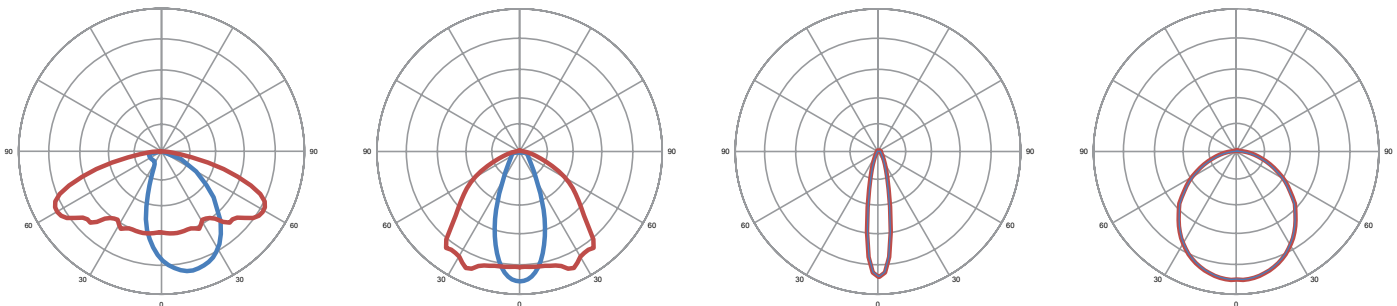
Mounting accessories (order separately)

Part	Part number	Description
Mounting type	FMR-WM-WT	Wall mount ⁵
	FMR-HK-WT	Hanging pendant
	FMR-PM-WT	Pole mount ⁵
	FMR-YM	Yoke mount ^{4,5}
	FMR-YK	High vibration yoke ^{2,4,5}

Notes

1. Minimum order quantities, additional costs and lead times may incur.
2. Custom finishes and high vibration yoke mount are not available for NSF certified units.
3. Hazardous location.
4. Yoke mount only available in stainless steel finish.
5. IDA Fixture seal of approval only applies to fixtures with a CCT of 3000K or less, and that have fixed mounts aiming the fixture perpendicular to the ground.

Modular optics (20 options)



R2 – IESNA Type 2		
Model	Lumens	Lumens/watts
FMR10	12370	132
FMR15	16340	130
FMR20	20560	125
FMR25	26090	117
FMR30	31670	109

OC – Oval		
Model	Lumens	Lumens/watts
FMR10	12370	132
FMR15	16340	130
FMR20	20560	125
FMR25	26090	117
FMR30	31670	109

SC – Narrow 18°		
Model	Lumens	Lumens/watts
FMR10	12370	132
FMR15	16340	130
FMR20	20560	125
FMR25	26090	117
FMR30	31670	109

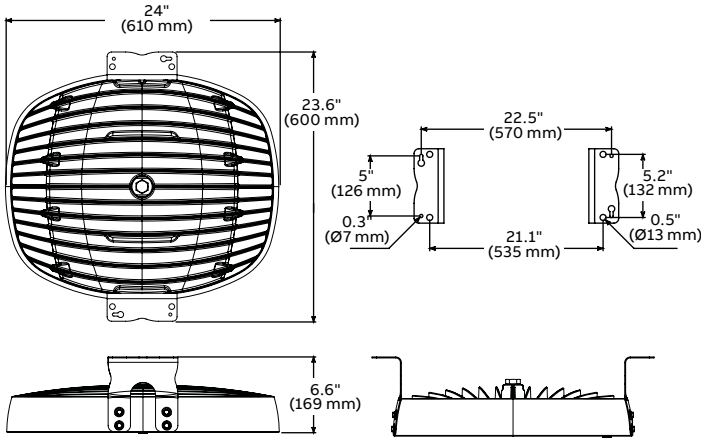
CUT – Wide beam		
Model	Lumens	Lumens/watts
FMR10	12370	132
FMR15	16340	130
FMR20	20560	125
FMR25	26090	117
FMR30	31670	109

Standard offering above, 13 alternate optical profiles available upon request. Contact sales representative for further details. Minimum order quantities, additional costs and lead times may incur.

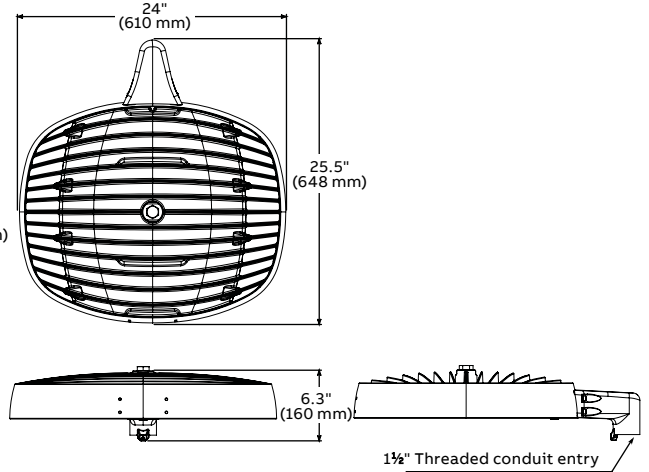
FMR LED

Mounting options

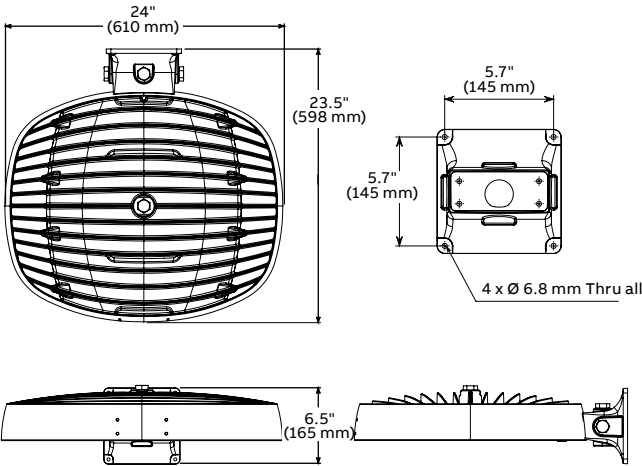
Surface/suspended mount (included standard) 16.8 kg | 37 lbs



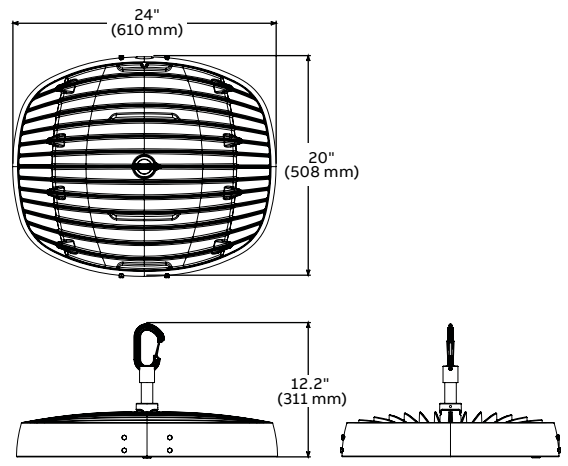
Pole mount FMR-PM (optional accessory) 17.3 kg | 38 lbs



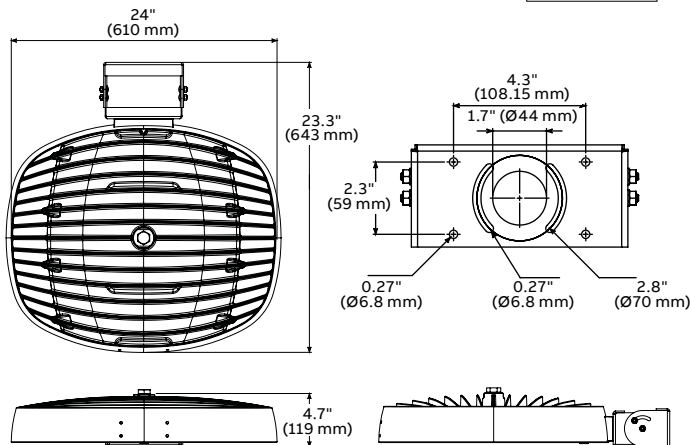
Wall mount FMR-WM (optional accessory) 17.7 kg | 39 lbs



Hanging pendant FMR-HK (optional accessory) 16.4 kg | 36 lbs



Yoke mount FMR-YM (optional accessory) 16.8 kg | 37 lbs



Conduit mount FMR-CM (optional accessory) 16.4 kg | 36 lbs

