

We reserve all rights in this document and in the information contained therein. Reproduction, use or disclosure to third parties without express authority is strictly forbidden. © ABB 19

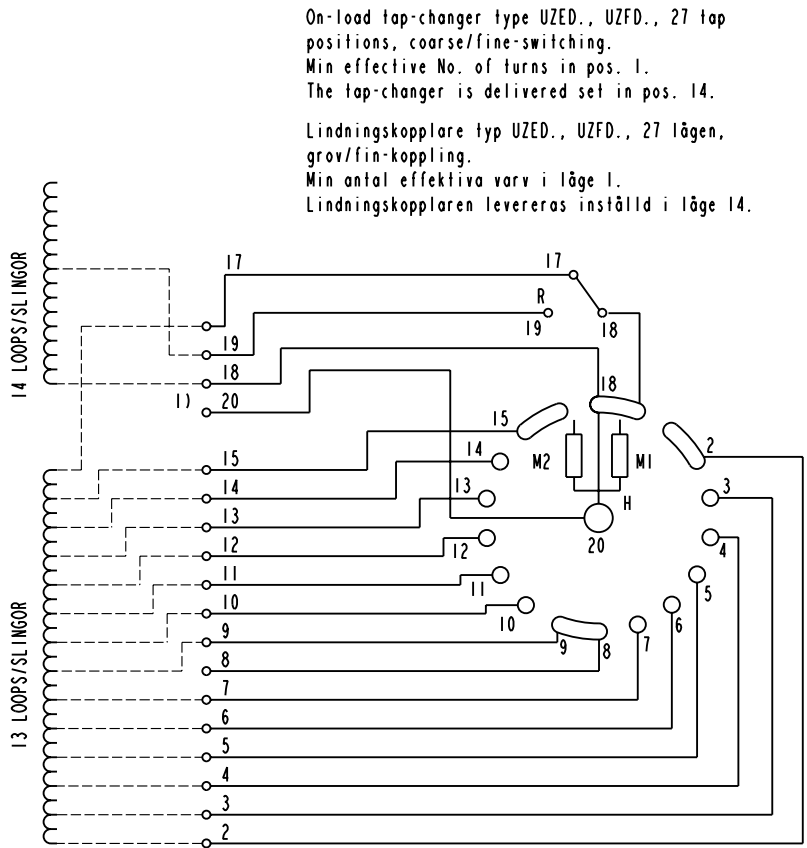
Pos. Läge	R connects förbinder	H connects förbinder
27	17-18	2-20
26		3-20
25		4-20
24		5-20
23		6-20
22		7-20
21A		8-20
21		9-20
20		10-20
19		11-20
18		12-20
17		13-20
16		14-20
15A		17-19
15	18-20	
14	2-20	
14A	3-20	
13	4-20	
13A	5-20	
12	6-20	
11	7-20	
10	8-20	
9	9-20	
8	10-20	
7	11-20	
7A	12-20	
6	13-20	
5	14-20	
4	15-20	
3		
2		
1		

A position with letter is a through position and gives the same voltage as the normal position.

Läge med bokstav är ett genomloppsläge och ger samma spänning som normalläget.

1) Connections between the terminals 20 of the three phases are included in the star-point type.

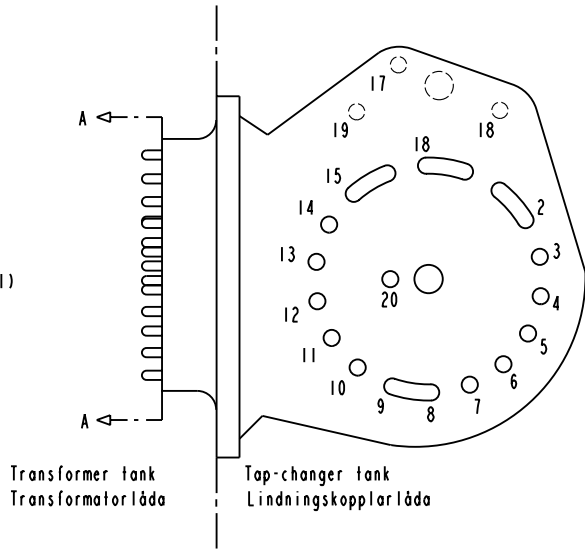
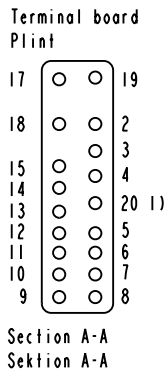
Förbindningar mellan uttag 20 i de tre faserna ingår i nollpunktsutförandet.



On-load tap-changer type UZED., UZFD., 27 tap positions, coarse/line-switching.  
Min effective No. of turns in pos. 1.  
The tap-changer is delivered set in pos. 14.  
Lindningskopplare typ UZED., UZFD., 27 lägen, grov/fin-koppling.  
Min antal effektiva varv i läge 1.  
Lindningskopplaren levereras inställd i läge 14.

The tap-changer is shown in pos. 14  
Lindningskopplaren visad i läge 14

R Change-over selector  
Grov/fin-omkopplare  
H Main contact  
Huvudkontakt  
M1, M2 Transition contacts  
Motståndskontakter



Sheet	Cont
Year	Week
Dept	
Rev In	Revision
Appd	Year Week
Accepted by	Accepted for prod by
Design checked by	Design checked by
Issued by	Dept Year Week



Asea Brown Boveri

Description (English)	DATA ORIGINAL
CONNECTION DIAGRAM	
Description (own language)	File name
KOPPLINGSSHEMA	0398-8
	Lang
	Sheet
	1
	Rev In
	Cont
	-

5492 0398-8