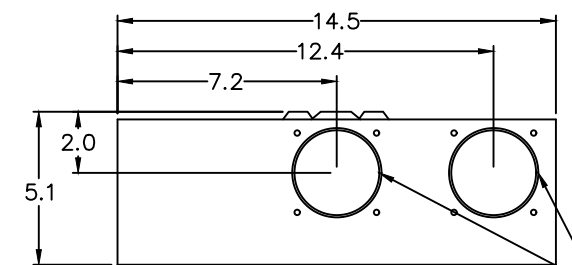
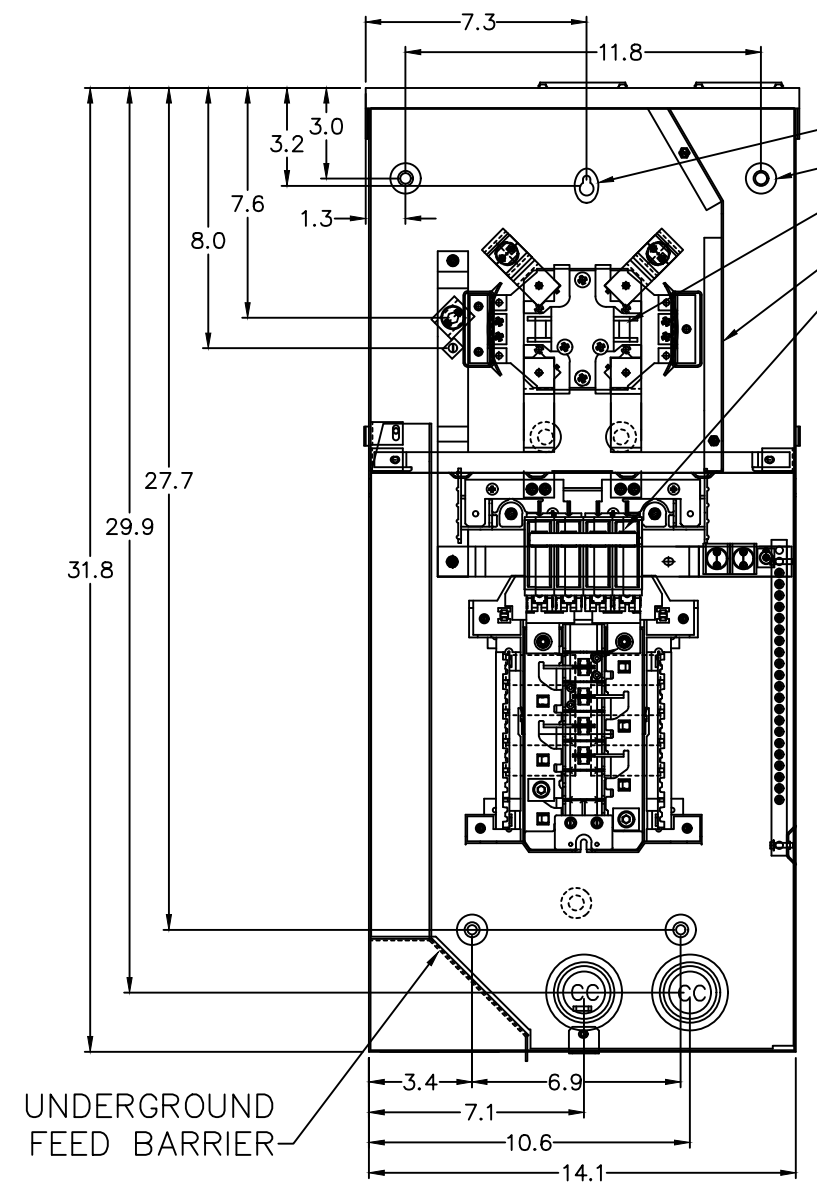
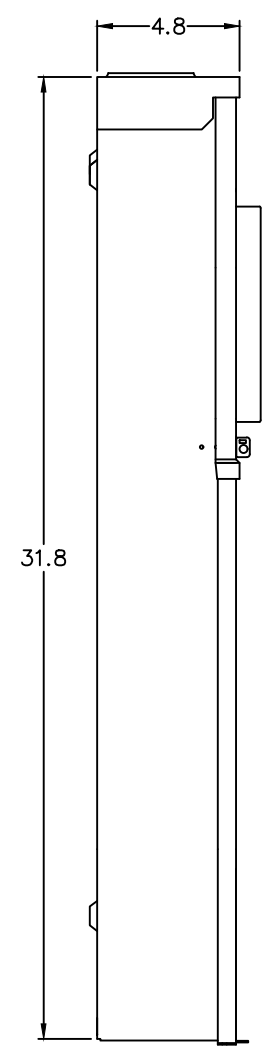


3D Model is the Master Document of Article or Material. Manufacturing to Reach Article or Material Must Conform to RMRs. Processes, Dimensions & Tolerancing as per ASME Y14.5-2009

ABB PROPRIETARY AND CONFIDENTIAL INFORMATION. The information contained in this document has to be kept strictly confidential. Any unauthorized disclosure of this information is strictly forbidden. ABB reserves all rights regarding intellectual property rights. Copyright 2017 ABB. All rights reserved.

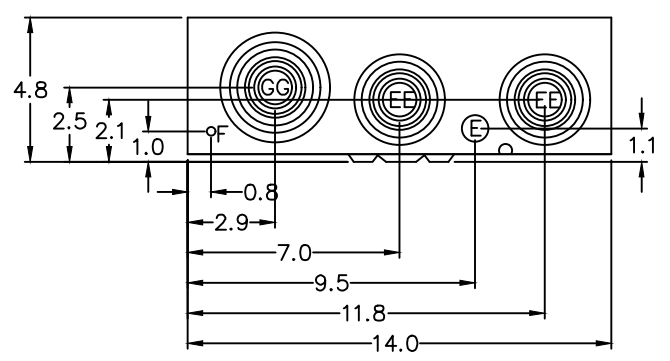
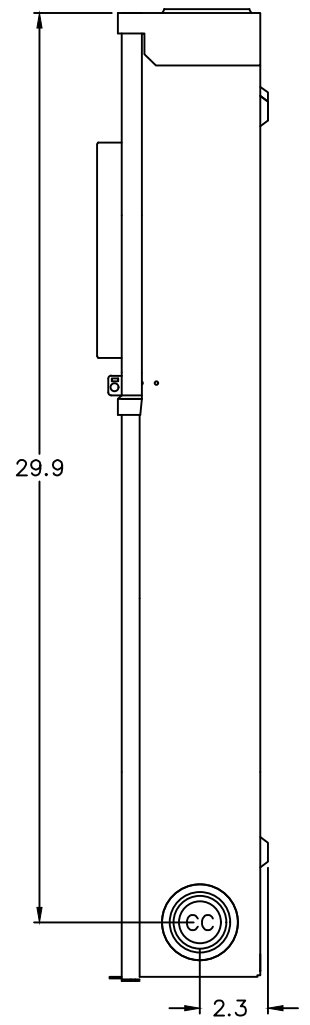
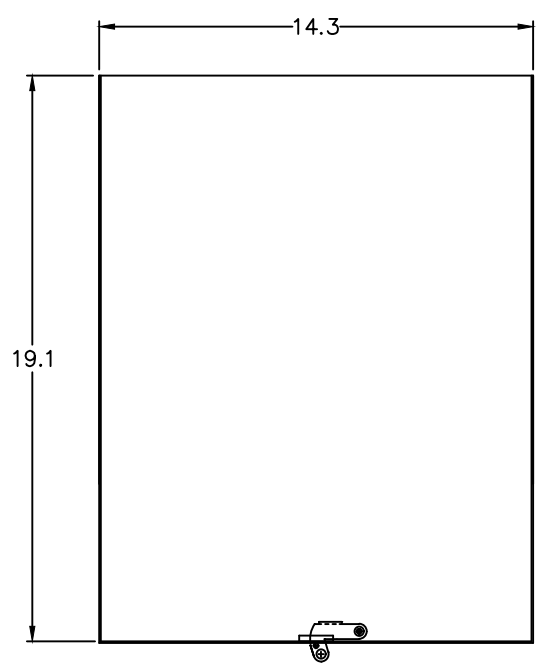
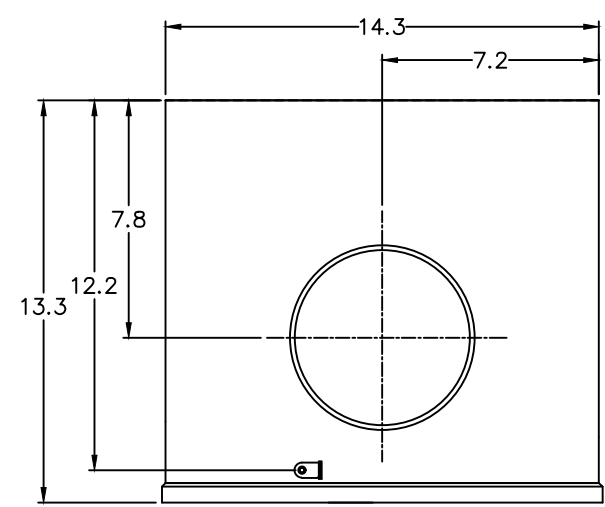
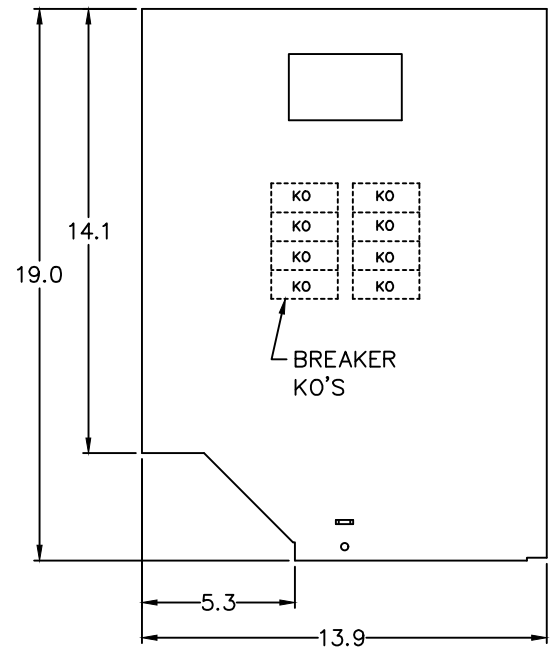


2-1/2" HUB HOLE (2X)



UNDERGROUND FEED BARRIER

- Ø.0312 KEY HOLE KNOCKOUT
- 5/16" MOUNTING HOLE (4X)
- 200AMP. RINGLESS METER SOCKET
- OVERHEAD FEED BARRIER
- 150AMP. CIRCUIT BREAKER (FOR TSMR815CSFLFMG)
- 200AMP. CIRCUIT BREAKER (FOR TSMR820CSFLFMG)



KNOCKOUT TABLE:

F = 9/32"
E = 1/2"
CC = 1/2", 3/4", 1", 1-1/4", 1-1/2", 2"
EE = 1/2", 3/4", 1", 1-1/4", 1-1/2", 2", 2-1/2"
GG = 1-1/4", 1-1/2", 2", 2-1/2", 3"

Note : All Dimensions have ±0.125 Tolerance

CATALOG#	MODEL#
TSMR815CSFLFMG	M01
TSMR820CSFLFMG	M01

<b>ABB</b>			
TITLE TSMR815CSFLFMG / TSMR820CSFLFMG			
UNITS in	LOCAL TITLE OUTLINE DRAWING	REV 2	RELEASE STATE Released
SCALE NTS	PRODUCT LINE LOAD CENTER	SHEET 1 of 1	

