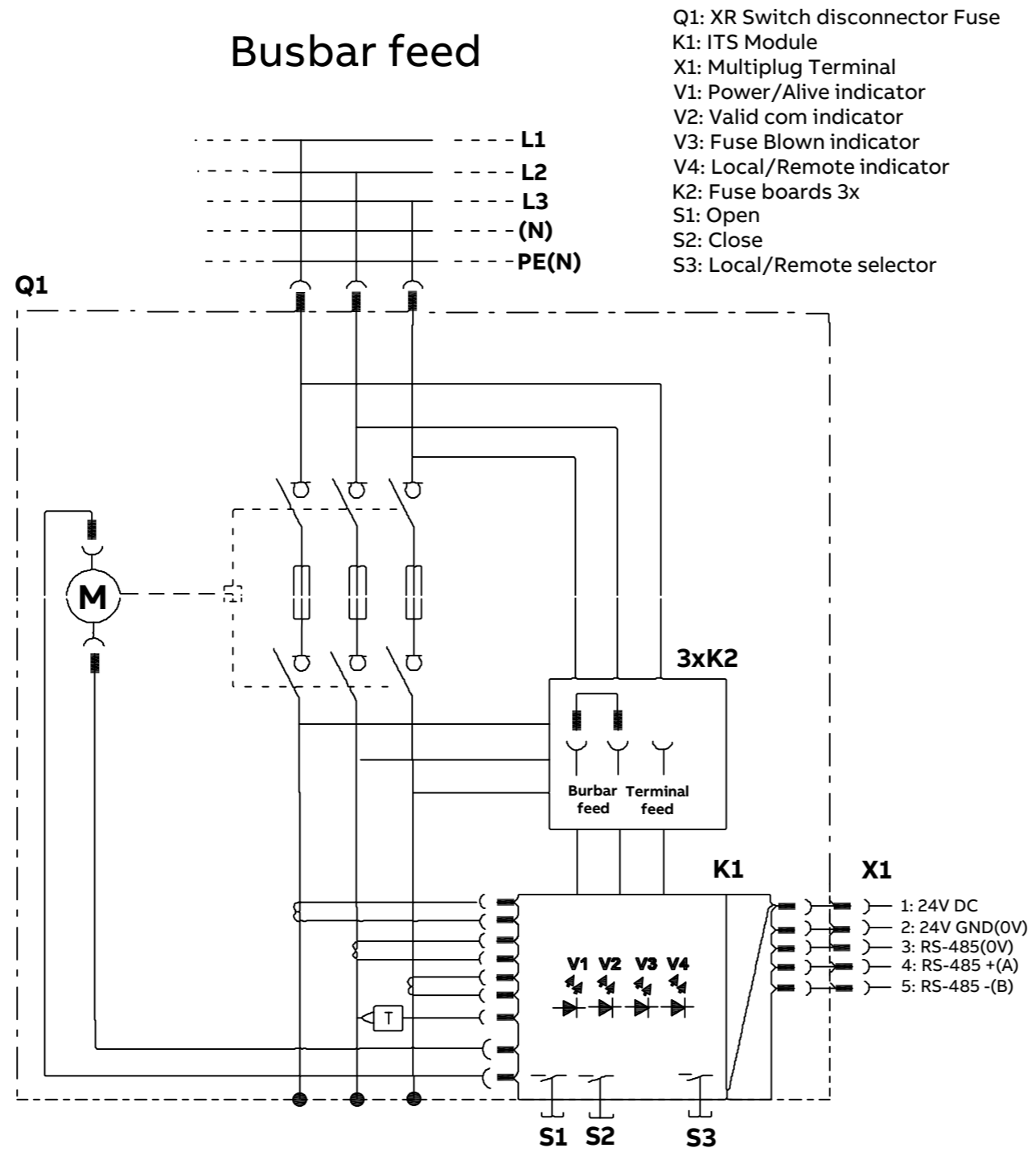


Busbar feed



- Q1: XR Switch disconnecter Fuse
- K1: ITS Module
- X1: Multiplug Terminal
- V1: Power/Alive indicator
- V2: Valid com indicator
- V3: Fuse Blown indicator
- V4: Local/Remote indicator
- K2: Fuse boards 3x
- S1: Open
- S2: Close
- S3: Local/Remote selector

- 1: 24V DC
- 2: 24V GND(0V)
- 3: RS-485(0V)
- 4: RS-485 +(A)
- 5: RS-485 -(B)

*FUNCTIONAL DIMENSIONS F_0 F_1 F_C OR \varnothing ; CHANGED DIMENSIONS \square

COLOR	SURFACE	TOOL	QPS N	FTS N	VTP N	UNMARKED ROUNDINGS	UNMARKED DRAFTS
RAW MATERIAL	MATERIAL NORM	NET WEIGHT	VOLUME	AREA			
CREATED 2021-12-13 Jared-zhiding.lin	MODIFIED 2021-12-13 Jared-zhiding.lin	APPROVED					
ECN NUMBER	ECN DATE	PRODUCT SlimLine	DRAWING FILE A3 .0		TOLERANCES		
ORGANIZATION ABB CN, Smart Power	DEPARTMENT EPSP RD CN						
ABB	TITLE (ZH)	TYPE	SCALE 1:1	FORMAT A3	LANGUAGE EN/ZH	SHEET 1/1	
	TITLE (EN) Circuit diagram_XRG-ITS-MOT	DOC. NO. Circuit diagram_XRG-ITS-MOT			REV. A		

Proprietary and Secret Information

We reserve all rights in this document and in the information contained therein. Reproduction, use or disclosure to third parties without express authority is strictly forbidden.
Copyright ©2019 ABB.

保留文件，經手人職有保密義務；未經授權而披露，權利人享有追償權利！

Rev Description
A New drawing
B
C