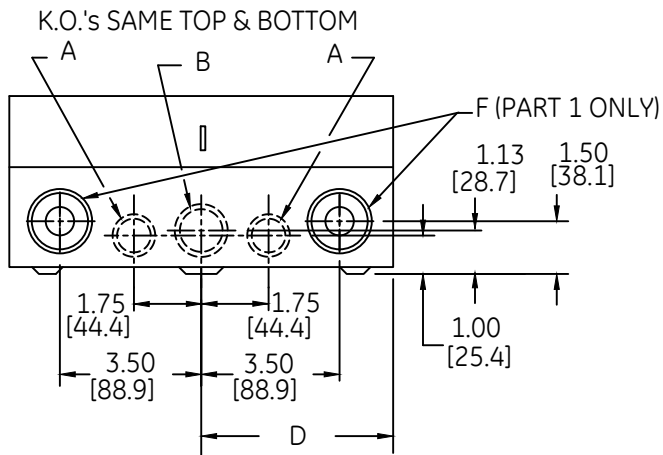
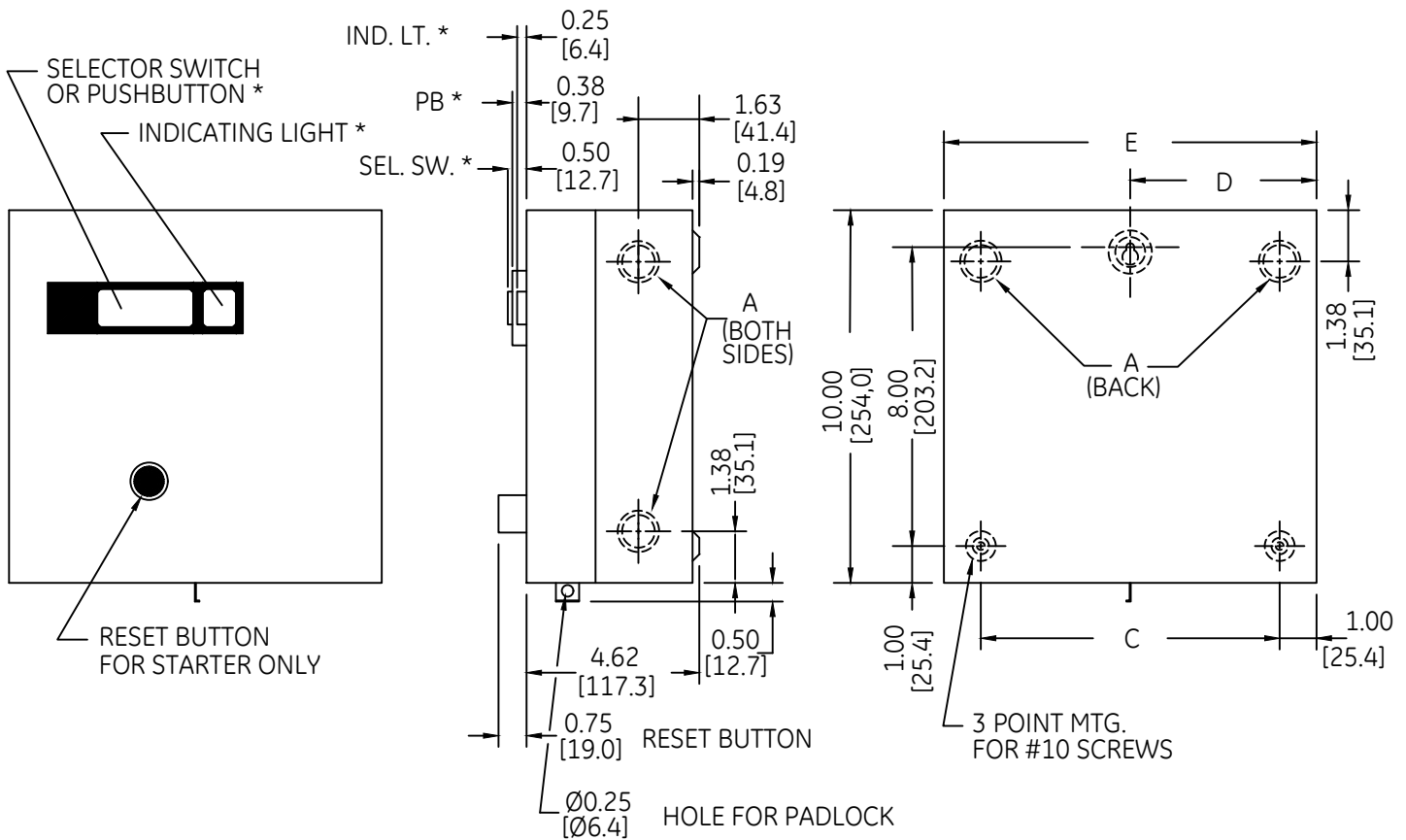


DUAL DIMENSIONS      INCHES      (ESTIMATING ONLY)  
 [MILLIMETERS]



PART	C	D	E
1	8.00 [203.2]	5.00 [127.0]	10.00 [254.0]
2	11.50 [292.1]	6.75 [171.4]	13.50 [342.9]

- A COMBINATION KNOCKOUT FOR 1/2 or 3/4-INCH CONDUIT
- B COMBINATION KNOCKOUT FOR 3/4 or 1-INCH CONDUIT
- F COMBINATION KNOCKOUT FOR 1/2, 1 1/4 OR 1 1/2 INCH CONDUIT

\* IF SPECIFIED



OUTLINE  
 TYPE 1 ENCLOSED

THIRD ANGLE	SHEET#	DWG NO.	DATE	REV
	1 of 1	55-178440	03/21	08