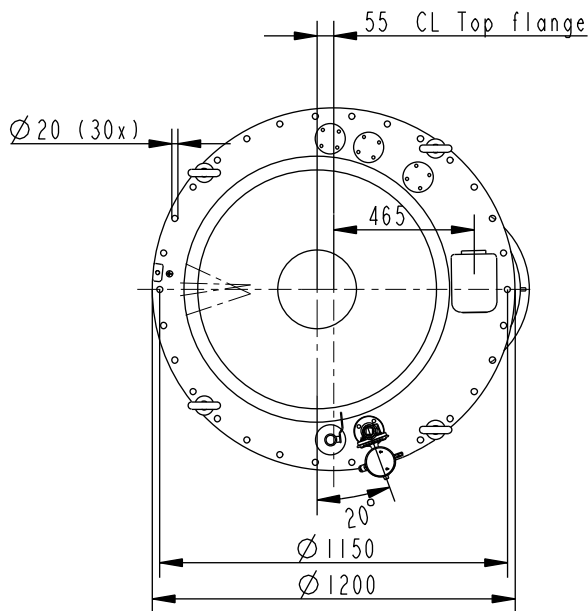
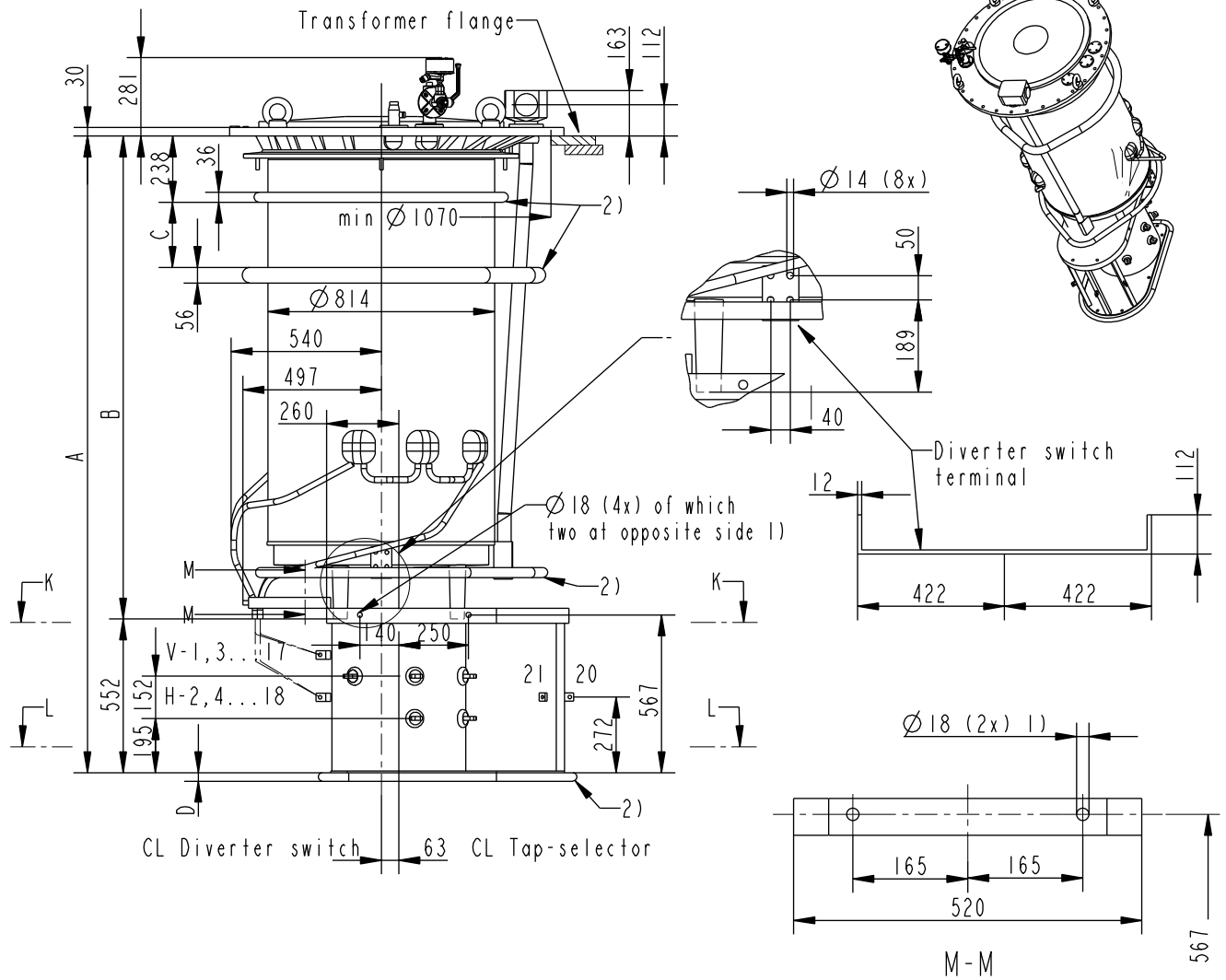


We reserve all rights in this document and in the information contained therein. Reproduction, use or disclosure to third parties without express authority is strictly forbidden. ©ABB



- 1) Holes for mounting of supports for cleats and leads
- 2) Shielding rings for insulating levels 650kV and 1050kV only

INSULATION LEVEL kV	380	650	1050
A	2146	2286	2486
B	1594	1734	1934
C	-	240	440
D	-	30	36
E	-	930	936
F	-	290	293
G	-	580	586

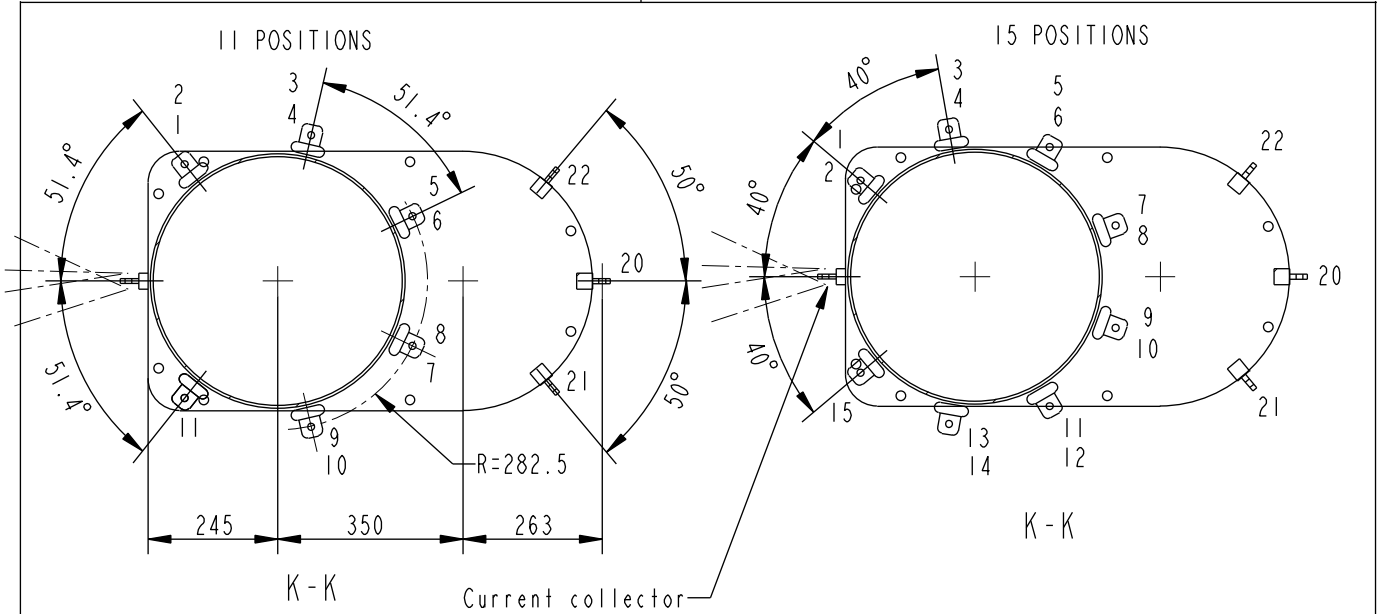
Inspection engineering review	Based on	Reg. No.	Title TAP-CHANGER UCDR AND UCDD UCD.E XXXX/1000/III	 Language en	
Production engineering review	Prepared T Sapila 96-08-21	Responsible department COM/TK			 Page 1 (3)
Design engineering review	Approved M Eriksson	Take over department			
Inspection engineering review	Revision Rev.3 06-10-05	Database DIMENSION_DWGS			
Design engineering review					
ABB Components			Document No. 54920091-8		

We reserve all rights in this document and in the information contained therein. Reproduction, use or disclosure to third parties without express authority is strictly forbidden. ©ABB

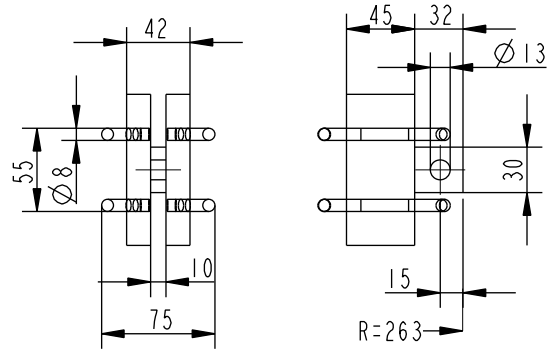
Production engineering review

Design engineering review

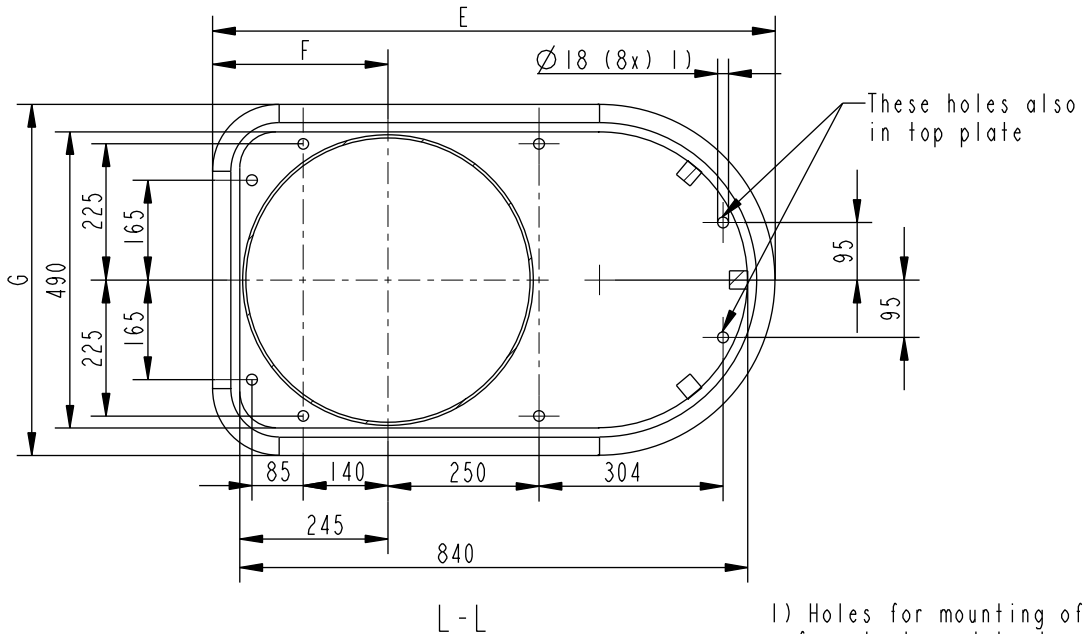
Inspection engineering review



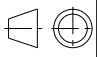

Tap selector contact 20,21,22 with shields



Values for dim. E, F and G in table on page 1



1) Holes for mounting of supports for cleats and leads

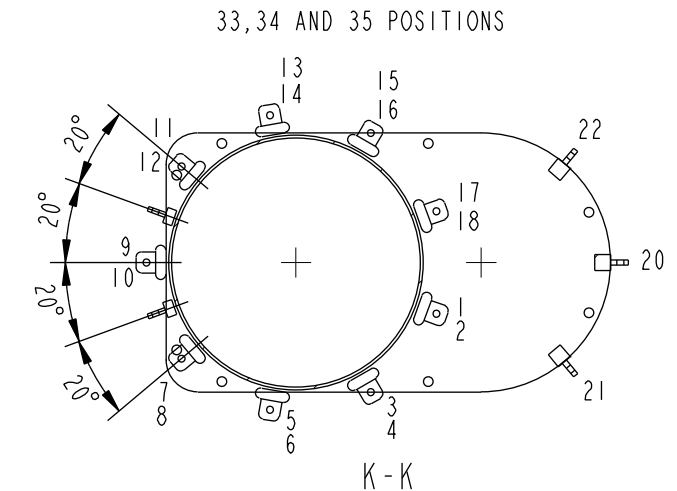
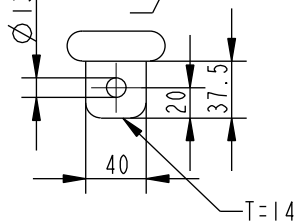
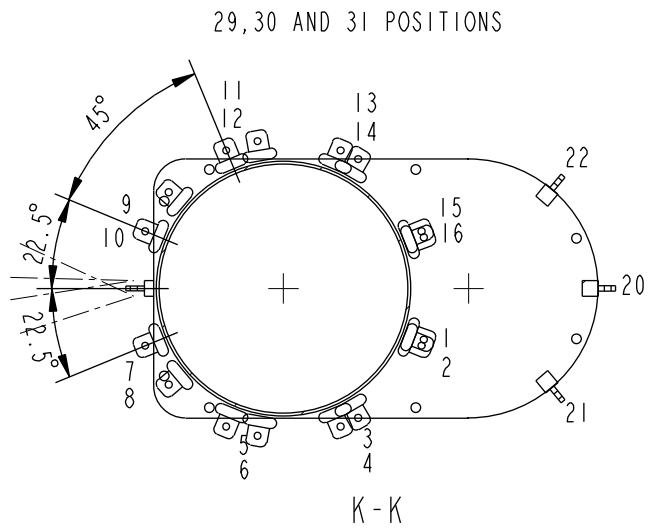
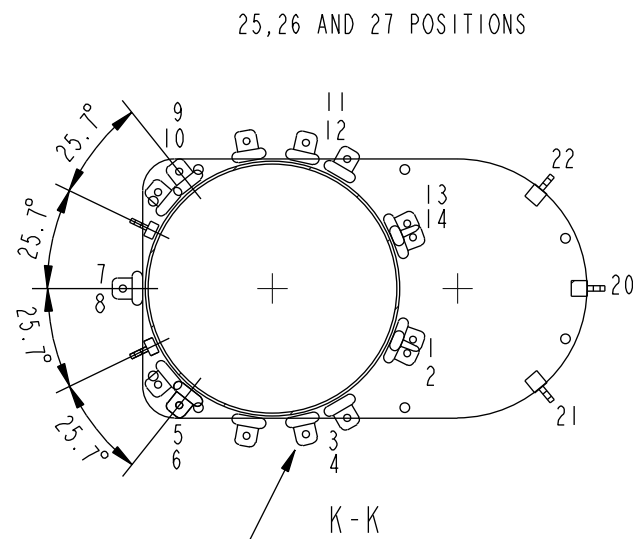
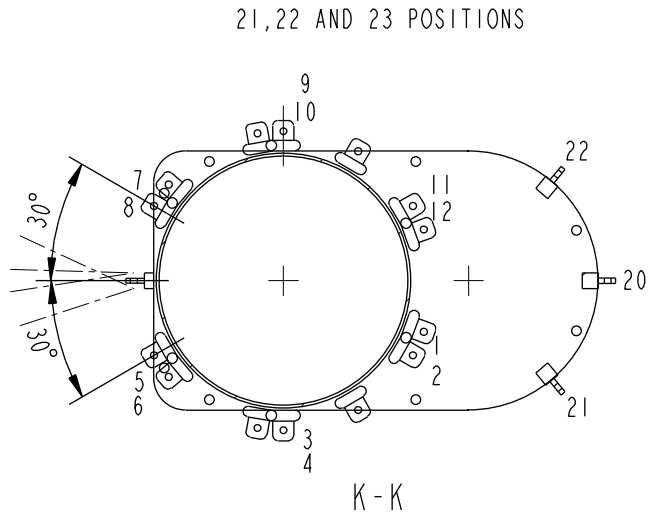
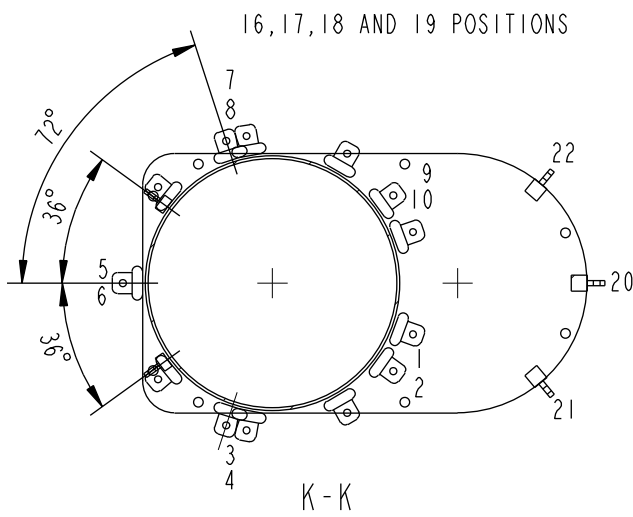
Based on	Reg. No.	Title TAP-CHANGER UCDR AND UCDD UCD.E XXXX/1000/III	 Language en	
Prepared T Sapila 96-08-21	Responsible department COM/TK			Page 2(3)
Approved M Eriksson	Take over department			
Revision Rev.3 06-10-05	Database DIMENSION_DWGS			Document No. 54920091-8
 ABB Components				

We reserve all rights in this document and in the information contained therein. Reproduction, use or disclosure to third parties without express authority is strictly forbidden.
©ABB

Production engineering review

Design engineering review

Inspection engineering review



ADDITIONAL DRAWINGS:
 Connection Diagrams: See Technical Guide UC
 Mounting on active part: 54920087-1
 Top Section, Accessories: 54920087-2
 Motor Drive BUL: 54830001-1
 Motor Drive BUE: 54830001-2 or -3
 External Drive Shaft: 54920083-4
 Pressure Relay: 54920083-2
 Bevel Gear: 54920083-1

Based on	Reg. No.	Title TAP-CHANGER UCDR AND UCDD UCD.E XXXX/1000/III	 Language en	
Prepared T Sapila 96-08-21	Responsible department COM/TK			Page 3(3)
Approved M Eriksson	Take over department			
Revision Rev.3 06-10-05	Database DIMENSION_DWGS			
ABB Components		Document No. 54920091-8		