

1

2

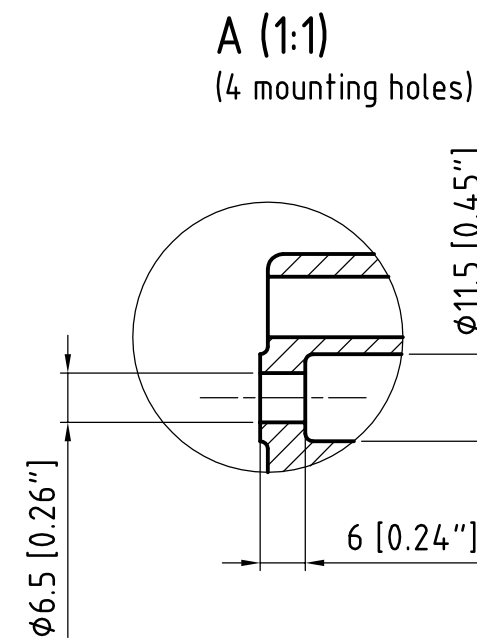
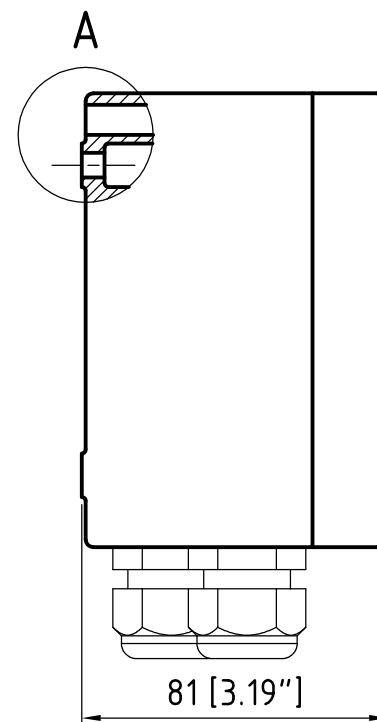
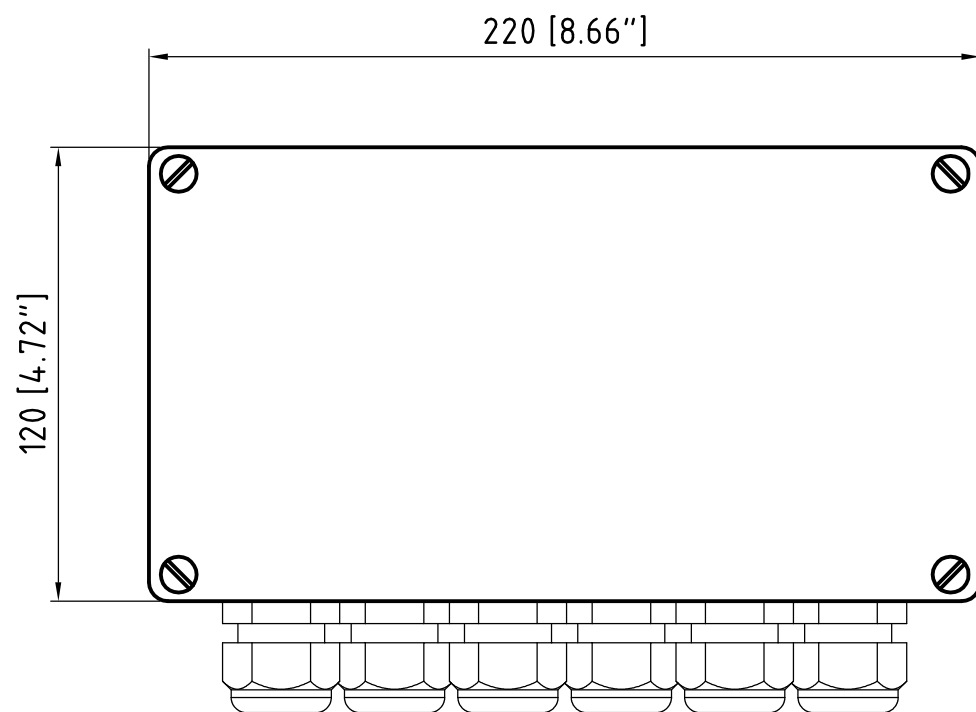
3

4

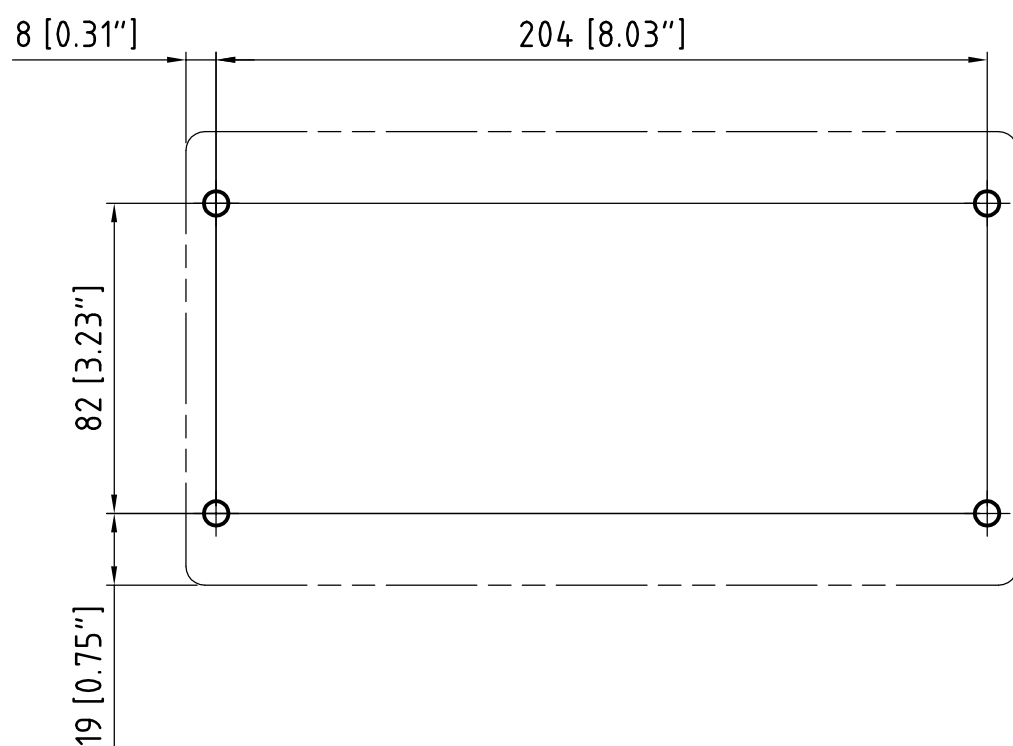
5

6

| REV | DESCRIPTION | DATE | DEPT./INIT. |
|-----|--------------|------------|----------------|
| - | New dokument | 2002-12-19 | ATCF/FM/GB/LEN |
| A | New template | 2013-04-23 | PAMP/FMGF/HM |



Mounting points
(hole picture)



mm [inch]

| | | | | | |
|-----------|-----------|------------------|------------|---|------------------------------------|
| Prep. | PAMP/FMGF | Hans Magnusson | 2013-04-23 | Dimension drawing Junction Box PFXC141 | Cont.sh./ No of sh. 1 |
| Appr. | PAMP/FMGF | Håkan F Wintzell | | | |
| Resp.dept | PAMP/FMGF | | | Junction Box PFXC141 | Sheet 1 |
| ABB AB | | | | Document number 3BSE029997D0064 | |
| | | | | Lang. en | Rev. A |

Product family : 661000 Tväranvänd FM
Product type designation : PFXC141
Product information :

Project or order number :
Customer reference :
Modify date :

Document status : Approved

We reserve all rights in this document and in the information contained therein. Reproduction, use or disclosure to third parties without express authority is strictly forbidden.
© ABB AB