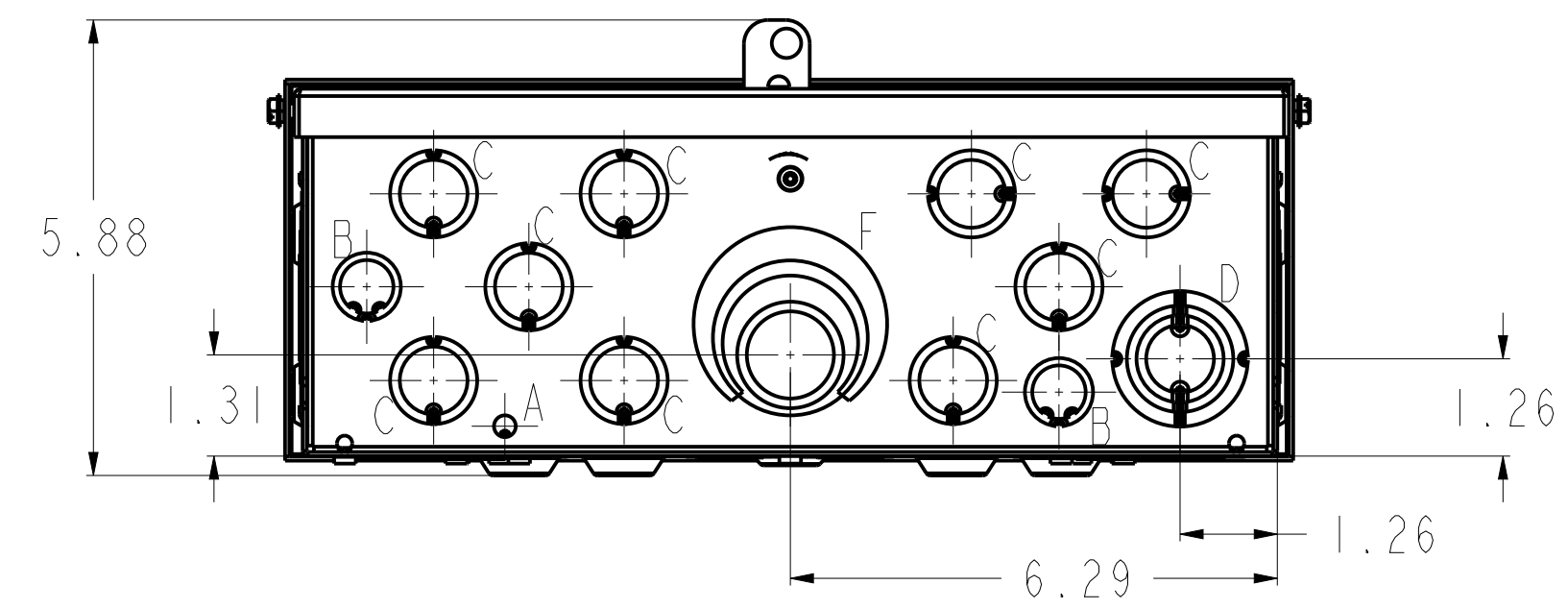
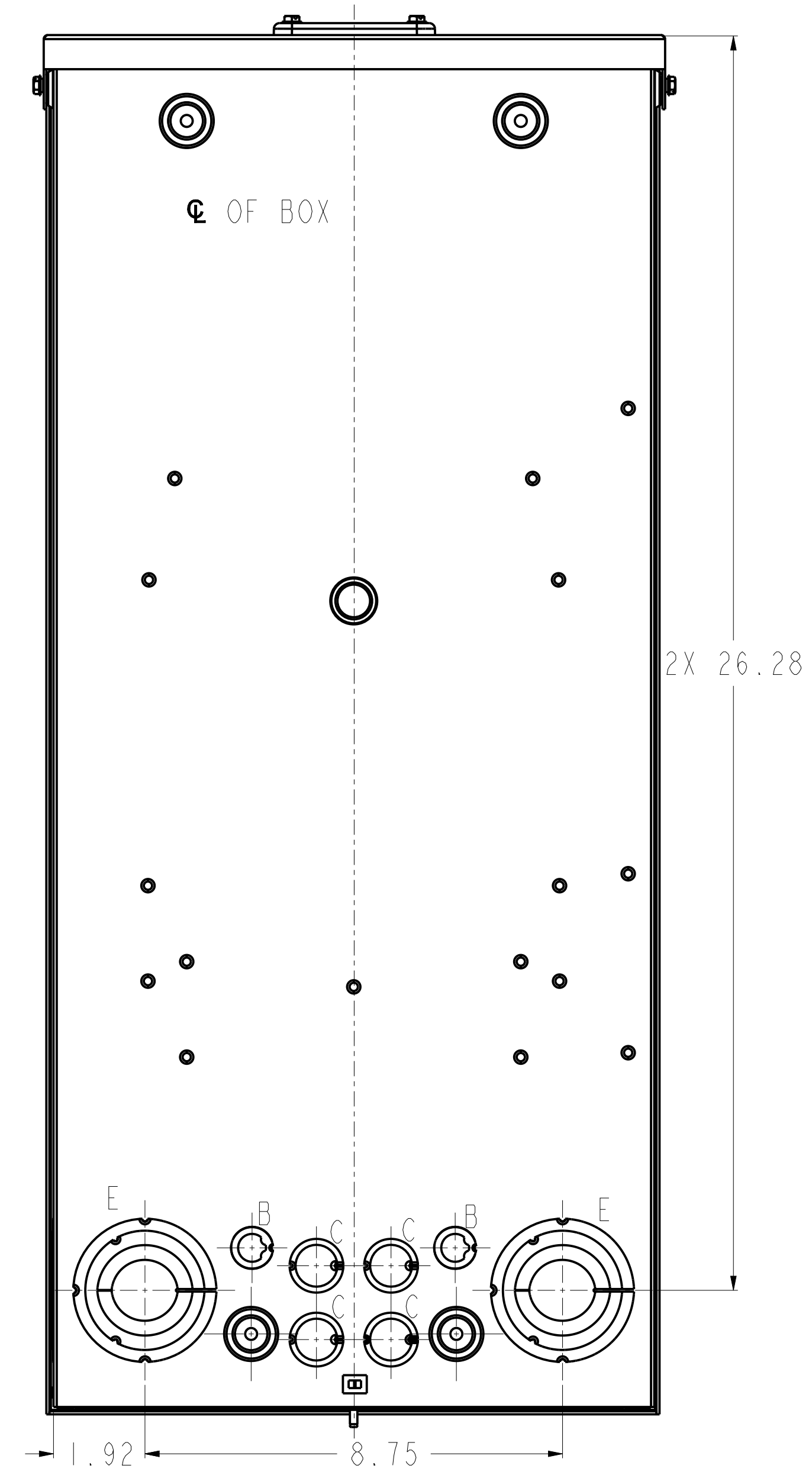
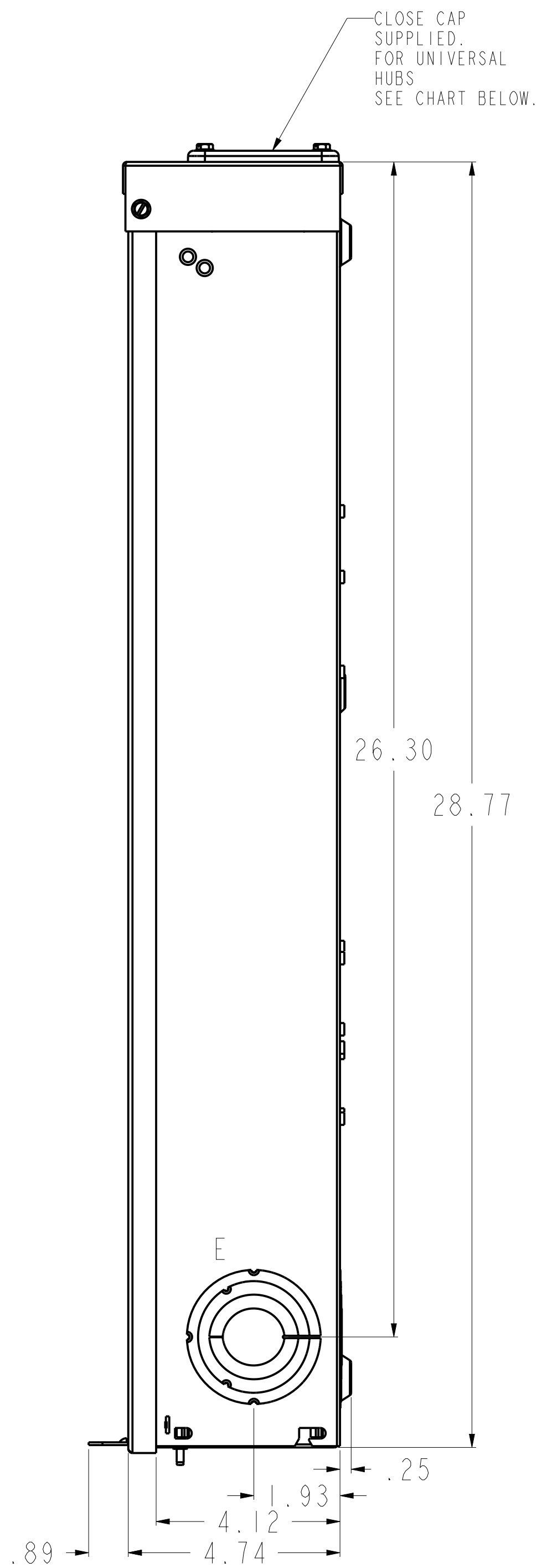
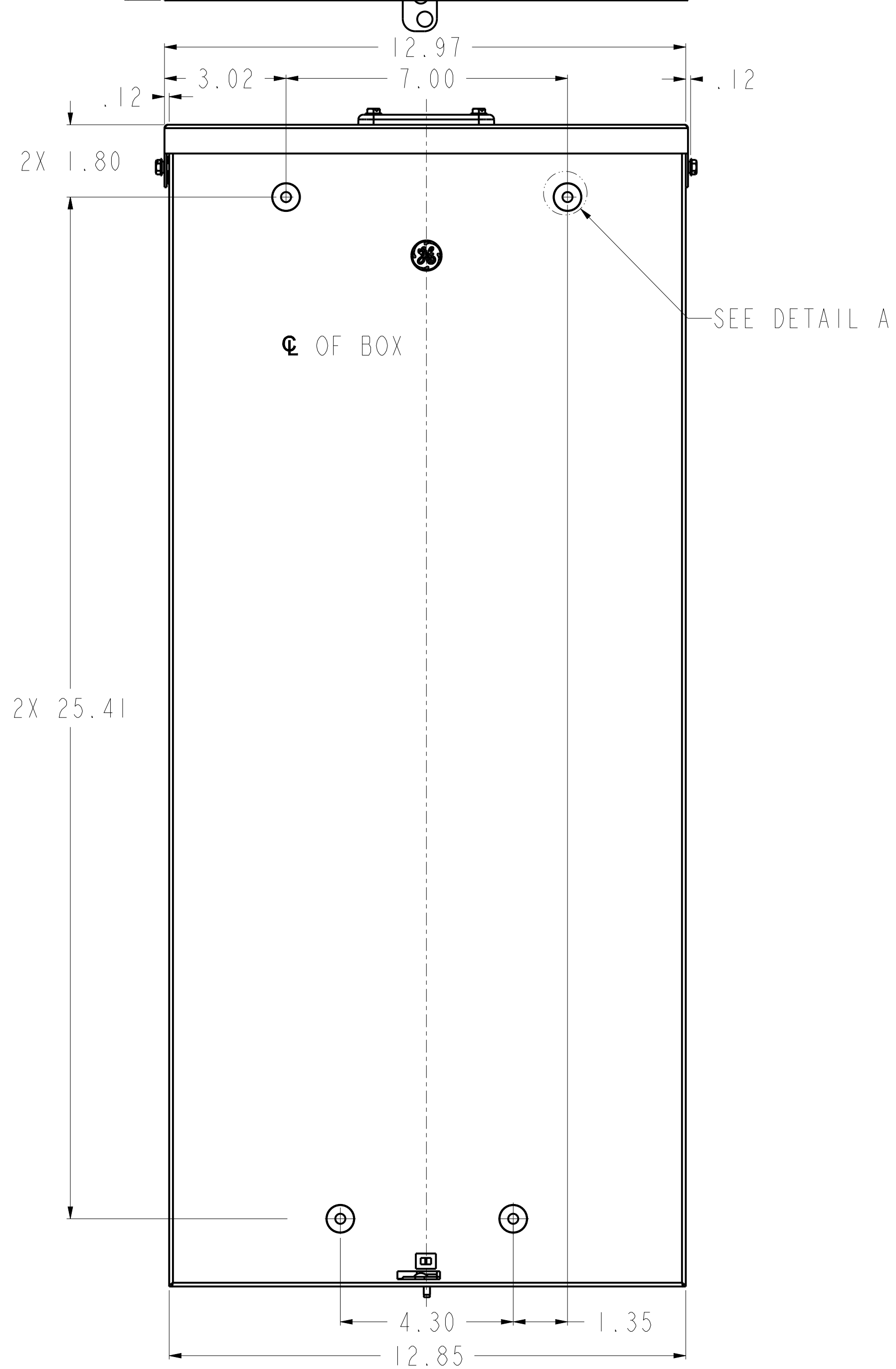
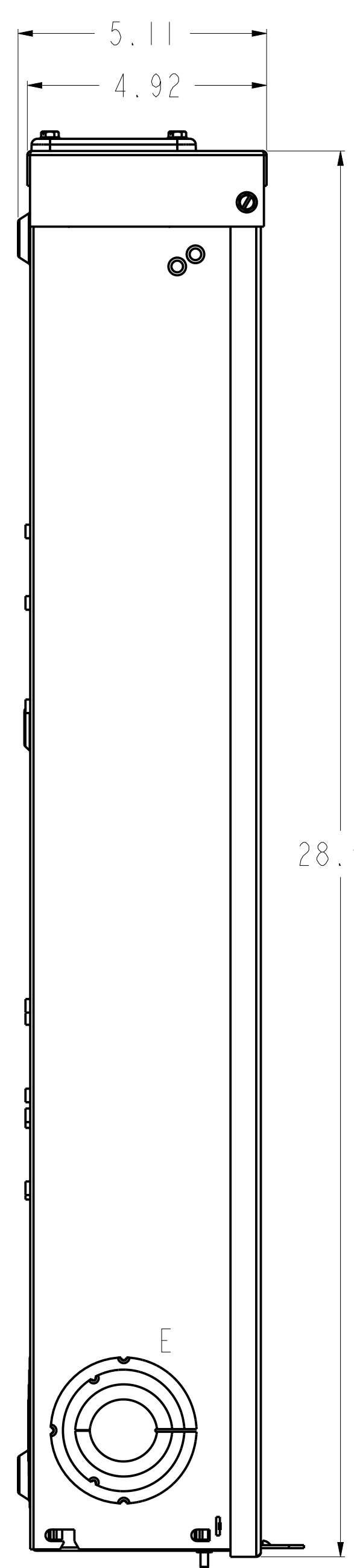
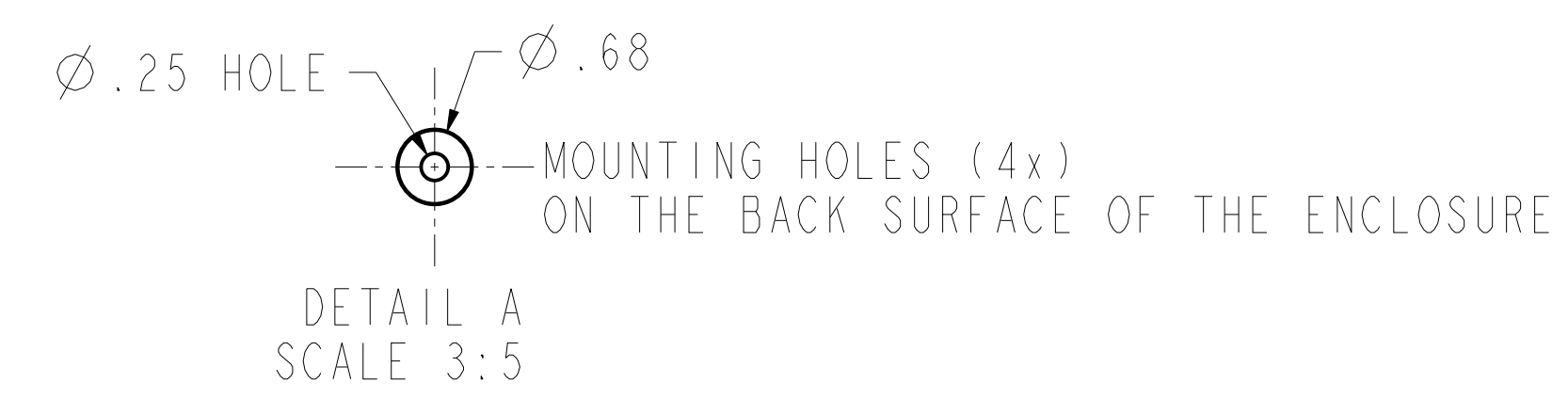
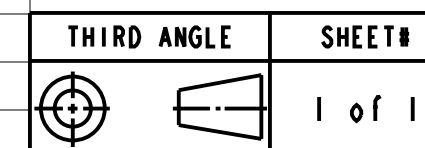


CAT NUMBER	DESCRIPTION	MODEL
PM815RFL	SUBFEED MAIN, 8 CIRCUIT, 100 AMP, NEMA 3R, CU BUS, PON	1
PM820RFL	SUBFEED MAIN, 8 CIRCUIT, 200 AMP NEMA 3R, CU BUS, PON	1



KNOCKOUT TABLE		
SYMBOL	SIZE	QTY
A	9/32 KO	1
B	3/8 X 1/2 KO	4
C	1/2 X 3/4 KO	13
D	1/2 X 3/4 X 1 X 1 1/4 KO	1
E	1 X 1 1/2 X 2 X 2 1/2 KO	4
F	1 X 1 1/2 X 2 KO	1

UNIVERSAL HUB	
CONDUIT SIZE	CATALOG NO.
3/4	TC75
1	TC100
1 1/4	TC125
1 1/2	TC150
2	TC200
2 1/2	TC250
CLOSING CAP	TCCP



ALL DIMENSION HAVE +/- .125 TOLERANCE

ABB

OUTLINE DRAWING 8 CKT 150/200 A
OUTDOOR LOAD CENTER ASM ENCLOSURE 28.7"

DWG NO.	DATE	REV
10103091SH272	31-Jan-22	1