


MEDIUM VOLTAGE PRODUCT

TDC 6

Indoor voltage transformers



Parameters	Values
Highest voltage for equipment	17.5 - 24 (25) kV
Power frequency test voltage, 1 min.	38 - 50 (55) kV
Lightning impulse test voltage	95 - 125 kV
Max. rated burden, classes	50/0.2 - 150/0.5 - 200/1 VA/cl

Description

The TDC 6 double-pole insulated voltage transformers are cast in epoxy resin and designed mostly for insulation voltages of 17.5 kV to 24 kV.

If no other value is required the transformers are manufactured with a voltage factor of $1.2 \times U_n$. All the parts of the primary winding of the transformer are insulated from the earth, including the terminals, to an insulation level identical with the rated insulation level. When operating in a three-phase system the primary inlets of the transformer are connected across the respective lines, to the phase-to-phase voltage, mostly in the „V“ type of connection. The majority of the transformers is equipped with one secondary winding, intended to be used for either the measurement or protection purposes. One of the terminals of each secondary winding has to be earthed during the transformer operation. If not required otherwise, the secondary winding is lead out into a cast secondary terminal board.

The transformer may be mounted in any position. The transformers are fixed by four screws, The M8 bolted earthing clamp is located on the transformer base plate. The secondary, sealable terminal board is covered with a transparent cover made of plastic material.

Rated primary voltages

11 kV; 15 kV; 20 kV; 22 kV

Other primary voltages based upon customer's request may be delivered, too.

Rated secondary voltages

100 V; 110 V – 0.2; 0.5; and 1 accuracy classes (measuring winding), or 3P; 6P (protection winding)

Other secondary voltages based upon customer's request may be delivered, too.

Rated frequency

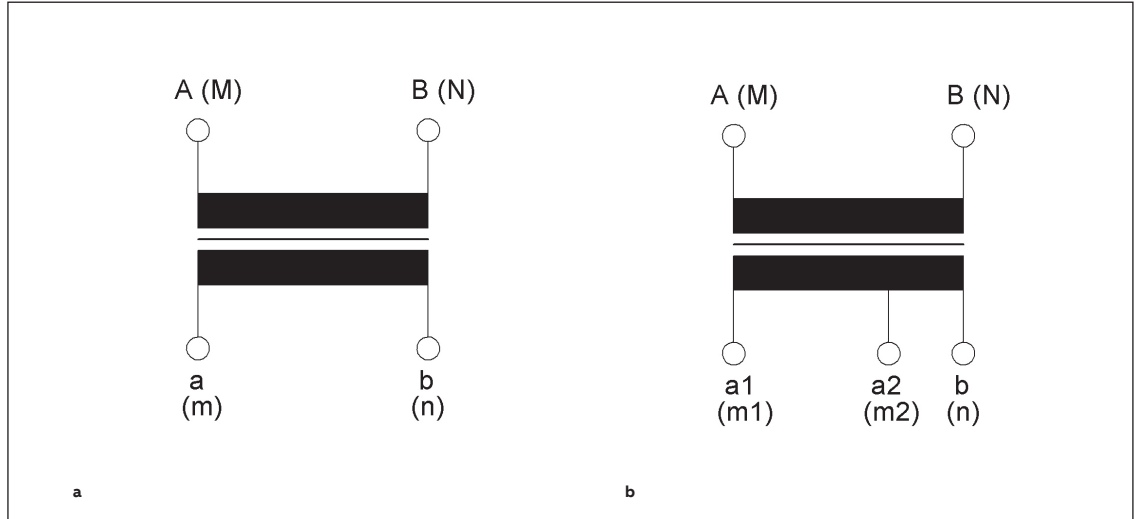
50 Hz; 60 Hz.

Design for two primary voltages is also possible, based on a consultancy to be conducted with the manufacturer (change over secondary side).

The transformers are manufactured and delivered conformably to the requirements and recommendations of the following standards and regulations: IEC, VDE, IEEE, BS, GOST and CSN.

For marking of the voltage transformer outlets see picture 01 a-b.

—
01 Marking of the
voltage trans-
formers outlets
a Double-pole insu-
lated transformer
b Double-pole insulated
transformer with a tap



—
01

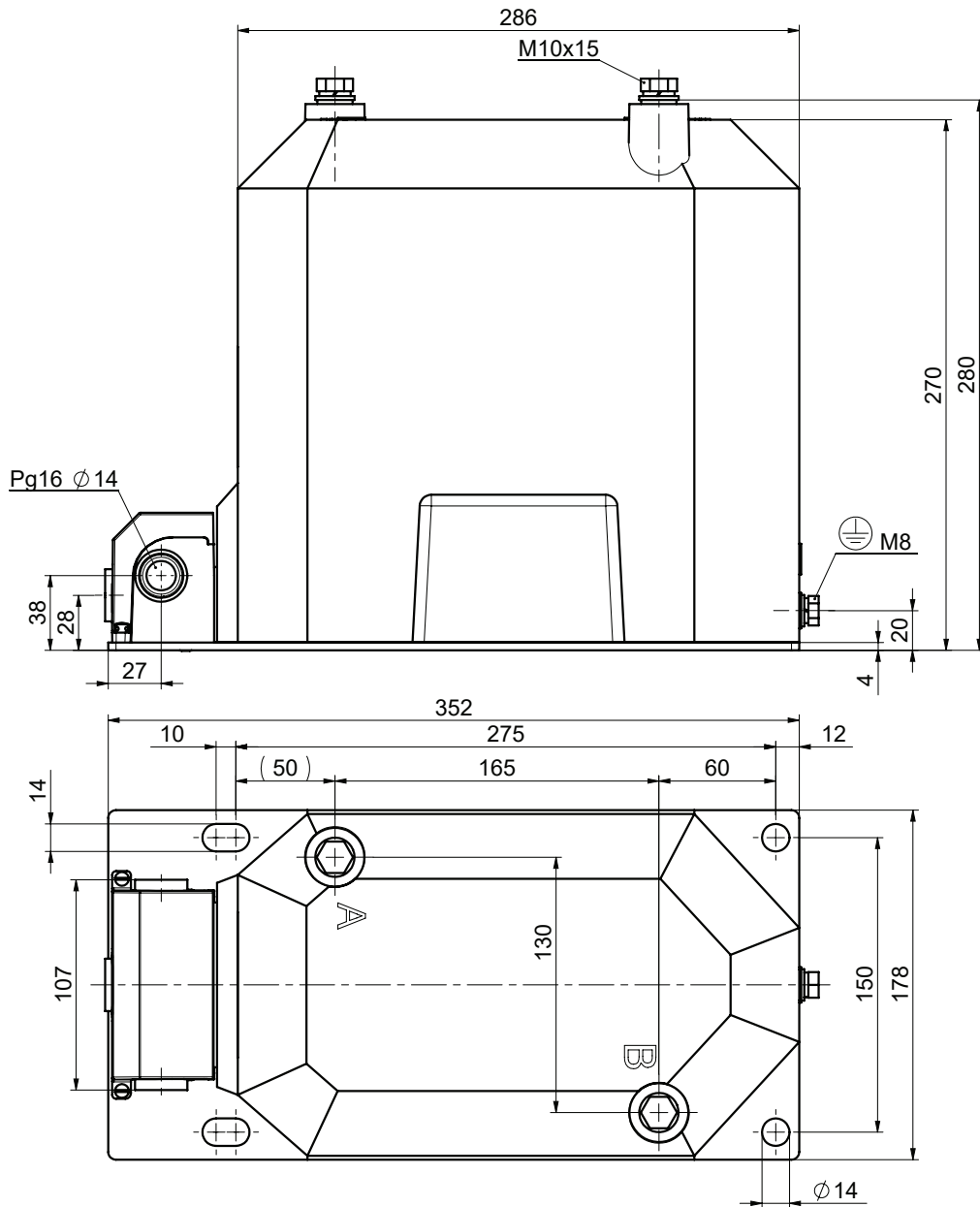
Standardized transformers

Primary voltage [V]	Secondary voltage		
	voltage [V]	accuracy	burden [VA]
15 000	100	0.2	10;15;25
15 000	110	0.2	10;15;25
15 000	100	0.5	15;25;50
15 000	110	0.5	15;25;50
15 000	100	1	50;75;100
15 000	110	1	50;75;100
20 000	100	0.2	10;15;25
20 000	110	0.2	10;15;25
20 000	100	0.5	15;25;50
20 000	110	0.5	15;25;50
20 000	100	1	50;75;100
20 000	110	1	50;75;100
22 000	100	0.2	10;15;25
22 000	110	0.2	10;15;25
22 000	100	0.5	15;25;50
22 000	110	0.5	15;25;50
22 000	100	1	50;75;100
22 000	110	1	50;75;100

Dimensional Drawing

TDC

Weight: appr. 38 kg
Creepage Distance A-B: 210 mm
Creepage Distance A(B)- \perp : 285 mm



Drawing n.
44203600

CONTACT US

ABB s.r.o.
ELDS Brno
Videnska 117, 619 00 Brno,
Czech Republic
Tel.: +420 547 152 021
+420 547 152 854
Fax: +420 547 152 626
E-mail: kontakt@cz.abb.com

NOTE

We reserve the right to make technical changes or modify the contents of this document without prior notice. With regard to purchase orders, the agreed particulars shall prevail. ABB does not accept any responsibility whatsoever for potential errors or possible lack of information in this document.

We reserve all rights in this document and in the subject matter and illustrations contained therein. Any reproduction, disclosure to third parties or utilization of its contents - in whole or in parts - is forbidden without prior written consent of ABB.

Copyright© 2021 ABB
All rights reserved.