

NOTES:

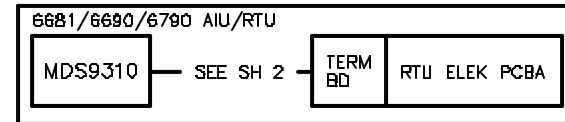
1. MAXIMUM BAUD RATE IS 4800 (RS232)  
MAXIMUM BAUD RATE IS 2400 (RS485)
2. MDS9310 SUPPORTS 1 STOP BIT.  
SPECIAL EXPANDED I/O OR VCI  
EPROM REQUIRED.
3. EXTERNAL POWER REQUIRED,  
RECEIVER MUST BE ON AT ALL TIMES.

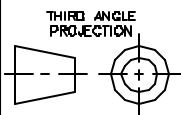

4 INSTRUCTIONS FOR USING THIS DOCUMENT:  
SELECT APPROPRIATE DRAWING FROM "REFERENCE INDEX" PAGE 1.  
SELECT THE DIAGRAM WHICH MATCHES YOUR CONFIGURATION  
AND GO TO THE SPECIFIED SHEET NUMBER.

5 GLOSSARY OF TERMS

REVISIONS					
REV	ACTION	DRAWN	CHECKED	APPROVED	DATE
AA	L4706	KASTNER	KASTNER	HOLLAND	97/08/22
AB	D12439	KASTNER	KASTNER	HOLLAND	01/12/14

4 **REFERENCE INDEX**

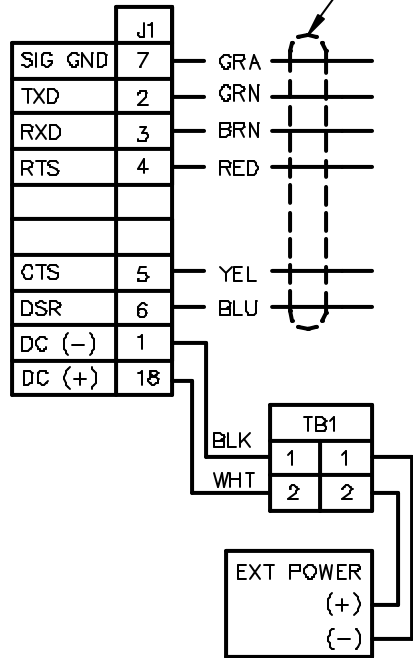


ASSEMBLY/QUANTITY	ITEM NO.	PART NUMBER	DESCRIPTION	REF/ZONE DESIG MATERIAL	UNIT MEAS
<b>PARTS LIST</b>					
DO NOT SCALE DRAWING  THIRD ANGLE PROJECTION	UNLESS OTHERWISE SPECIFIED DIMENSIONS ARE IN INCHES TOLERANCES ARE: DECIMAL      ANGULAR .XX ±      ---      ± --- .XXX ±      ---      ---	PRODUCT LINE <b>TOTALFLOW</b>	LEVEL <b>3</b>	 <b>TOTALFLOW Products</b>	
		DESIGN G. HOLLAND	DATE 97/9	TITLE <b>WIRING &amp; INTERCONNECT                      MDS9310 IN AIU/RTU</b>	
		DRAWN KASTNER	DATE 97/9/10		
		CHECKED KASTNER	DATE 97/9/22		
		APPROVED G. HOLLAND	DATE 07/8/22	SCALE <b>NONE</b>	SIZE <b>B</b>
				PFC <b>WI</b>	DRAWING ID. <b>2017415 AB</b>
				REV <b>1</b>	SHEET <b>1 of 3</b>

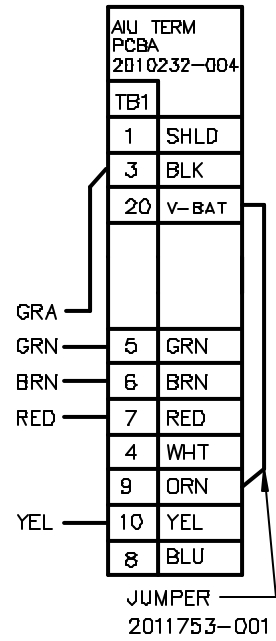
6681/6690/6790

MDS9310

RADIO MDS9310



A.I.U. (6681)  
R.T.U. (6690)





### GLOSSARY OF TERMS

PART NUMBER	TITLE	DEFINITION
<b>2012630-004/007</b>	UCI RADIO	UNIVERSAL COMMUNICATIONS INTERFACE (UCI) . USED TO INTERFACE RADIO EQUIPMENT WITH TOTALFLOW HARDWARE. (CAN CONVERT RS-232 TO RS-485, RS-485 TO MODTONES OR RS-232 TO MODTONE SIGNALS) MODEM SUPPORTS FSK MODULATION AT 1200 BAUD ONLY.
	6690 RTU	STAND-ALONE REMOTE TERMINAL UNIT IN CAST ALUMINUM CASE
	6790 RTU	STAND-ALONE REMOTE TERMINAL UNIT IN LIGHT WEIGHT ALUMINUM CASE
	MDS9310 W/MODEM	TOTALFLOW PART NUMBER FOR MICROWAVE DATA SYSTEMS (MDS) SPREAD SPECTRUM TRANSCIVER WITH INTERNAL 4800 BAUD MODEM