



Catalogue | May 2015

EasyLine XLP

Fuse Switch Disconnecter 1-2-3-4 pole

Contents

Introduction	1
Overview 1-pole	2
Overview 2-pole	3
Overview 3-pole	4
Overview 4-pole	5
Electronic Fuse Monitoring	6
Busbar Adapters	7
Cable clamps & bolts	8
Technical Data	9
Ordering tables	10
Dimensional drawings	11

Introduction

1

Fuse protection - Easy and reliable

The fuse is a superior short circuit protection element regarding the maximum allowed cut-off current (peak let through current) and energy value.

This is more important the higher the voltage and prospective fault levels are. The SlimLine switch disconnector fuse fulfill the highest requirements for modern switch fuses with a total safety concept. The switch fuses are tested according to the EN 60947-3 standard with more stringent requirements for isolation, making, performance and safety. The fuse rails are tested according to IEC 60269-2-1.

The melting curves and current limiting diagrams for NH fuse links are given in the IEC 269-2 standard. The standardised fuse characteristics and high degree of current limitation ensure that there is a simple and effective co-ordination with fuse links and other devices.

Fuse links provide a simple procedure for selecting the right fuse type for your installation, without complicated calculations or calculation tools. Fuses prevent “blackouts”. Only the fuse nearest a fault trips without upstream fuses (feeders or mins) being affected. Fuses thus provide selective coordination.

When more power is needed in an installation, more feeders can be added without changing the present structure or any new selectivity calculations. Fuse links will assure selectivity in the installation by 1,6:1 difference in the rated current.

Economical installation

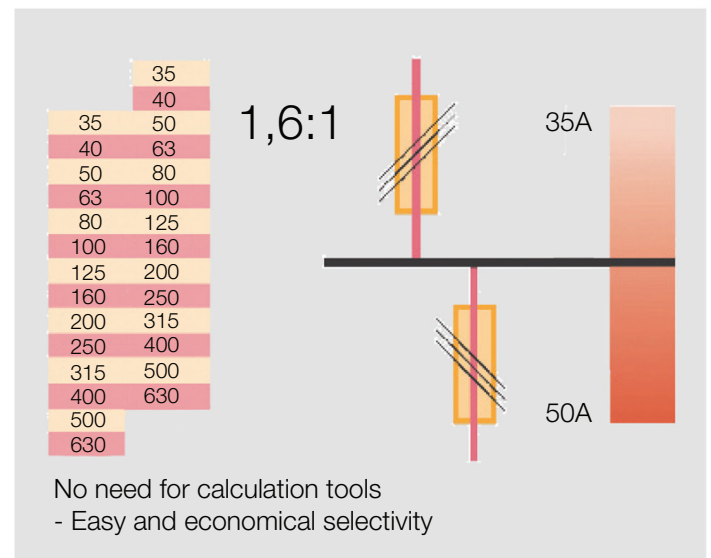
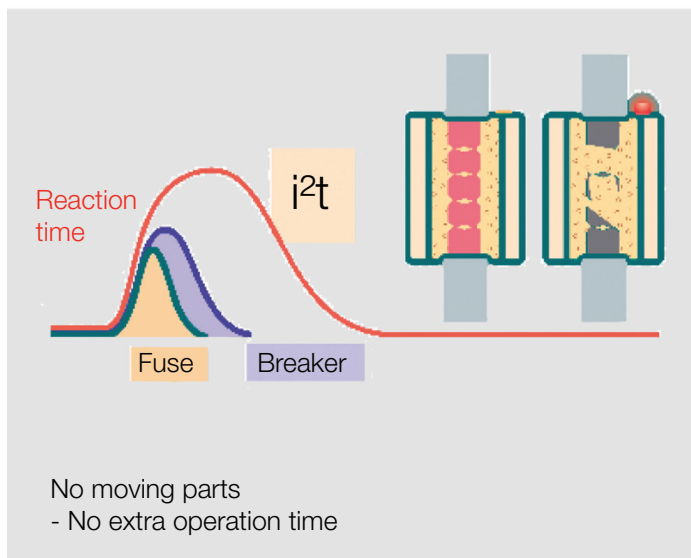
Lifetime costs of fuse systems are low. Fuse links which can withstand a high fault level and a fault current, are available at economical prices.

After fuse operation, only the fuse link has to be changed. Because the fuse links can be rapidly and easily replaced, plant down time and maintenance are substantially reduced with a fuse link system.

Because the fusing elements operate in a cylinder, they are not affected by their surroundings. Thus their protecting characteristics remain stable year after year. The dynamic stress on the network and its equipment is dependent of the let through energy (i^2t) at a short circuit. The fuse link provides the best protection compared to other solutions, at high short circuit currents.

As the fuse link body is filled with quartz sand, there will be no emission of gases or arcs when a short circuit occurs. This again leads to less stress on the network and a higher degree of personal safety.

- Economical installation
- Easy and economical selectivity
- No need for calculation tools
- No need to change the present structure when power is needed
- No moving parts
- No extra operation time
- No arc space
- No emission of gasses at short circuits



Introduction



1

The EasyLine family consist of 1, 2, 3 and 4 pole solutions, rated from 100A - 630A.

All units are applicable for AC Voltage, and the 1-pole and 2-pole range are also rated for DC voltage.

In addition to be used as single apparatus, the 3-pole range from size 00 to size 3 (160A - 630A) are also designed to be used in distribution systems by use of a busbar adapter for easy installation. The Busbar adapters are available for 40mm, and 60mm distance in-between centre of the phases for each busbarsystems. The whole EasyLine range got a sturdy, uniform design that is operator friendly and safe with IP 30 from front in closed position and IP 20 in open position.

EasyLine Fuse Switch Disconnectors are developed and type tested according to IEC60947-3 and based on a long history, going back to 1958 when we successfully introduced the manually dependent operated LHB.

- All variants of poles are available in the different sizes: NH00/160A, NH1/250A, NH2/400A and NH3/630A.
- The XLP 1-pole and 2-pole: Rated operational vottage: 220-440VDC / -690VAC
- The XLP 4-pole: Rated operational vottage: 500VAC

Introduction

1

Features of the EasyLine - XLP:

- All the XLP cable terminals can be delivered with integrated bolts for cable lugs or with integrated bridge clamps (BC) for easy direct cable connection.
- Compact XLP000
- Typetested according to EN60947-3
- Fullfills BGV A2
- Easy to recycle / EN14001 standards
- Quick-make operation device
- Integrated IP20 cable termination
- IP30 degree of protection from the front
- Replacement compatible to similar types in the market
- Voltage measuring from the front
- V-0 plastic materials

Advantages of the EasyLine - XLP:

- Easy to install
- Easy to operate
- Functional and modern design
- Sturdy design
- High personal safety
- Wide range of cable terminals and snap-on accessories
- Compact, add-on Electronic Fuse Monitoring (EFM)
- Busbar adapters



Overview 1-pole

XLP 1-pole

- Rated operational voltage: 220VDC / -690VAC
- Rated operational current: 160 - 630A
- Micro auxillary switches, 1 or 2 pcs per pole
- Single cable shroud per phase
- Cable clamps
- Front frames
- Padlocking
- Sealing facility

Application

- UPS: Uninterruptible Power Supply, used for the power supply for computer/servers, storage devices, communication network systems, industry control systems, etc.
- Telecom Power Supplies.
- General protection in smaller distribution panels using 1-pole or 2-pole configurations AC or DC.



Overview 2-pole

XLP 2-pole

- Rated operational voltage: 220 - 440VDC / -690VAC
- Rated operational current: 160 - 630A
- Micro auxillary switches, 1 or 2 pcs per pole
- Single cable shroud per phase
- Cable clamps
- Front frames
- Padlocking
- Sealing facility

3

Application

- UPS: Uninterruptible Power Supply, used for the power supply for computer/servers, storage devices, communication network systems, industry control systems, etc.
- Telecom Power Supplies.
- General protection in smaller distribution panels using 1-pole or 2-pole configurations AC or DC.



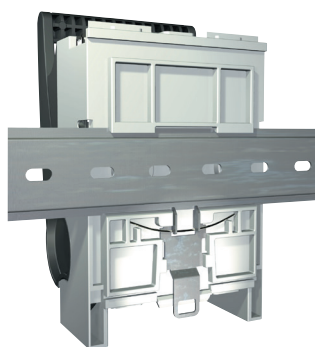
Overview 3-pole

XLP000

- Compact design for NH 00 compact fuses up to 100 A (width = 21mm)
- Modern integrated cable clamps for 1,5 - 35 mm² cables
- Integrated cable shrouds IP 20
- Snap on for DIN rail mounting (accessory)
- Front frames for 1 - 3 apparatus (accessory)
- Micro auxiliary switches, 1 or 2 pcs (accessory)
- Sealing facility



Front frames for 1-3 apparatuses

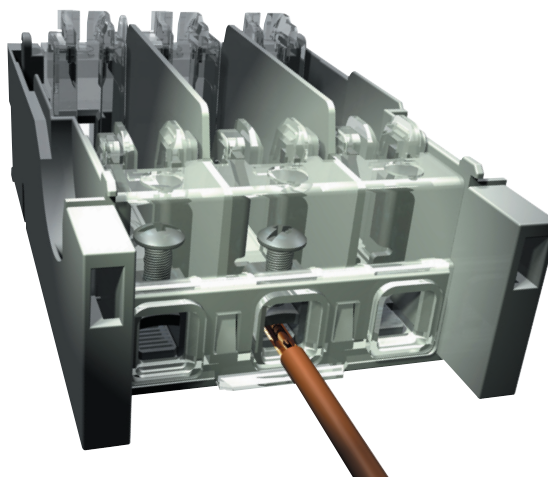


DIN rail mounting



Sealing facility

Voltage measurement



Integrated cable clamps for 1,5 - 35 mm² cables

Overview 3-pole

XLP00

- Electronic fuse monitoring (EFM)
- Micro auxilliary switches, 1 or 2 pcs
- Auxilliary switches, 1 NO or 1 NC acc. to IEC 60947-5-1
- Cable shrouds
- Front frames for 1 - 3 apparatus
- Wide range of cable terminal clamps (See page 13 and 14)
- Kit for double DIN rail mounting
- Adapter for 40 and 60 mm busbar distance
- Padlocking facility
- Sealing facility

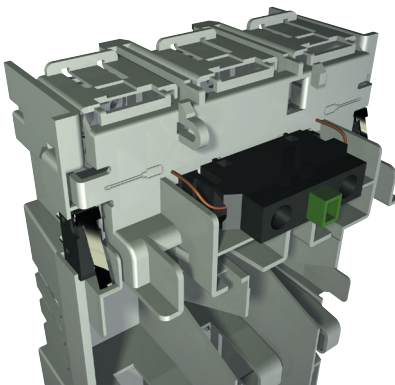
4



Padlocking and Sealing facilities



Electronic fuse monitoring showing detail for remote signaling



Micro auxiliary switch on the sides.
Auxiliary switch NO or NC in the front



Cable shrouds

Overview 3-pole

XLP1, XLP2 and XLP3

- Electronic fuse monitoring (EFM)
- Micro auxilliary switches, 1 or 2 pcs
- Auxilliary switches, 1 NO or 1 NC acc. to IEC 60947-5-1
- Cable shrouds
- Front frames
- Wide range of cable terminal clamps (See page 13 and 14)
- Adapter for 40mm (only XLP1) and 60mm busbar distance
- Padlocking facility
- Sealing facility



Overview 4-pole

XLP 4-pole

- Rated operational voltage: 550VAC
- Rated operational current: 160 - 630A
- Micro auxillary switches, 1 or 2 pcs per pole
- Single cable shroud per phase
- Cable clamps
- Front frames
- Padlocking
- Sealing facility

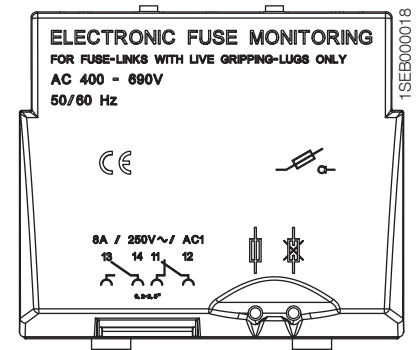
5 Application

- General fuse protection in 4-pole power supply networks with switching neutral.
- Secondary power generators from public networks



Electronic Fuse Monitoring 3-pole

The Electronic Fuse Monitoring (EFM) is a fuse blown indication device. The EFM unit has an integrated potential free relay (1NO, 1NC) for remote signal/alarm. It will be automatically reset after the blown fuse has been replaced and the green LED turns on again.



The matrix below show all possible cases of indication

Fuse status	Relay contacts	
	Green	Red
1. Closed		
Fuses OK		
Fuses BLOWN		
2. Open		
Fuses OK		
Fuses BLOWN		

Power supply to the EFM unit from phase L2 and L3

The fuse monitor is connected to the gripping lugs of the fuses.

- NOTE :
- NH fuses with insulated gripping lugs can not be used.
 - The EFM unit requires that the supply side of the XLP should be on top of the switch.

Technical data:	
Min. operation voltage	290V -10%
Max. operation voltage	690V +10%
Operation temp. range	-25/+80C
Operation time	< 2 sec.
Power consumption	< 3VA
Uimp. over a blown fuse	12,3kV
Uimp. between phases	9,8kV
Uimp. between main circuit / relay contacts	9,8kV
Dielectric test voltage input/output	3,5kV / 50Hz / 1 minute
Electrostatic Discharge	EN 61000-4-2 +- 4kV
Electrical Fast Transient	EN 61000-4-4 +- 4kV
Conducted Fast Transient	EN 61000-4-6 10Vrms/150kHz-80MHz
Recommended cable size	AWG 22-12/0,2-2,5mm ²
EMC tested	Yes
Relay:	
Nominal current	8A
Max. switching voltage	240VAC, 24VDC



Busbar Adapters

60mm for XLP00, XLP1, XLP2 and XLP3



7

60mm busbar system

Designed for 60 mm busbar distance

XLP00 and XLP1 use busbar Cu/Al 5 or 10mm x 10-30mm. 3 pieces of distance shoes for 5 mm busbars are included with the adapter.

For XLP2 and XLP3 use busbar Cu/Al 5-10mm x 10-30mm. The adapters are available for cable connection above (A) or cable connection below (B).

Distribution system for standard Busbars type SF-60

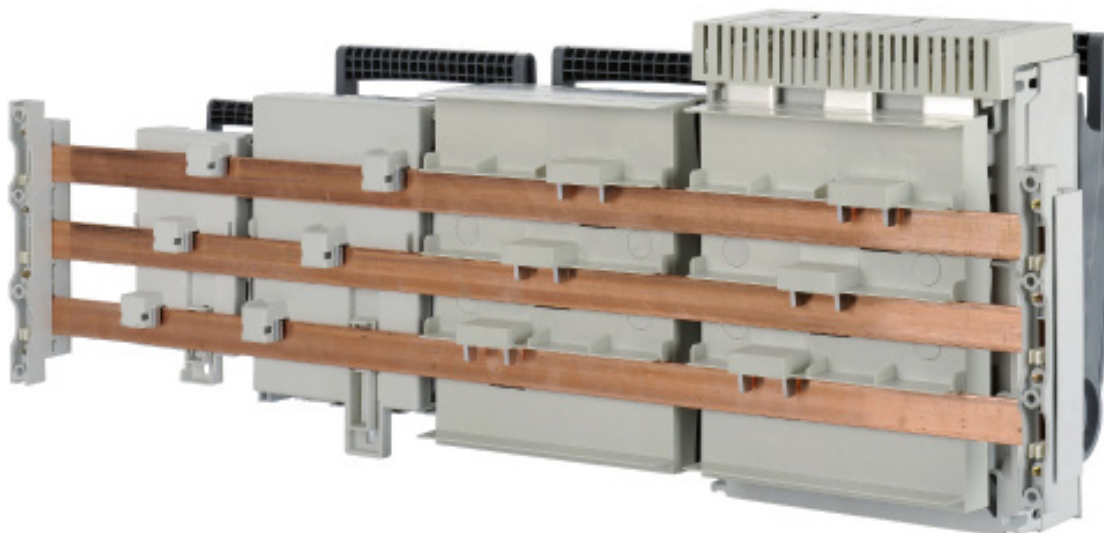
The busbar system type SF-60 is designed to take busbars of different cross sections, and it is type tested to VDE-0660, section 50 and IEC 439-1.

The SF-60 Busbar system features

Busbar width	10 - 30 mm
Busbar thickness	5 or 10 mm
Centre distance between busbars	60 mm

Cable connection supply module

Electrical data	690V / 440A
Cable connections	Al/Cu 35 - 120mm ²
Dimension (W x H x D)	81 x 200 x 84 mm



Busbar Adapters

40mm for XLP00 and XLP1

40mm busbar system

Cu 12 x 5mm or 12 x 10mm.

Adapter 95 mm depth to busbars: A 40/95

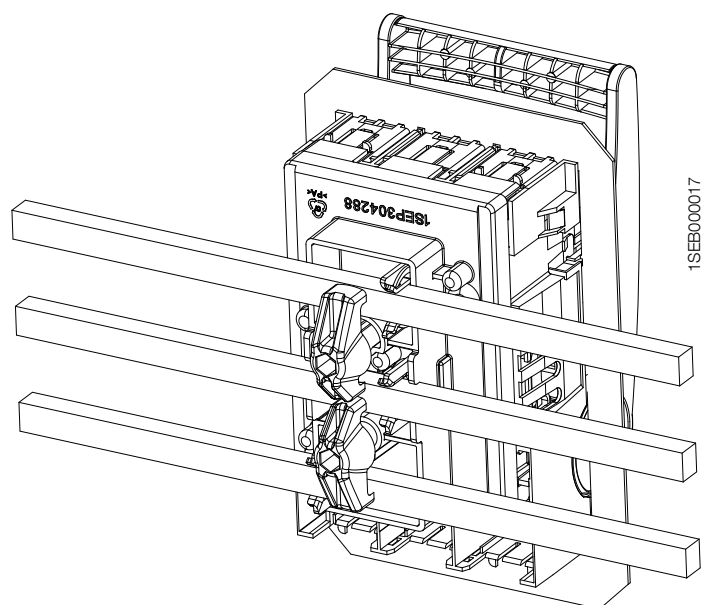
40 mm Busbar system for Striebel & John switchboards

Specially designed for the Striebel & John Busbar system 250A and 360A.

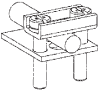
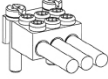
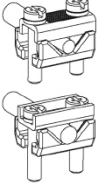
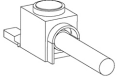
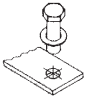

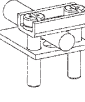
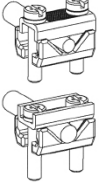
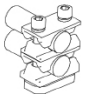
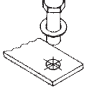
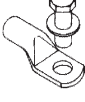
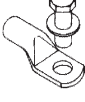
Cu 12x5 or 12x10 mm.

Adapter 75 mm depth to busbars, cable connection below: A 40/75

Adapter 120 mm depth to busbars, cable connection below: A 40/120



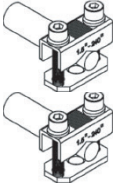
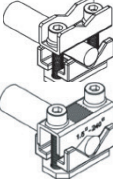
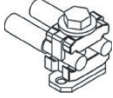
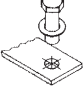


Cable clamps & bolts

Type of clamp/bolt	Conductor cross section min-max					Order code
	Busbars height/weight (mm ²)	Conductor flexible (mm ²)	Rm/Sm (mm ²)	Re/Se (mm ²)	Torque (Nm) ¹⁾	
XLP000 Cage clamp (CC)		1,5 - 25	1,5 - 35	1,5 - 35	3,2	Incl. in the switch
 XLP00 Bridge clamp (BC)		1,5 - 35	1,5 - 50	1,5 - 50	3,5	1SEP407733R0001
 XLP00 Trippel clamp (TC)		1,0 - 10	1,0 - 10	1,0 - 10	3,5	1SEP407787R0001
 XLP00 Single prism clamp (SPC)		1,5 - 16	1,5 - 16	1,5 - 16	3,5	1SEP407732R0001
		25 - 50	25 - 70	25 - 70		
 XLP00 Feeding clamp (FC) for XLP00 - 6BC		25 - 70	25 - 95	25 - 95	10	1SEP407811R0001
 Bolt M8x16 DIN933	20 x 4				10	NHP 400940R0006
 Bolt M8x16 DIN933 Cable lug DIN46234		10 - 95	10 - 95	10 - 95		
 Bolt M8x16 DIN933 Cable lug DIN46235		16 - 70	16 - 70	16 - 70		
XLP1 Bridge clamp (BC)	19 x 10	16 - 70	16 - 95	16 - 95	10	1SEP407733R0002
 XLP1 Single prism clamp (SPC)		16 - 70	16 - 95	16 - 95	10	1SEP407732R0002
		95 - 150	95 - 150 ²⁾	95 - 150		
 XLP1 Double prism clamp (DPC)		2x70 - 2x95	2x70 - 2x150	2x70 - 2x150	10	NHP 403631R0002
 Bolt M10x20 DIN933	40 x 10				16	NHP 403625R0001
 Bolt M10x20 DIN933 Cable lug DIN46234		10 - 240	10 - 240	10 - 240		
 Bolt M10x20 DIN933 Cable lug DIN46234		16 - 240	16 - 240	16 - 240		

1) For correct Torque (Nm) values, study the installation description delivered with the devices

2) The Sm (sector shaped stranded) 150mm² have to be round formed before inserted in the Prism clamp

Cable clamps & bolts

Type of clamp/bolt	Conductor cross section min-max				Torque (Nm) ¹⁾	Order code
	Busbars height/weight (mm2)	Conductor flexible (mm2)	Rm/Sm (mm2)	Re/Se (mm2)		
 Bridge clamp (BC)	14 x 26	16-70 (M8x25) 300 (M8x40)	16-50 (M8x25) 185-300 (M8x40)	16-50 (M8x25) 185-300 (M8x40)	14	1SEP407953R0001
		70 - 240	50 - 185	50 - 185		
 Single prism clamp (SPC)		95 - 240	70 - 240	95 - 240	14	1SEP407954R0001
		25 - 95	35 - 70	50 - 70		
 Double Prism clamp (DPC)		2x35 - 2x120	2x35 - 2x150	2x35 - 2x50 2x50 - 2x185	22	1SEP407956R0001
 Bolt M12x30 DIN933	50 x 12				25	NHP 403626R0001
 Bolt M12x30 DIN933 Cable lug DIN46234		10 - 240	10 - 240	10 - 240		
 Bolt M12x30 DIN933 Cable lug DIN46235		16 - 300	16 - 300	16 - 300		

1) For correct Torque (Nm) values, study the installation description delivered with the devices

Type tested according to standard: EN IEC 60947-1 and DIN VDE 0295.

Explanations:

Flexible: Multi stranded

Re: Round solid

Se: Sector shaped solid

Rm: Round stranded

Sm: Sector shaped stranded

Technical Data

1-pole		XLP00			XLP1			XLP2			XLP3		
Rated operational voltage U_e AC	(V)	-	500	690	-	500	690	-	500	690	-	500	690
Rated operational voltage U_e DC	(V)	220	-	-	220	-	-	220	-	-	220	-	-
Rated operational current I_e	(A)	160	160	125	250	250	200	400	400	315	630	630	500
Thermal current with fuse-link I_{th}	(A)	160	160	160	250	250	250	400	400	-	630	630	-
Utilization category		DC22B	AC22B	AC21B	DC22B	AC22B	AC21B	DC22B	AC22B	AC21B	DC22B	AC22B	AC21B
Rated insulation voltage U_i	(V)	1000			1000			1000			1000		
Rated impulse withstand voltage U_{imp}	(kV)	8			8			8			8		
Rated conditional short circuit current	(kArms)	50			50			50			50		
Rated frequency	(Hz)	50 - 60			50 - 60			50 - 60			50 - 60		
Power loss (I_{th}) without fuselink, per phase	(W)												
Electrical durability		200			200			200			200		
Mechanical durability		1400			1400			800			800		
Degree of protection from the front according to IEC60529	Open	IP20			IP20			IP20			IP20		
	Closed	IP30			IP30			IP30			IP30		

2-pole		XLP00			XLP1			XLP2			XLP3		
Rated operational voltage U_e AC	(V)	-	500	690	-	500	690	-	500	690	-	500	690
Rated operational voltage U_e DC	(V)	220	-	-	440	-	-	440	-	-	440	-	-
Rated operational current I_e	(A)	160	160	125	250	250	200	400	400	315	630	630	500
Thermal current with fuse-link I_{th}	(A)	160	160	160	250	250	250	400	400	-	630	630	-
Utilization category		DC22B	AC22B	AC21B	DC22B	AC22B	AC21B	DC22B	AC22B	AC21B	DC22B	AC22B	AC21B
Rated insulation voltage U_i	(V)	1000			1000			1000			1000		
Rated impulse withstand voltage U_{imp}	(kV)	8			8			8			8		
Rated conditional short circuit current	(kArms)	50			50			50			50		
Rated frequency	(Hz)	50 - 60			50 - 60			50 - 60			50 - 60		
Power loss (I_{th}) without fuselink, per phase	(W)												
Electrical durability		200			200			200			200		
Mechanical durability		1400			1400			800			800		
Degree of protection from the front according to IEC60529	Open	IP20			IP20			IP20			IP20		
	Closed	IP30			IP30			IP30			IP30		

Technical Data

3-pole		XLP000			XLP00			XLP1		XLP2		XLP3	
For NH fuse links acc. to IEC60269-2-1		000 max width = 21mm			00			1		2		3	
Rated operational voltage U_e AC	(V)	400	500	690	400	500	690	500	690	500	690	500	690
Rated operational current I_e AC	(A)	80	100	50	125	160	125	250	200	400	315	630	500
Thermal current with fuse link I_{th}	(A)	100			160			250		400		630	
Rated insulation voltage U_i	(V)	690			1000			1000		1000		1000	
Rated impulse withstand voltage U_{imp}	(kV)	6			8			8		8		8	
Rated conditional short circuit current	(kArms)	50			50			50		50		50	
Rated making and breaking capacity		AC23B	AC22B	AC21B	AC23B	AC22B	AC21B	AC23B	AC22B	AC22B	AC21B	AC22B	AC21B
Rated frequency	(Hz)	50 - 60			50 - 60			50 - 60		50 - 60		50 - 60	
Power loss at I_{th} without fuse link/per phase	(W)	1,4W			3,5W			7,5W		13W		24W	
Max allowed poweloss in the Fuse per phase	(W)	7,5W			12W			23W		30W		48W	
Electrical durability		300			200			200		200		200	
Mechanical durability		1700			1400			1400		800		800	
Degree of protection from the front acc. to IEC60529	Open	IP20			IP20			IP20		IP20		IP20	
	Closed	IP30			IP30			IP30		IP30		IP30	

4-pole		XLP00			XLP1			XLP2		XLP3	
Rated operational voltage U_e AC		500			500			500		500	
Rated operational current I_e		160			250			400		630	
Thermal current with fuse-link I_{th}		160			250			400		630	
Utilization category		AC22B			AC22B			AC22B		AC22B	
Rated insulation voltage U_i	(V)	1000			1000			1000		1000	
Rated impulse withstand voltage U_{imp}	(kV)	8			8			8		8	
Rated conditional short circuit current	(kArms)	50			50			50		50	
Rated frequency	(Hz)	50 - 60			50 - 60			50 - 60		50 - 60	
Power loss (I_{th}) without fuselink, per phase	(W)										
Electrical durability		200			200			200		200	
Mechanical durability		1400			1400			800		800	
Degree of protection from the front according to IEC60529	Open	IP20			IP20			IP20		IP20	
	Closed	IP30			IP30			IP30		IP30	

Ordering tables

XLP 3-pole



Type	Item Description	Order code	Weight (Kg)
XLP000			
XLP000-6CC	100A, incl. 6 Cage Clamps	1SEP201428R0001	0,46
XLP000-6CC in carton	100A, incl. 6 Cage Clamps in carton	1SEP201428R0002	
XUP000-6CC	100A, Fuse Base, incl. 6 Cage Clamps	1SEP201432R0001	0,34
XLP00			
XLP00	160A without clamps or bolts	1SEP101890R0001	0,55
XLP00-6BC	160A, incl. 6 Bridge Clamps	1SEP101890R0002	0,63
XLP00-6BC-3M8	160A, incl. 6 Bridge Clamps and 3 x M8x16mm bolts	1SEP101890R8002	0,65
XLP00-6M8	160A, incl. 6 x M8x16mm bolts	1SEP101890R0004	0,63
XLP00-EFM-6BC	160A, incl. Electronic Fuse Monitoring and 6 Bridge Clamps	1SEP101890R0012	0,68
XLP00-MNS adapter-3BC	160A, incl. MNS adapter and 3 Bridge Clamps	1SEP101890R0402	0,88
XLP00-MNS adapter-EFM-3BC	160A, incl. MNS adapter, EFM and 3 Bridge Clamps	1SEP101890R0412	1,1
XLP00-A60/60-B-3BC-below	160A, incl. A60/60 adapter and 3 Bridge Clamps, cable below	1SEP101916R0001	0,95
XLP00-A60/60-B-below	160A, incl. A60/60 adapter and cable below, without clamps or bolts	1SEP101916R0002	0,95
XLP00-A60/60-A-3BC-above	160A, incl. A60/60 adapter and 3 Bridge Clamps, cable above	1SEP101917R0001	0,95
XLP00-A40/95-B-3BC-below	160A, incl. A40/95 adapter and 3 Bridge Clamps, cable below	1SEP101889R0002	1,1
XLP00-A40/75-B-3BC-below	160A, incl. A40/75 adapter and 3 Bridge Clamps, cable below	1SEP101898R0002	1
XLP00-A40/75-B-3M8-below	160A, incl. A40/75 adapter and 3 x M8 bolts, cable below	1SEP101898R0004	1
XLP00-A40/120-B-3BC-below	160A, incl. A40/120 adapter and 3 Bridge Clamps, cable below	1SEP101899R0002	1,2
XLP00-A40/120-B-3M8-below	160A, incl. A40/120 adapter and 3 x M8x16mm bolts, cable below	1SEP101899R0004	1,2
XLP00-A40/120-A-3BC-above	160A, incl. A40/120 adapter and 3 Bridge Clamps, cable above	1SEP101899R0102	1,2
XLP00-A40/120-A-3M8-above	160A, incl. A40/120 adapter and 3 x M8 bolts, cable above	1SEP101899R0104	1,2
XLP1			
XLP1	250A without clamps or bolts	1SEP101891R0001	1,6
XLP1-6BC	250A, incl. 6 Bridge Clamps	1SEP101891R0002	1,8
XLP1-6M10	250A, incl. 6 Bridge Clamps and 3 x M10x20mm bolts	1SEP101891R0004	1,8
XLP1-EFM-6BC	250A, incl. Electronic Fuse Monitoring and 6 Bridge Clamps	1SEP101891R0012	1,97

Ordering tables

XLP 3-pole



Type	Item Description	Order code	Weight (Kg)
XLP1-A60/85-B-3BC-below	250A, incl. A60/85 adapter and 3 Bridge Clamps, cable below	1SEP101918R0001	2,47
XLP1-A60/85-A-3BC-above	250A, incl. A60/85 adapter and 3 Bridge Clamps, cable above	1SEP101919R0001	2,47
XLP1-A40/120-A-3BC-above	250A, incl. A40/120 adapter and 3 Bridge Clamps, cable above	1SEP101912R0002	2,8
XLP1-A40/120-A-3M10-above	250A, incl. A40/120 adapter and 3xM10x20mm bolts, cable above	1SEP101912R0004	2,75
XUP1	250A Fuse Base without clamps or bolts	1SEP101895R0001	1,1
XUP1-6BC	250A, Fuse Base incl. 6 Bridge Clamps	1SEP101895R0002	1,3

XLP2



XLP2	400A without clamps or bolts	1SEP101892R0001	2,5
XLP2-6BC	400A, incl. 6 Bridge Clamps	1SEP101892R0002	3,02
XLP2-EFM-6BC	400A, incl. Electronic Fuse Monitoring and 6 Bridge Clamps	1SEP101892R0012	3,2
XLP2-A60/120-A-above	400A, incl. A60/120 adapter, cable above without clamps or bolts	1SEP102285R0001	4,9
XLP2-A60/120-B-below	400A, incl. A60/120 adapter, cable below without clamps or bolts	1SEP102286R0001	4,9
XUP2	400A, Fuse Base without clamps or bolts	1SEP101974R0001	

XLP3



XLP3	630A without clamps or bolts	1SEP101975R0001	3,7
XLP3-6BC	630A, incl. 6 Bridge Clamps	1SEP101975R0002	4,25
XLP3-EFM-6BC	630A, incl. Electronic Fuse Monitoring and 6 Bridge Clamps	1SEP101975R0012	4,4
XLP3-A60/120-A-above	630A, incl. A60/120 adapter, cable above without clamps or bolts	1SEP102287R0001	7,4
XLP3-A60/120-B-below	630A, incl. A60/120 adapter, cable below without clamps or bolts	1SEP102288R0001	7,4

Ordering tables

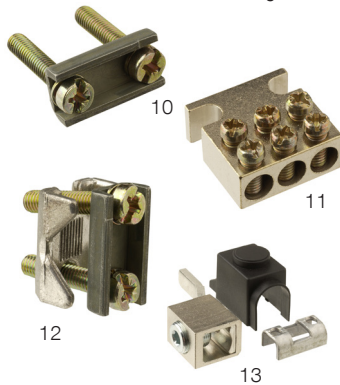
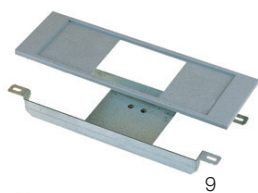
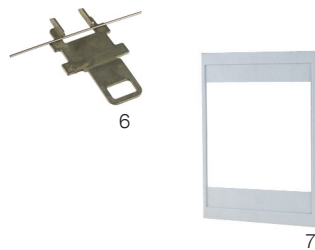
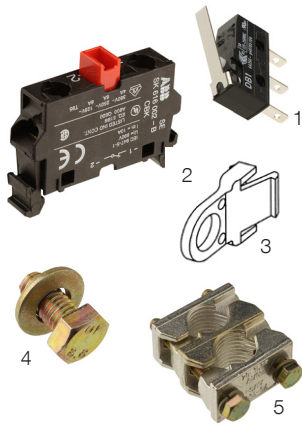
XLP 1-, 2- and 4-pole



Type	Item Description	Order code	Weight (Kg)
XLP00-1P	160A without clamps or bolts	1SEP600113R0001	0,24
XLP00-1P-2BC	160A, incl. 2 Bridge Clamps	1SEP600113R0002	0,28
XLP00-1P-2M8	160A, incl. 2 x M8 bolts	1SEP600113R0003	0,26
XLP1-1P	250A without clamps or bolts	1SEP600116R0001	0,70
XLP1-1P-2BC	250A, incl. 2 Bridge Clamps	1SEP600116R0002	0,82
XLP1-1P-M10	250A, incl. M10 bolts	1SEP600116R0003	0,76
XLP2-1P	400A without clamps or bolts	1SEP600122R0001	1,06
XLP2-1P-2BC	400A, incl. 2 Bridge Clamps	1SEP600122R0002	1,25
XLP3-1P	630A without clamps or bolts	1SEP600126R0001	1,87
XLP3-1P-2BC	630A, incl. 2 Bridge Clamps	1SEP600126R0002	2,20
XLP00-2P	160A without clamps or bolts	1SEP600114R0001	0,53
XLP00-2P-4BC	160A, incl. 4 Bridge Clamps	1SEP600114R0002	0,61
XLP00-2P-4M8	160A, incl. 4 x M8 bolts	1SEP600114R0003	0,57
XLP1-2P	250A without clamps or bolts	1SEP600117R0001	1,63
XLP1-2P-4BC	250A, incl. 4 Bridge Clamps	1SEP600117R0002	1,87
XLP1-2P-4M8	250A, incl. 4 x M8 bolts	1SEP600117R0003	1,75
XLP2-2P	400A without clamps or bolts	1SEP600123R0001	2,32
XLP2-2P-4BC	400A, incl. 4 Bridge Clamps	1SEP600123R0002	2,7
XLP3-2P	630A without clamps or bolts	1SEP600127R0001	3,95
XLP3-2P-4BC	630A, incl. 4 Bridge Clamps	1SEP600127R0002	4,5
XLP00-4P	160A without clamps or bolts	1SEP600115R0001	0,83
XLP00-4P-8BC	160A, incl. 8 Bridge Clamps	1SEP600115R0002	0,99
XLP00-4P-8M8	160A, incl. 8 x M8 bolts	1SEP600115R0003	0,91
XLP1-4P	250A without clamps or bolts	1SEP600119R0001	2,50
XLP1-4P-8BC	250A, incl. 8 Bridge Clamps	1SEP600119R0002	2,98
XLP1-4P-8M8	250A, incl. 8 x M8 bolts	1SEP600119R0003	2,74
XLP2-4P	400A without clamps or bolts	1SEP600124R0001	3,87
XLP2-4P-8BC	400A, incl. 8 Bridge Clamps	1SEP600124R0002	4,5
XLP3-4P	630A without clamps or bolts	1SEP600128R0001	6,47
XLP3-4P-8BC	630A, incl. 8 Bridge Clamps	1SEP600128R0002	7,5

Ordering tables

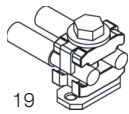
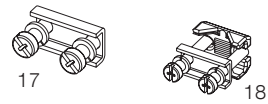
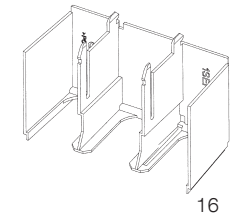
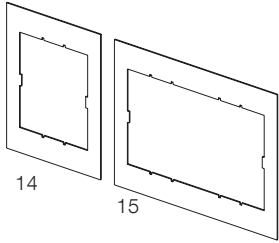
Accessories



Type	Order code	Weight (Kg)
Common accessories		
1 Micro auxilliary switch (not for XLP000)	1SEP407742R0001	0,01
2 Auxiliary switch NC	1SEP407742R0002	0,02
Auxiliary switch NO	1SEP407742R0003	0,02
3 Padlock device	1SEP407786R0001	0,005
4 XLP00 Bolt (M8) w/washer, kit including 3 x Bolts M8x16 mm with washer	NHP 400940R0006	0,04
XLP1 Bolt (M10) w/washer, kit including 3 x Bolts M10x20 mm with washer	NHP 403625R0001	0,09
XLP2/3 Bolt (M12) w/washer, kit including 3 x Bolts M12x30 mm with washer	NHP 403626R0001	0,18
5 XLP1 Double Prisme Clamp, for cable 2 x 70 - 150mm ²	NHP 403631R0002	0,15
Accessories XLP000 - 3-pole		
XLP000 Front cover (spare part)	1SEP304222R0001	0,12
XLP000 Micro auxiliary switch	1SEP408738R0001	0,01
6 XLP000 DIN rail snap on kit - Qty. 1 pc	1SEP407740R0001	0,006
XLP000 DIN rail snap on kit - Qty. 10 pc	1SEP407740R0010	0,6
7 XLP000 Frontframe for 1 XLP000	1SEP407741R0001	0,02
XLP000 Frontframe for 2 XLP000	1SEP407741R0002	0,025
XLP000 Frontframe for 3 XLP000	1SEP407741R0003	0,03
Accessories XLP00 - 3-pole		
XLP00 Front cover (spare part)	1SEP101873R0001	0,17
XLP00 A60/60 Adapter above, for 60 mm busbar distance, 5 or 10 mm, cable above	1SEP101910R0001	0,38
XLP00 A60/60 Adapter below, for 60 mm busbar distance, 5 or 10 mm, cable below	1SEP101915R0001	0,38
XLP00 A40/75 Adapter above/below, for 40 mm busbarsystem Striebel & John, cable above or below	1SEP101909R0001	
XLP00 A40/120 Adapter above/below, for 40 mm busbarsystem Striebel & John, cable above or below	1SEP101909R0002	
XLP00 Front cover with EFM (Electronic Fuse Monitoring)	1SEP101873R0007	0,09
9 XLP00 Front fixing bracket with front frame	1SEP201534R0001	
7 XLP00 Frontframe for 1 XLP00	1SEP407792R0001	0,02
XLP00 Frontframe for 2 XLP00	1SEP407792R0002	0,03
XLP00 Frontframe for 3 XLP00	1SEP407792R0003	0,04
XLP00 ABB-INS Frontframe for 1 XLP00	1SEP407792R0004	0,02
XLP00 ABB-INS Frontframe for 2 XLP00	1SEP407792R0005	0,03
8 XLP00 Cable shroud	1SEP407793R0001	0,03
XLP00 Snap for double DIN rail	1SEP407897R0001	0,24
10 XLP00 Bridge Clamp (3-BC), for cable 1,5 - 50mm ²	1SEP407733R0001	0,04
11 XLP00 Triple Clamp (3-TC), for cable 1,0 - 10mm ²	1SEP407787R0001	0,15
12 XLP00 Single Pris.Clamp (3-SPC), for cable 1,5 - 70mm ²	1SEP407732R0001	0,09
13 XLP00 Feeding Clamp (3-FC), for cable 25 - 95 mm ²	1SEP407811R0001	0,29

Ordering tables

Accessories



Type	Order code	Weight (Kg)
Accessories XLP1 - 3-pole		
XLP1 Front cover (spare part)	1SEP101883R0001	0,5
XLP1 A60/85 Adapter above, 60mm busbar distance, 5 or 10mm cable, above	1SEP201451R0001	0,74
XLP1 A60/85 Adapter below, 60mm busbar distance, 5 or 10mm cable, below	1SEP201456R0001	0,74
XLP1 Front cover with EFM (Electronic Fuse Monitoring)	1SEP101883R0007	0,37
14 XLP1 Frontframe for 1 XLP1	1SEP407815R0001	0,04
15 XLP1 Frontframe for 2 XLP1	1SEP407815R0002	0,06
16 XLP1 Cable shroud	1SEP407793R0002	0,1
17 XLP1 Bridge Clamp (3-BC), for cable 16 - 95mm ²	1SEP407733R0002	0,11
18 XLP1 Single Prisme Clamp (3-SPC) , for cable 16-185mm ²	1SEP407732R0002	0,17
Accessories XLP2/3 - 3-pole		
XLP2 Front cover (spare part)	1SEP101982R0001	0,65
14 XLP2 Frontframe for 1 XLP2	1SEP407951R0001	0,04
15 XLP2 Frontframe for 2 XLP2	1SEP407951R0002	0,06
XLP2 Front cover with EFM (Electronic Fuse Monitoring)	1SEP101982R0007	0,25
XLP3 Front cover (spare part)	1SEP101984R0001	0,9
XLP3 Frontframe for 1 XLP3	1SEP407955R0001	0,055
XLP3 Front cover with EFM (Electronic Fuse Monitoring)	1SEP101984R0007	0,35
16 XLP2/3 Cable shroud	1SEP407952R0001	0,18
17 XLP2/3 Bridge Clamp (3-BC), for cable 35 - 300mm ²	1SEP407953R0001	0,26
18 XLP2/3 Single Pris. Clamp (3-SPC), for cable 25 - 240mm ²	1SEP407954R0001	0,5
19 XLP2/3 Double Pris. Clamp (3-DPC), for cable 2 x 35 - 150mm ² (sm)	1SEP407956R0001	0,36
SF-60 Busbar system		
20 Busbar carrier 3-pole, for busbar 5-10 x 10-30mm	GHV 240849R0001	0,17
Cable connection supply module, for busbar 5-10 x 10-30mm or cable 35 - 120mm ²	GHV 240849R0034	0,62

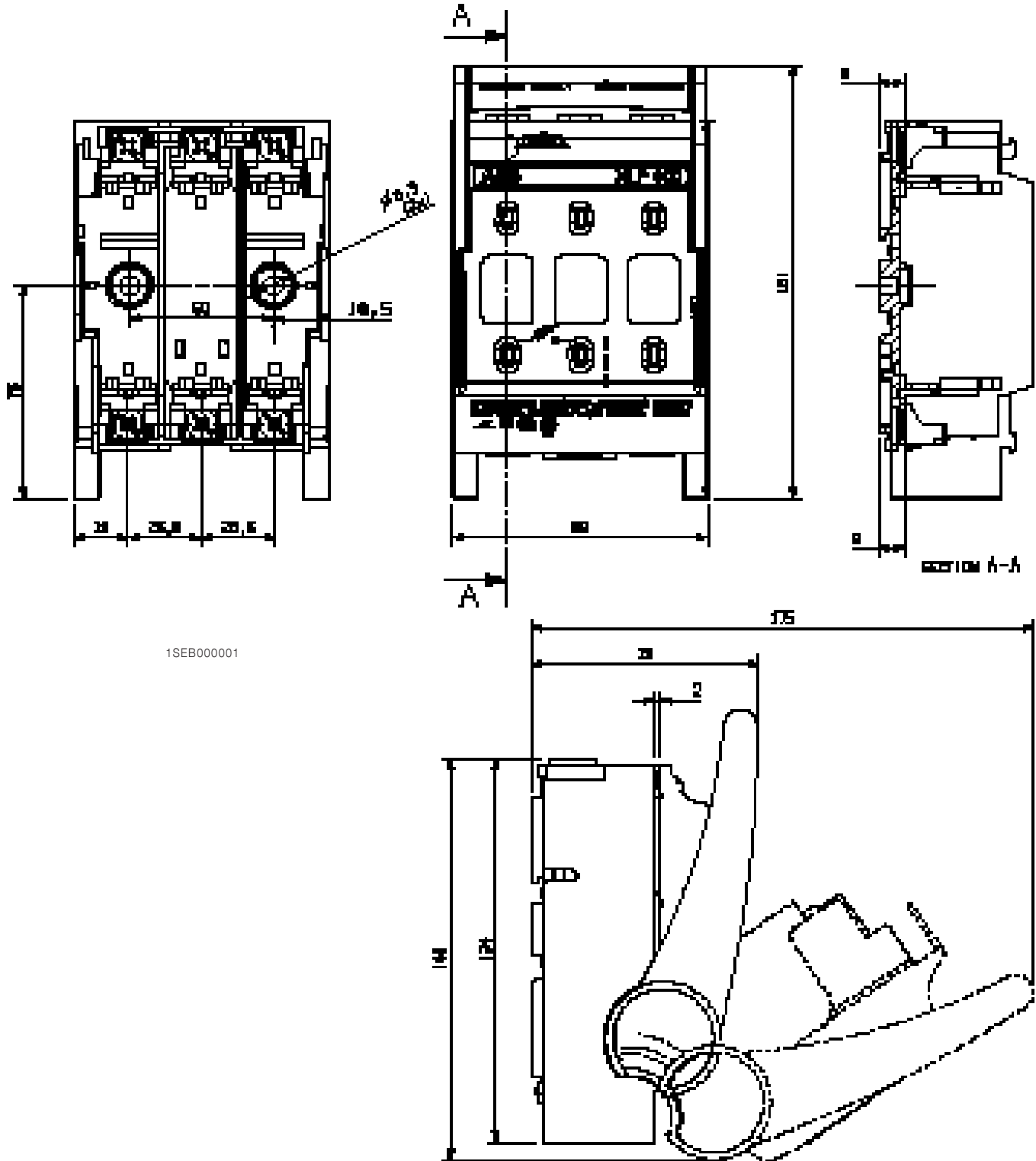
Ordering tables

Accessories XLP 1-, 2- and 4-pole

Type	Order code	Weight (Kg)
Accessories XLP 1-2-4-pole		
XLP00-1P Cable Shroud For 1- and 2-Pole and N at the 4-Pole	1SEP618708R0001	0,02
XLP1-1P Cable Shroud For 1- and 2-Pole and N at the 4-Pole	1SEP618709R0001	0,07
XLP2/3-1P Cable Shroud For 1- and 2-Pole and N at the 4-Pole	1SEP618710R0001	0,13
XLP00 Triple Clamp (1-TC) 1,0-10mm ²	1SEP407787R0010	0,08
XLP00 Single Pris.Clamp (1-SPC) 1,5-70mm ²	1SEP407732R0010	0,05
XLP1 Single Pris.Clamp (1-SPC) 16-185mm ²	1SEP407732R0011	0,09
XLP23 Sing.Pris.Clamp (1-SPC) 25-240mm ²	1SEP407954R0010	0,25
XLP23 Dou.Pris.Clamp (1-DPC) 35-185mm ²	1SEP407956R0010	0,35
XLP00 1P Front Frame f/1 Apparatus	1SEP407792R0011	0,01
XLP00 1P Front Fr. f/2 1P, f/1 2P Apparatus	1SEP407792R0012	0,02
XLP00 1P Front Frame f/3 Apparatus	1SEP407792R0013	0,03
XLP00 2P Front Frame f/2 Apparatus	1SEP407792R0022	0,03
XLP00 2P Front Frame f/3 Apparatus	1SEP407792R0023	0,04
XLP00 4P Front Frame f/1 Apparatus	1SEP407792R0041	0,02
XLP00 4P Front Frame f/2 Apparatus	1SEP407792R0042	0,04
XLP00 4P Front Frame f/3 Apparatus	1SEP407792R0043	0,05
XLP1 1P Front Frame f/1 Apparatus	1SEP407815R0011	0,03
XLP1 1P Front Fr. f/2 1P, f/1 2P Apparatus	1SEP407815R0012	0,04
XLP1 2P Front Frame f/2 Apparatus	1SEP407815R0022	0,05
XLP1 4P Front Frame f/1 Apparatus	1SEP407815R0041	0,05
XLP1 4P Front Frame f/2 Apparatus	1SEP407815R0042	0,07
XLP2 1P Front Frame f/1 Apparatus	1SEP407951R0011	0,28
XLP2 1P Front Fr. f/2 1P, f/1 2P Apparatus	1SEP407951R0012	0,32
XLP2 2P Front Frame f/2 Apparatus	1SEP407951R0022	0,44
XLP2 4P Front Frame f/1 Apparatus	1SEP407951R0041	0,48
XLP2 4P Front Frame f/2 Apparatus	1SEP407951R0042	0,44
XLP3 1P Front Frame f/1 Apparatus	1SEP407955R0011	0,04
XLP3 2P Front Frame f/1 Apparatus	1SEP407955R0021	0,05
XLP3 4P Front Frame f/1 Apparatus	1SEP407955R0041	0,07
XLP00 1P Front Cover (Spare part)	1SEP101873R0011	0,12
XLP00 2P Front Cover (Spare part)	1SEP101873R0021	0,15
XLP00 4P Front Cover (Spare part)	1SEP101873R0041	0,20
XLP1 1P Front Cover (Spare part)	1SEP101883R0011	0,35
XLP1 2P Front Cover (Spare part)	1SEP101883R0021	0,45
XLP1 4P Front Cover (Spare part)	1SEP101883R0041	0,60
XLP2 1P Front Cover (Spare part)	1SEP101982R0011	0,46
XLP2 2P Front Cover (Spare part)	1SEP101982R0021	0,59
XLP2 4P Front Cover (Spare part)	1SEP101982R0041	0,78
XLP3 1P Front Cover (Spare part)	1SEP101984R0011	0,63
XLP3 2P Front Cover (Spare part)	1SEP101984R0021	0,81
XLP3 4P Front Cover (Spare part)	1SEP101984R0041	1,08

Dimensional drawings XLP000

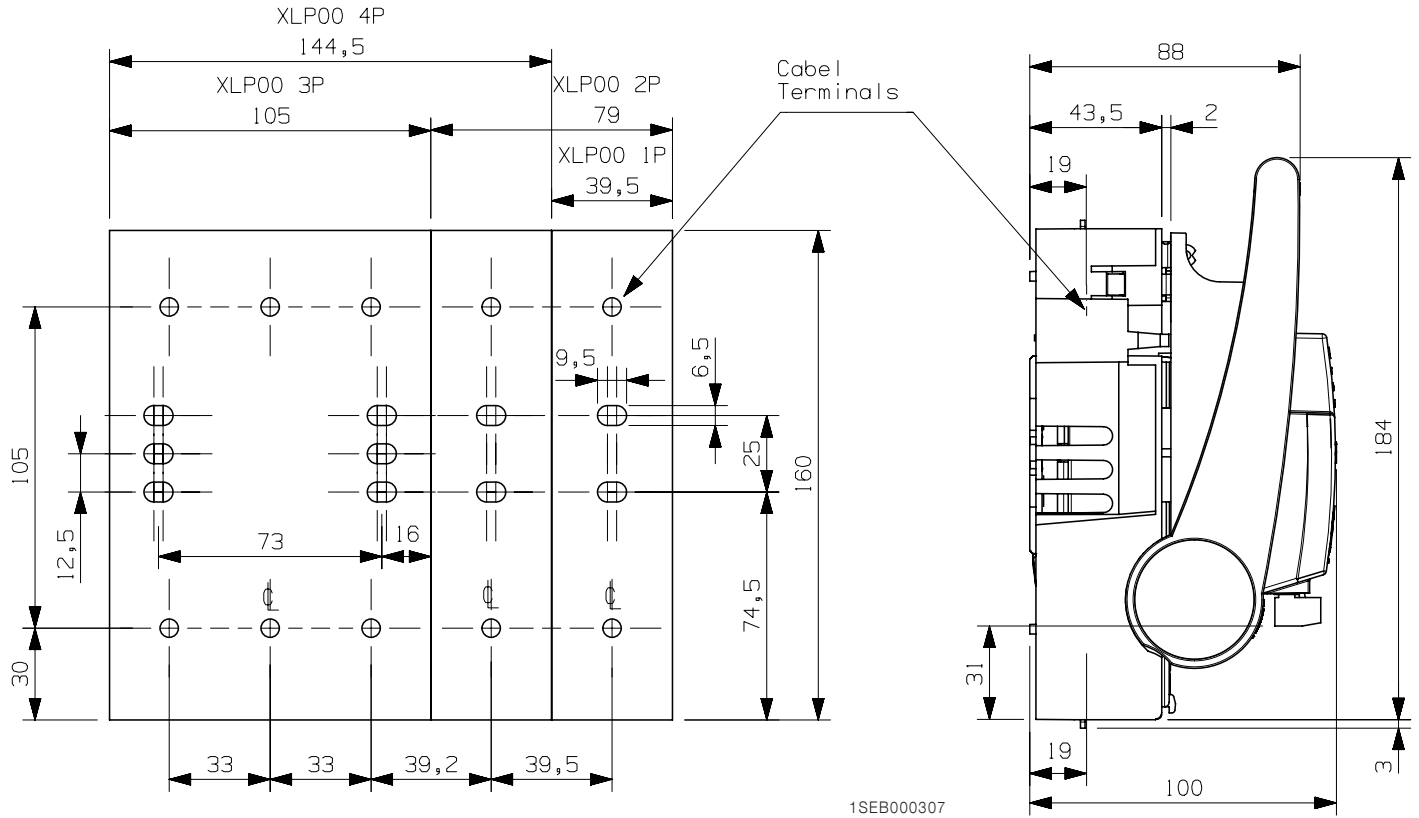
XLP000



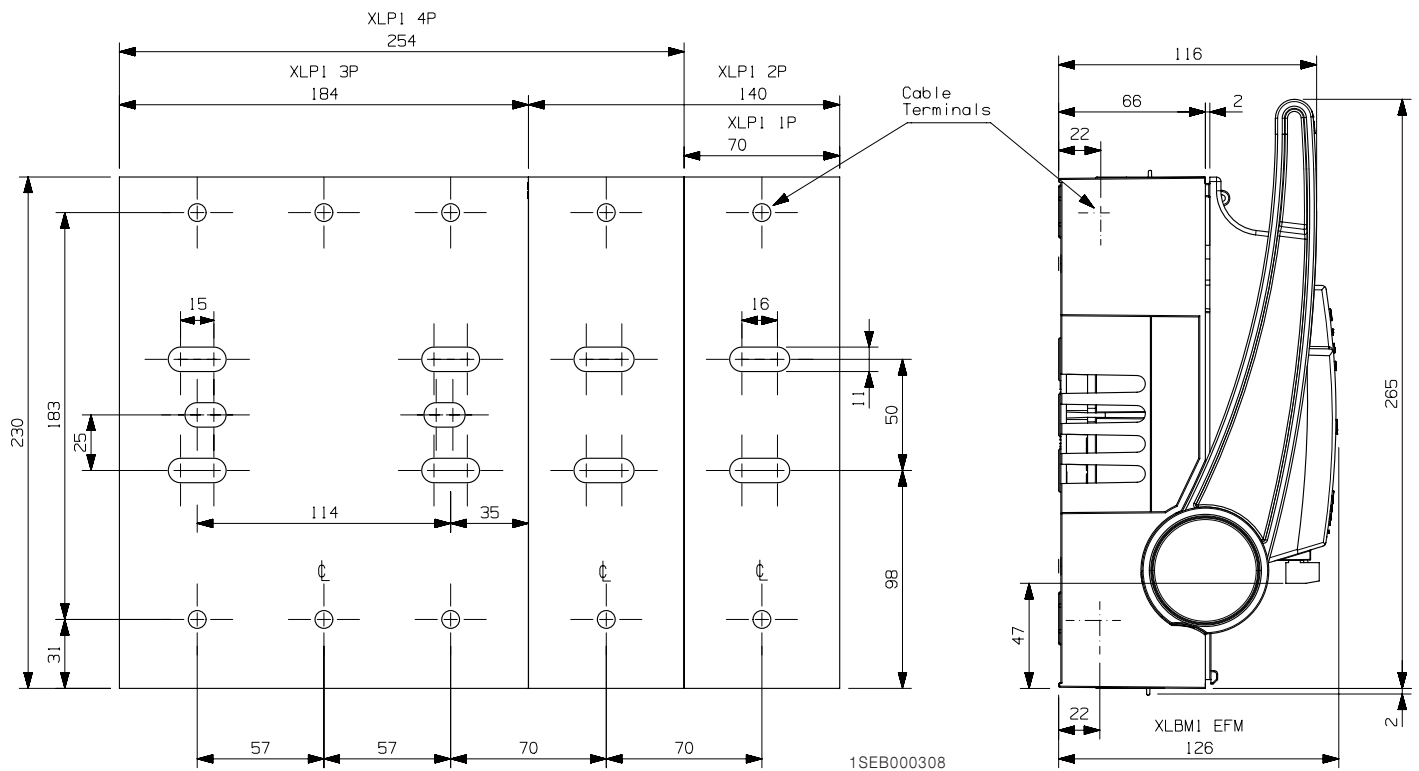
1SEB000001

Dimensional drawings XLP00 and XLP1

XLP00

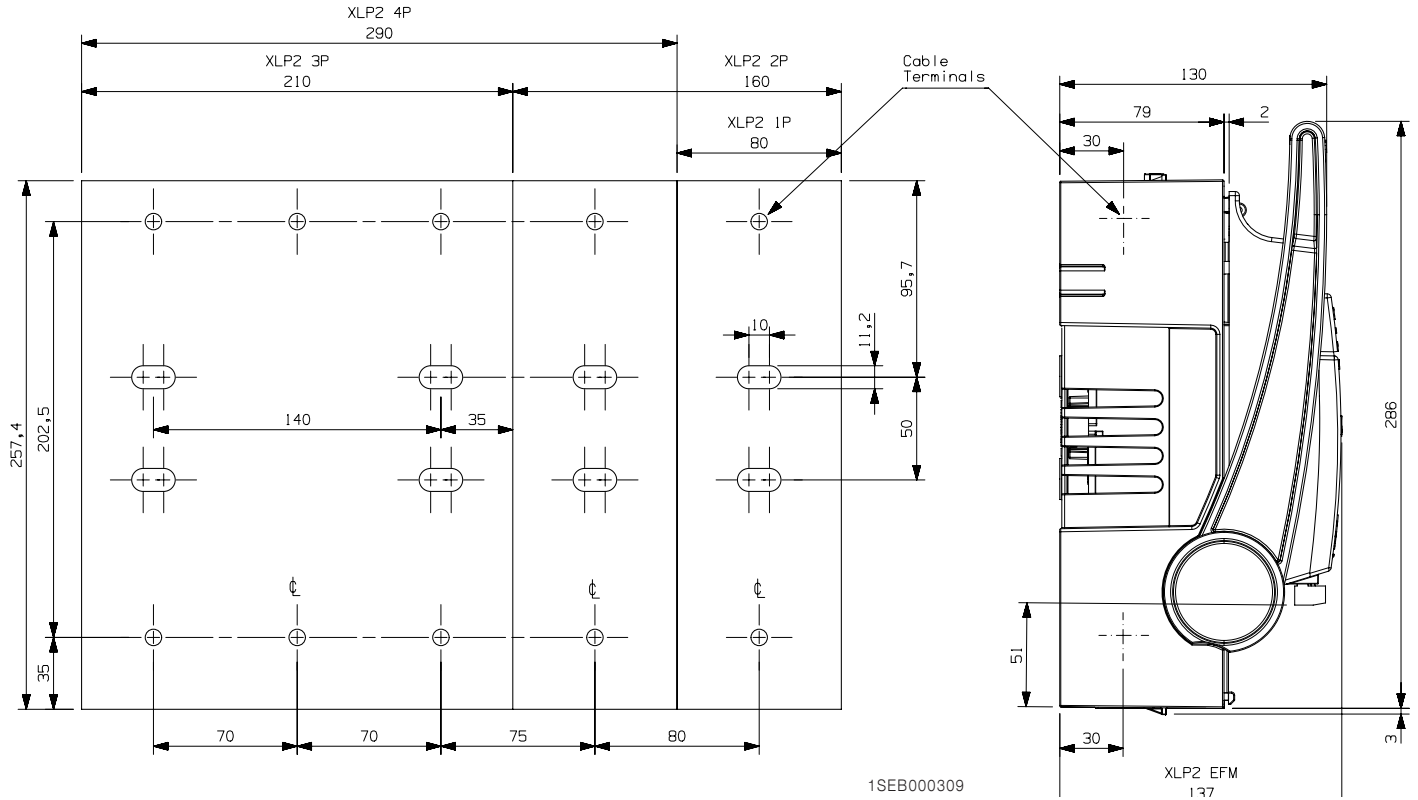


XLP1

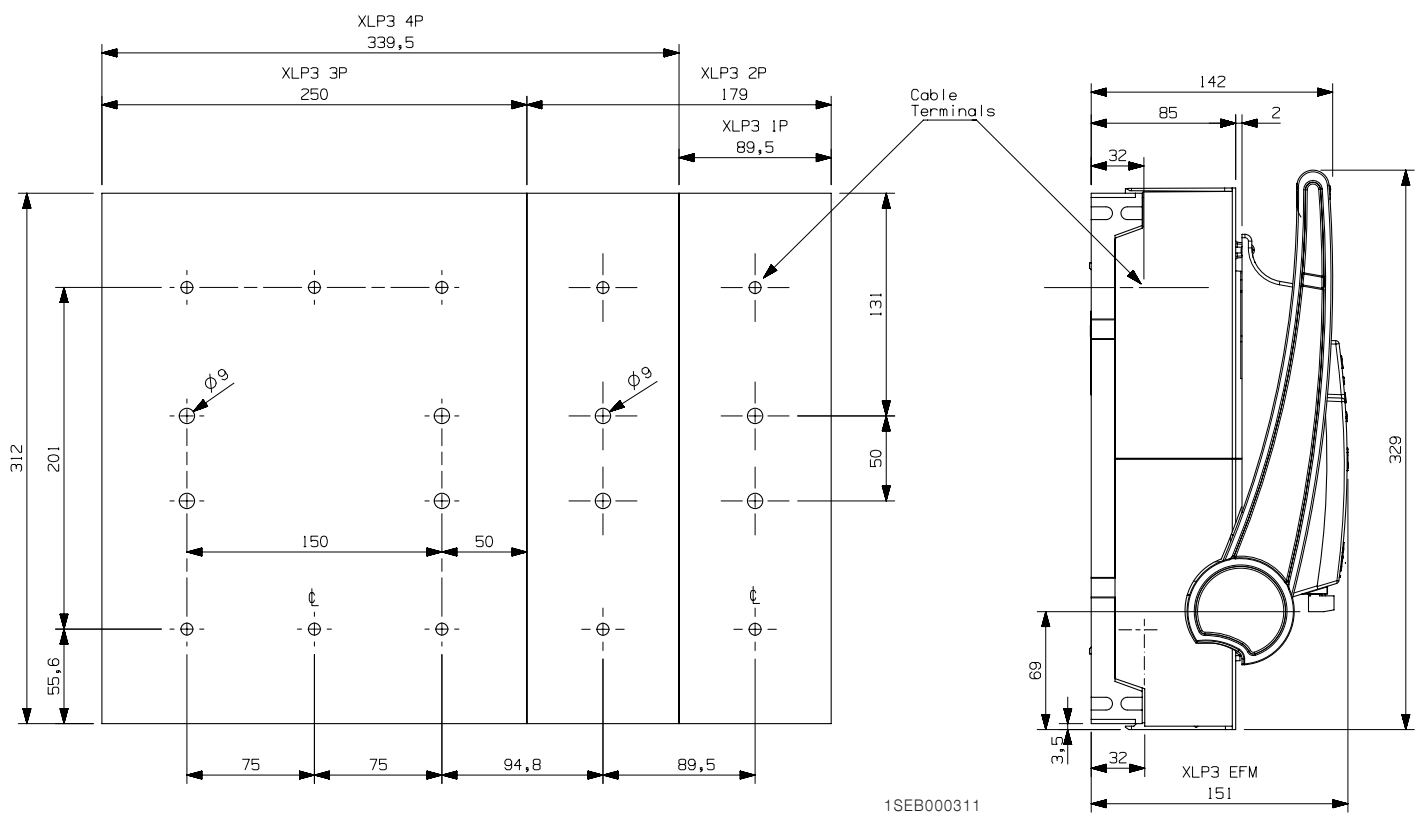


Dimensional drawings XLP2 and XLP3

XLP2



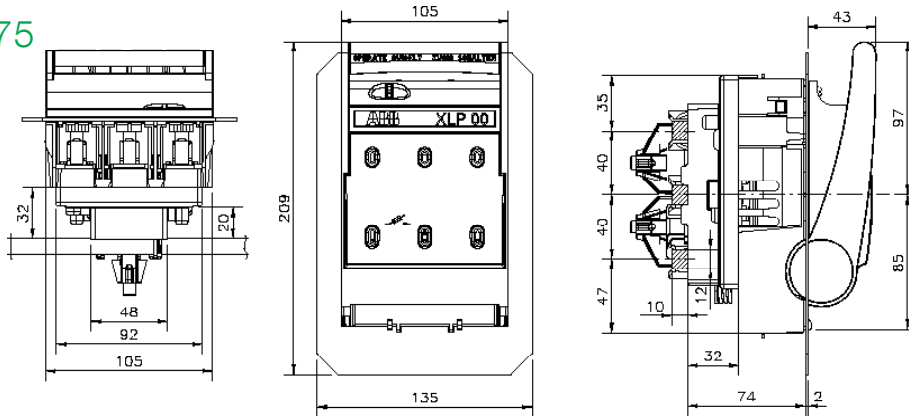
XLP3



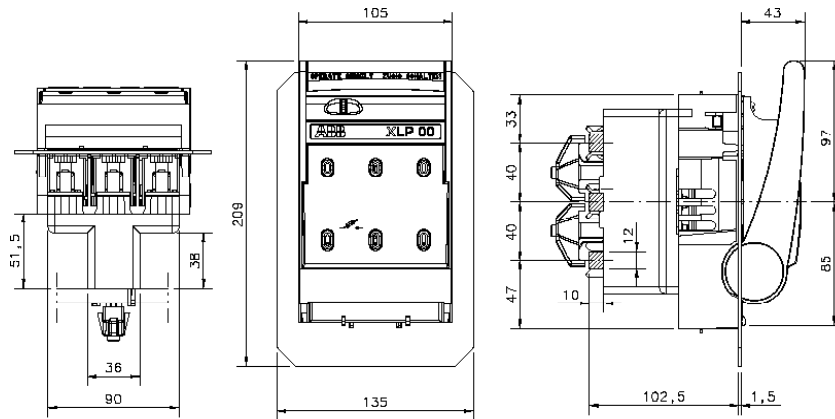
11

Dimensional drawings Busbar Adapters XLP00

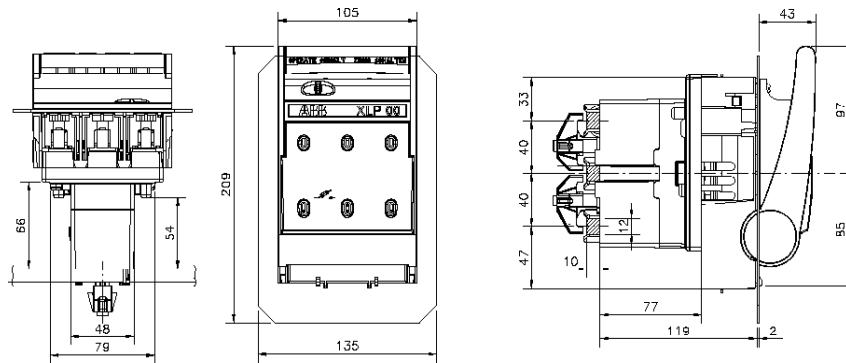
XLP00 – A40/75



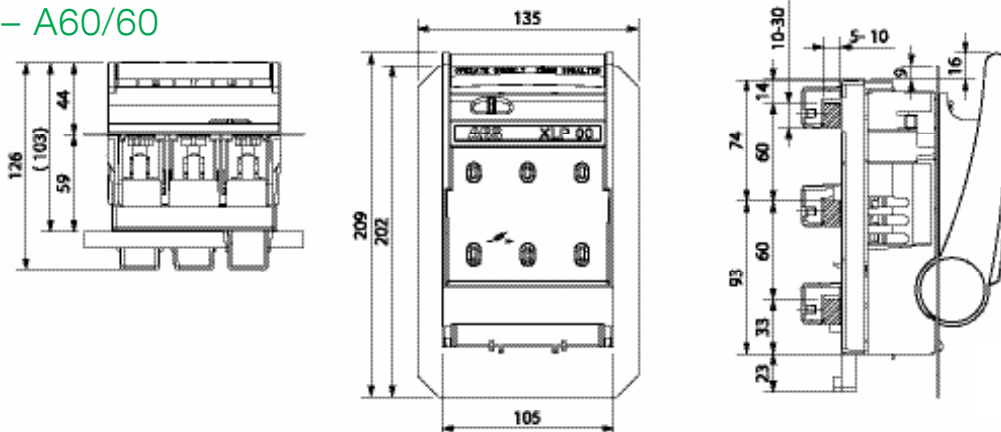
XLP00 – A40/95



XLP00 – A40/120



XLP00 – A60/60



1SEB000006

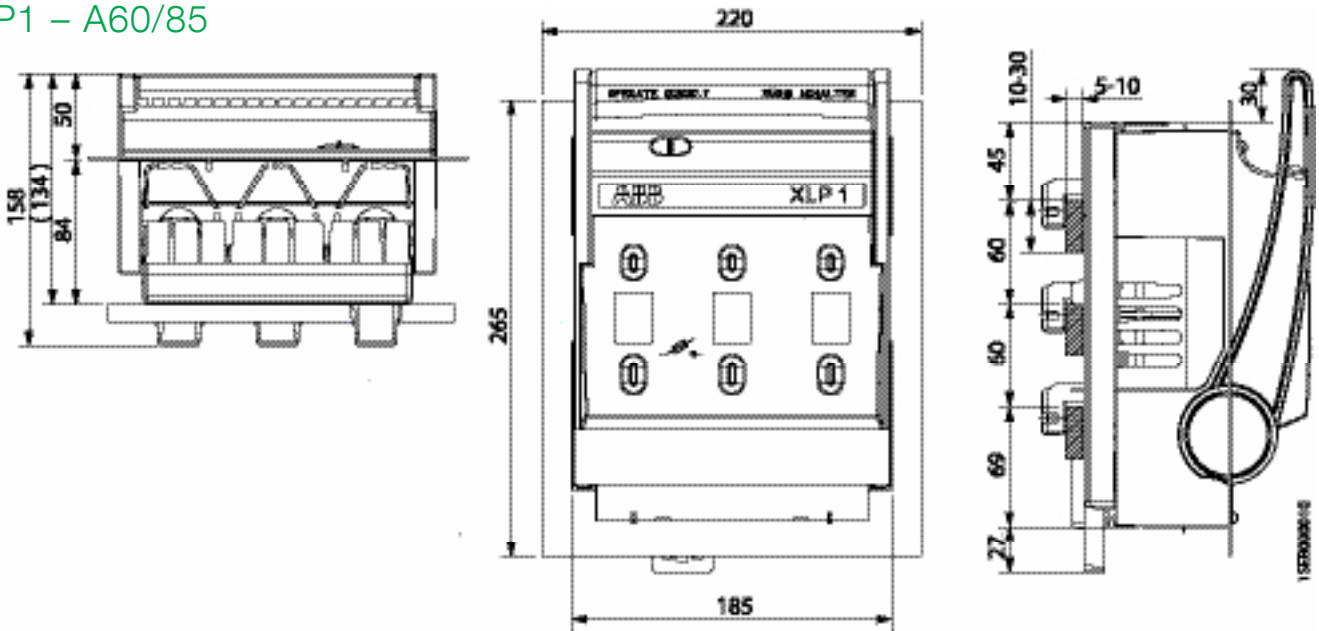
1SEB000117

1SEB000005

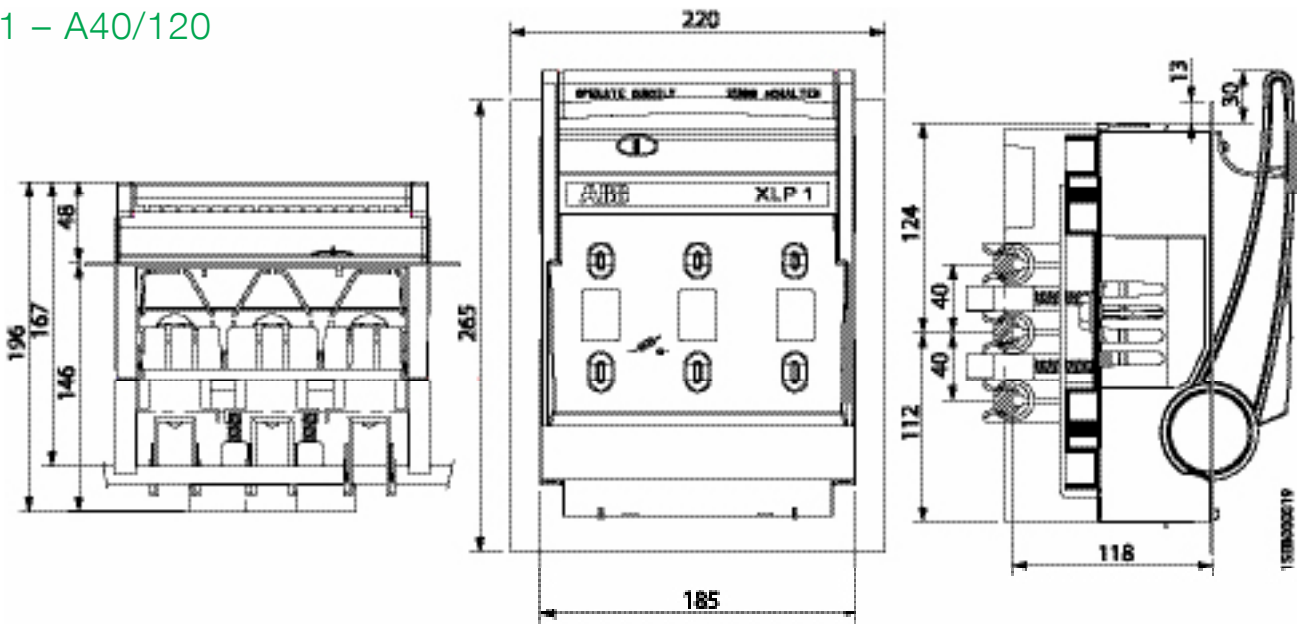
1SEB000007

Dimensional drawings Busbar Adapters XLP1

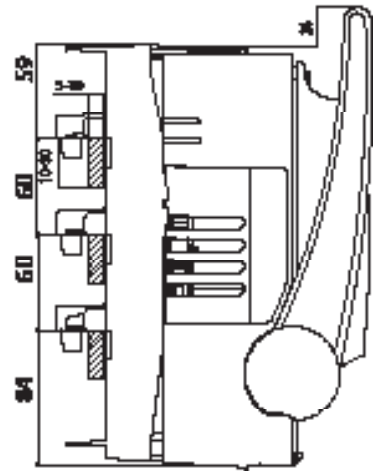
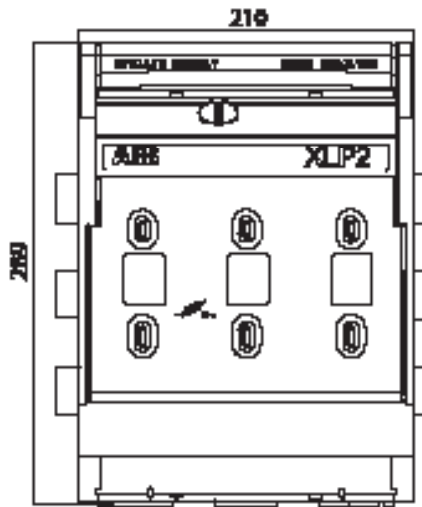
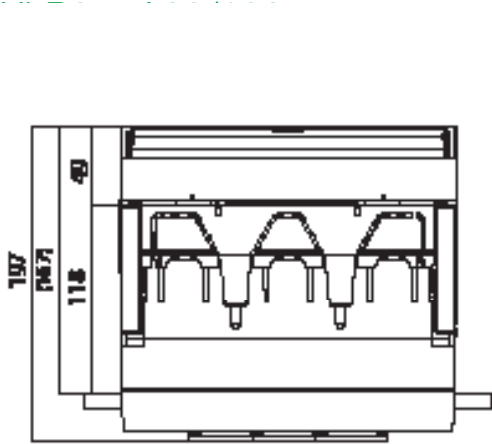
XLP1 – A60/85



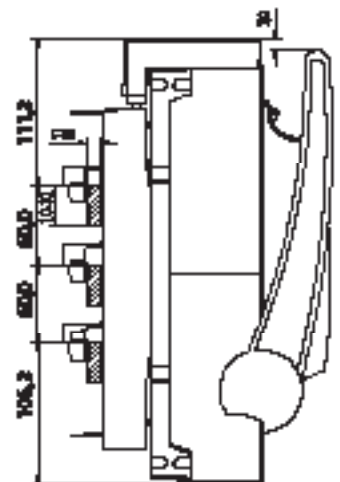
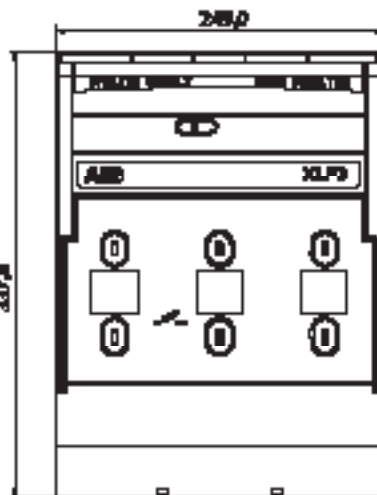
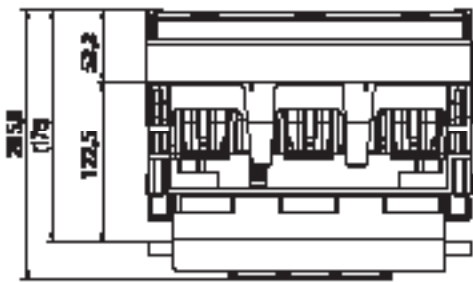
XLP1 – A40/120



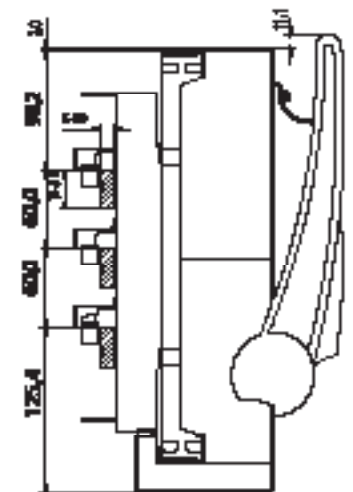
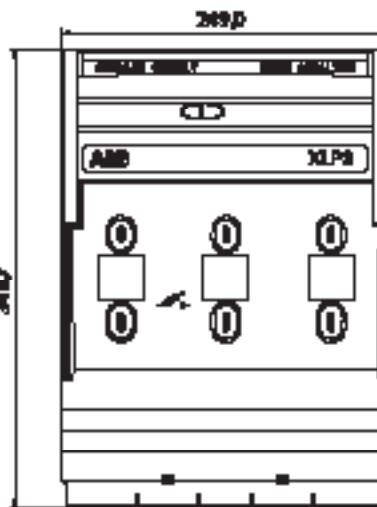
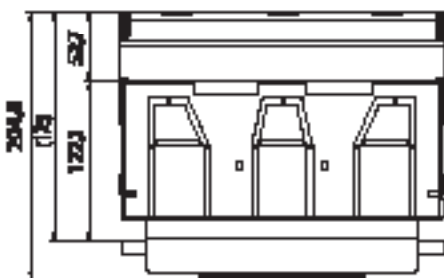
Dimensional drawings Busbar Adapters XLP2 and XLP3



XLP3 – A60/120



XLP3 A60/120 Below

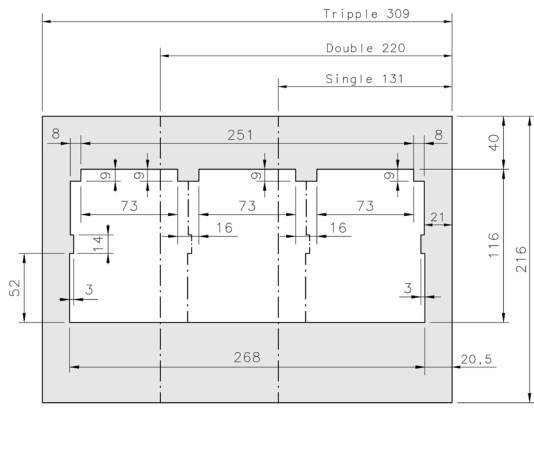


XLP3 A60/120 Above

Dimensional drawings

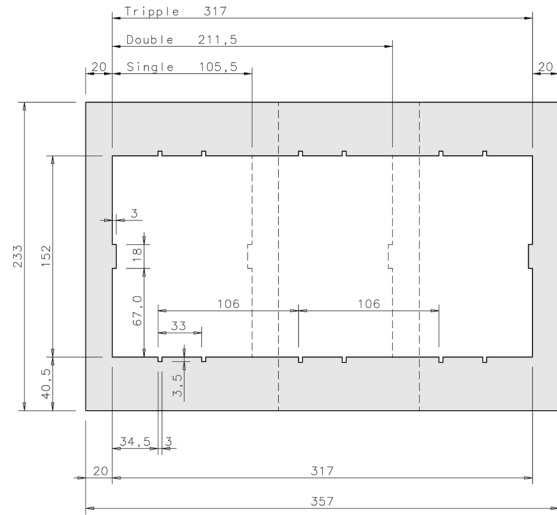
Front frames

XLP000



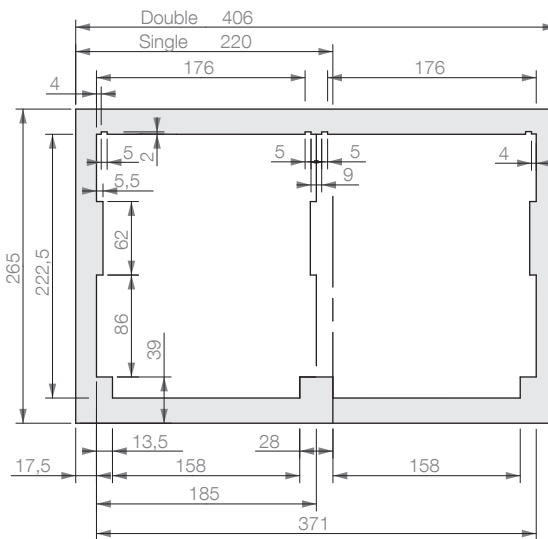
1,5
1SEB000012

XLP00



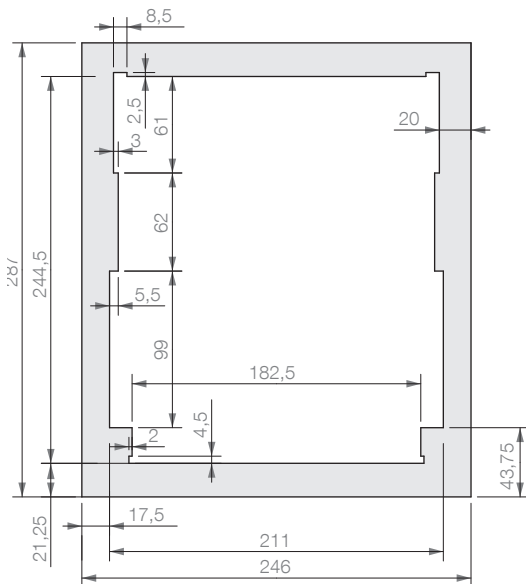
1,5
1SEB000013

XLP1



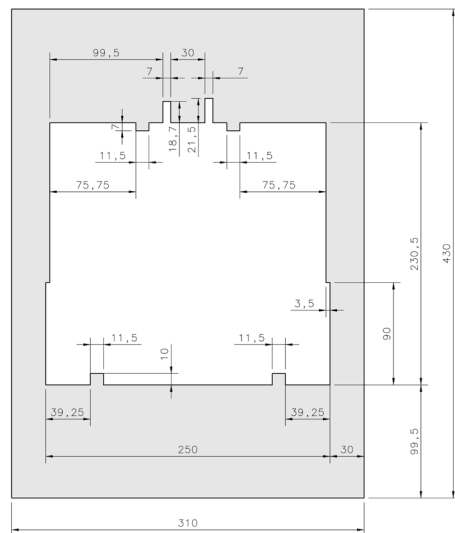
1,5
1SEB000011

XLP2



1,5
1SEB000014

XLP3



1,5
1SEB000015

For your notes

A series of horizontal dotted lines for taking notes.

Contact us

ABB AS

Low Voltage Products

P.O.Box 100, Sentrum

N-3701 Skien, Norway

www.abb.com/fusegear

Note: We reserve the right to make technical changes or modify the contents of this document without prior notice. With regard to purchase orders, the agreed particulars shall prevail. ABB AS does not accept any responsibility whatsoever for potential errors or possible lack of information in this document.

We reserve all rights in this document and in the subject matter and illustrations contained therein. Any reproduction, disclosure to third parties or utilization of its contents – in whole or in parts – is forbidden without prior written consent of ABB AS.

Copyright © 2015 ABB
All rights reserved