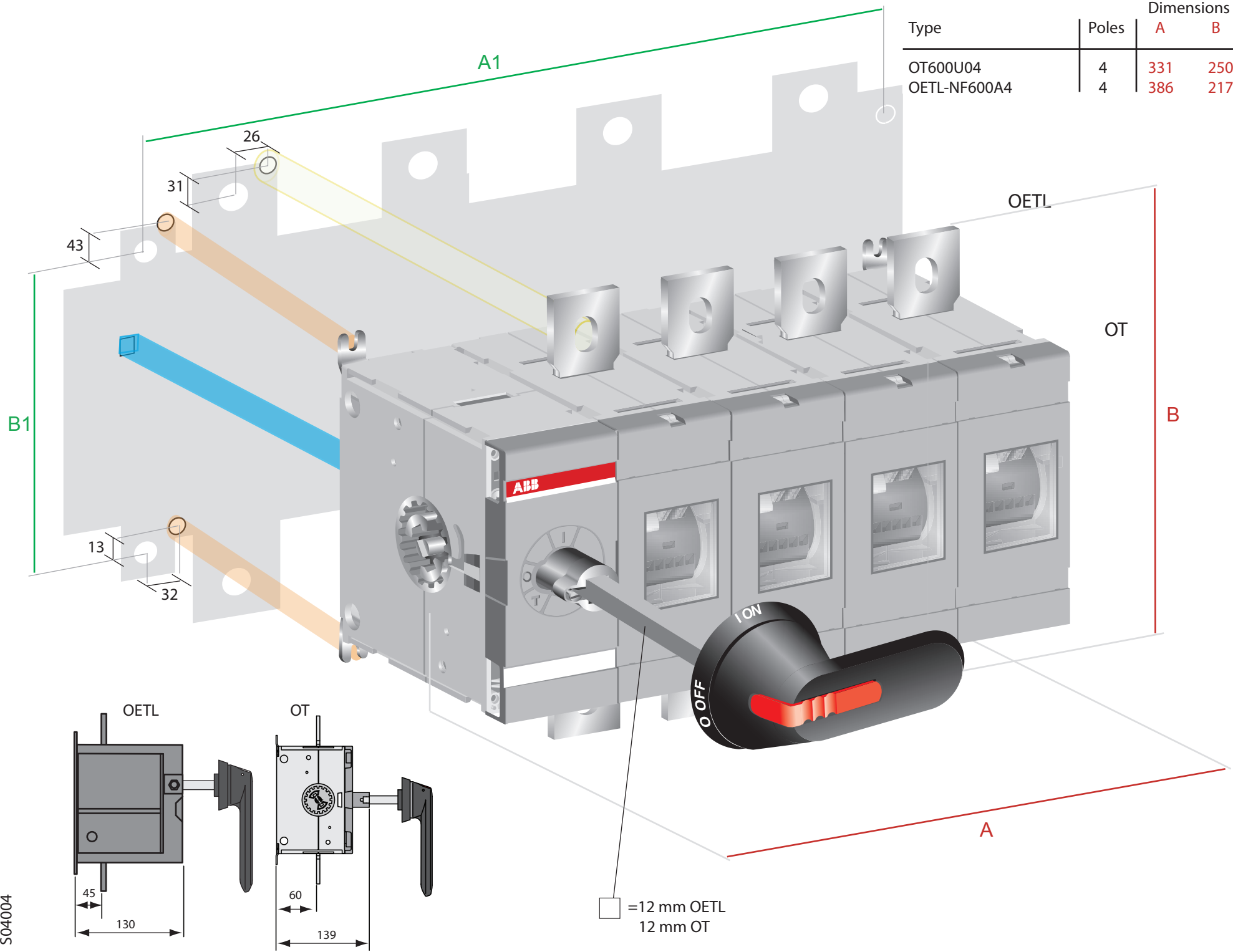


Type	Poles	Dimensions		Drilling	
		A	B	A1	B1
OT600U04	4	331	250	307	180
OETL-NF600A4	4	386	217	326,5	150



S04004