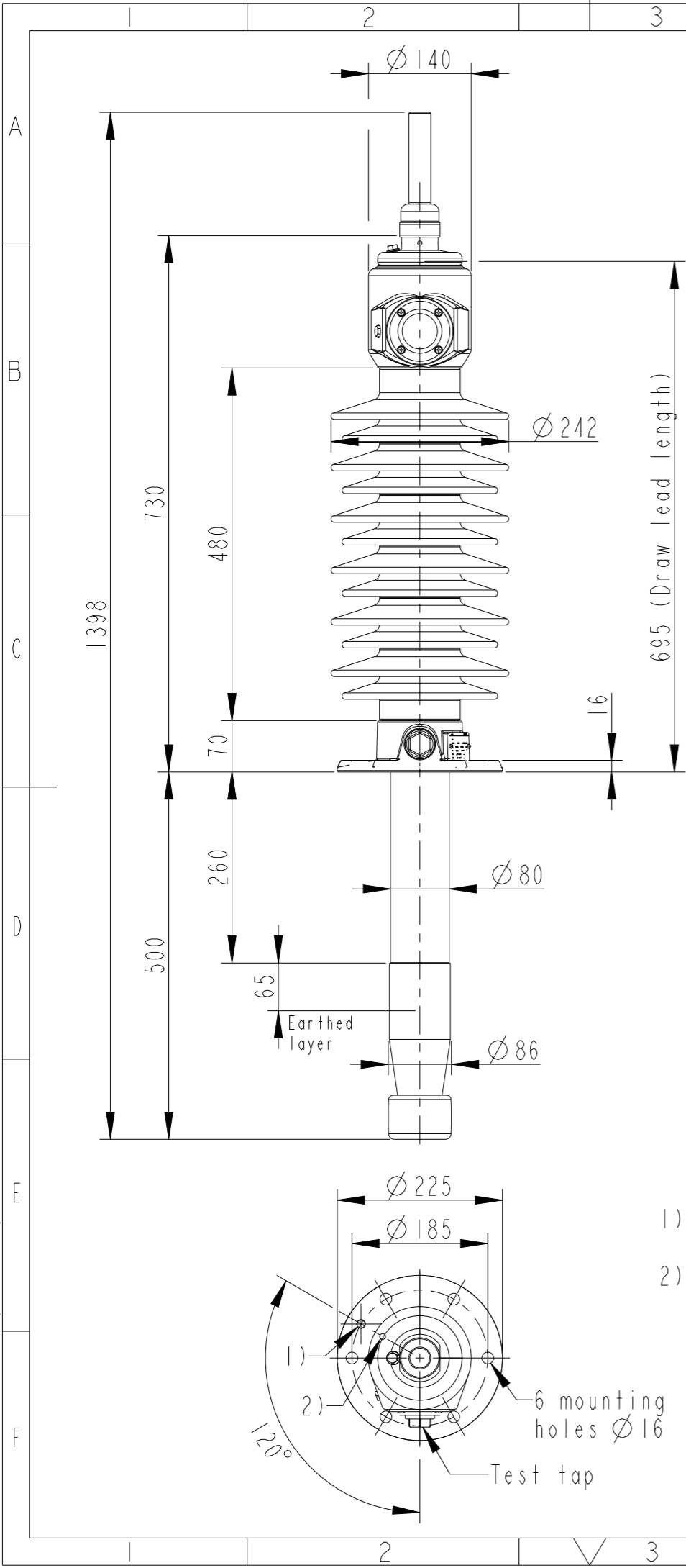
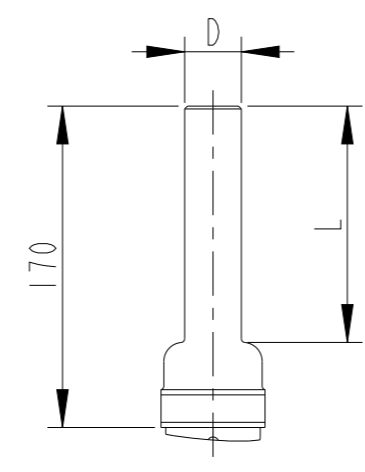


This document is issued by means of a computerized system. The digitally stored original is electronically approved. The approved document has a date entered in the "Approved"-field. A manual signature is not required.

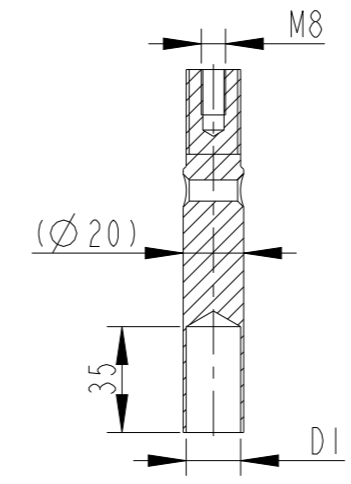
We reserve all rights in this document and in the information contained therein. Reproduction, use or disclosure to third parties without express authority is strictly forbidden.



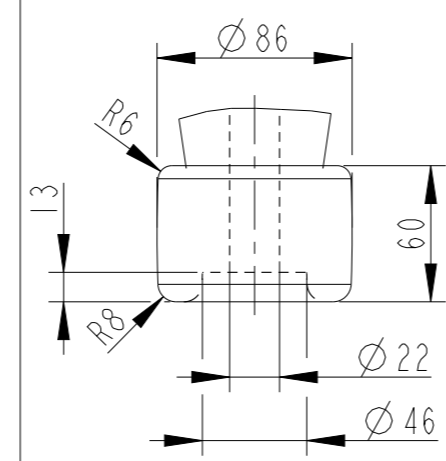
OUTER TERMINAL



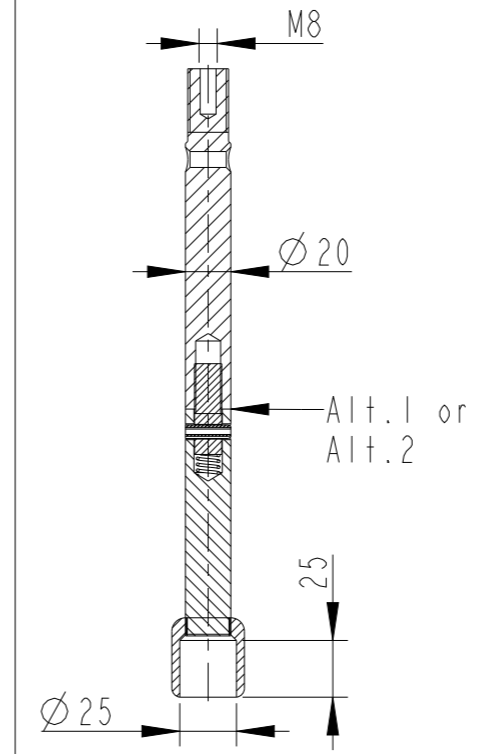
INNER TERMINAL FOR STRANDED CABLE



END SHIELD



SOLID ROD CONNECTOR



The solid rod can be divided either:
 Alt.1: 20mm below the bushing flange or
 Alt.2: 20mm below the upper end of the bottom porcelain

- 1) M12 (For Earthing)
- 2) Ø4 Oil connection hole (only valid for horizontal mounting)

Revision	Revision text
D	Phase to Ground Voltage changed from 52 to 30kV

Bushing Data:

Rated Voltage	52	kV
Phase to Ground Voltage	Δ 30	kV
Dry Lightning Impulse 1,2/50µs	250	kV
Wet power frequency AC	105	kV
Routine test 1min dry 50Hz	120	kV
Rated Current	800	A
Creepage Distance	1690±50	mm
Creepage Distance Protected	650	mm
Mass	35	kg

Ordering Data:

BUSHING	COLOUR AIR INSULATOR	
LF123173-K	BROWN	
LF123173-L	LIGHT GREY	
LF123173-HK	BROWN Horizontal 45°-90°	
LF123173-HL	LIGHT GREY Horizontal 45°-90°	
OUTER TERMINAL	Material	D L
LF 170 002-A	Cu Alloy	Ø30 125
LF 170 001-A	Al	Ø30 125
OTHER TYPES ON REQUEST		
INNER TERMINAL FOR STRANDED CABLE	Conductor area	D1
LF 170 011-S	up to 150mm²	Ø18
LF 170 011-U	Undrilled with pilot hole	Ø5
For crimping or brazing	Conductor area	D1
LF 170 010-M	50mm²	Ø11
LF 170 010-N	70mm²	Ø13
LF 170 010-L	95mm²	Ø15
SOLID ROD CONNECTOR	Material	
LF 170 019-AS for Alt.1	Cu	
LF 170 019-AT for Alt.2	Cu	

ABB		Ludvika, Sweden	
No.			
Um	kV Ir	A	50/60 Hz
BL	kV SL	kV AC	kV
M	kg L	mm	∇
C1	pF Tan δ	x	
C2	pF Tan δ	x	

Created by Jacob Stefansson	Reviewed by Joakim Persson	Approved by Natalia Gutman
Approved 2020-01-14	Document Kind Outline Drawing	Based on doc.id Work order id Project id
Company ABB Technology Ltd	Title, Supplementary title GOB 250-800-0.3 WITH OIL LEVEL GAUGE STD END SHIELD	
Responsible Department SEABB-9AAE300824	Document id 2751369-171	Status Released
ABB	Revision D	Iteration 1/1
	Sheet 1/1	