

SAFETY PRODUCTS

## Installation Guide

### JSM D24 Mounting kit for Eva with Magne on hinged door

Product ID: 2TLA042023R0300 JSM D24 Mounting kit for Eva on hinged door when used with Magne with integrated Adam.

No.	Part	Quantity	Comments
1.	Bracket	1	
2.	Screws	2	M4 x 14 mm, max. 0.5 Nm. Choose relevant screw length depending on used number of DA 1B distance plates.
		2	M4 x 20 mm, max. 0.5 Nm
3.	DA 2B Distance ring	2	
4.	DA 1B Distance plate	2	To minimize the gap and secure the distance between Eva and bracket, install none, one or two DA 1B distance plates. See more in 'Magne 3 and 4 Product Manual' section 'Positioning and orientation of Eva with Magne 4'.
C.	Alternative positioning of EVA unit (rotated 180° compared to alt.B)		

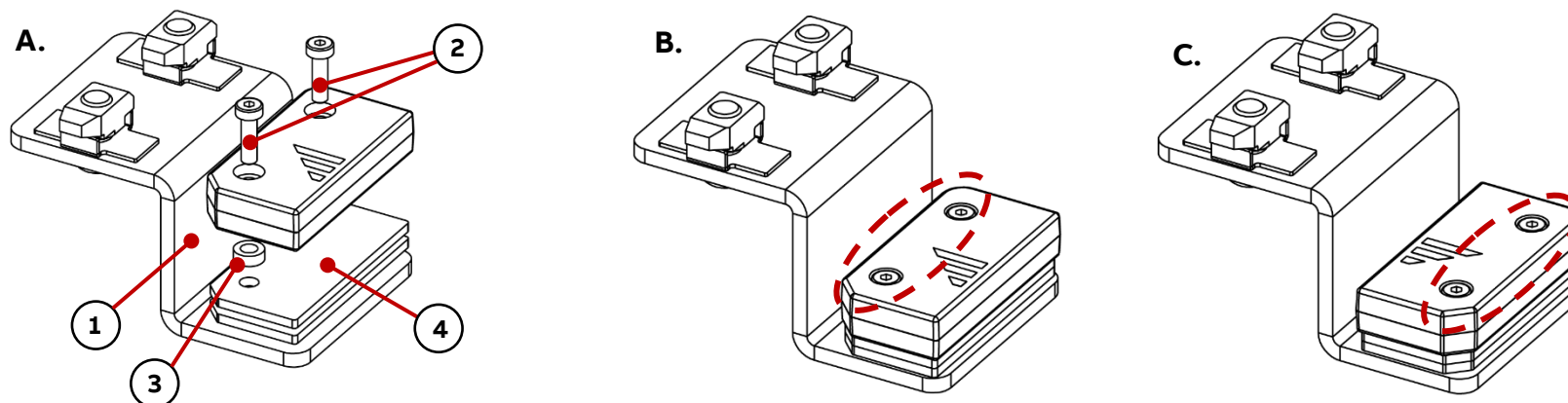


ABB AB Jokab Safety, Varlabergsvägen 11, S-434 39 Kungsbacka, SWEDEN