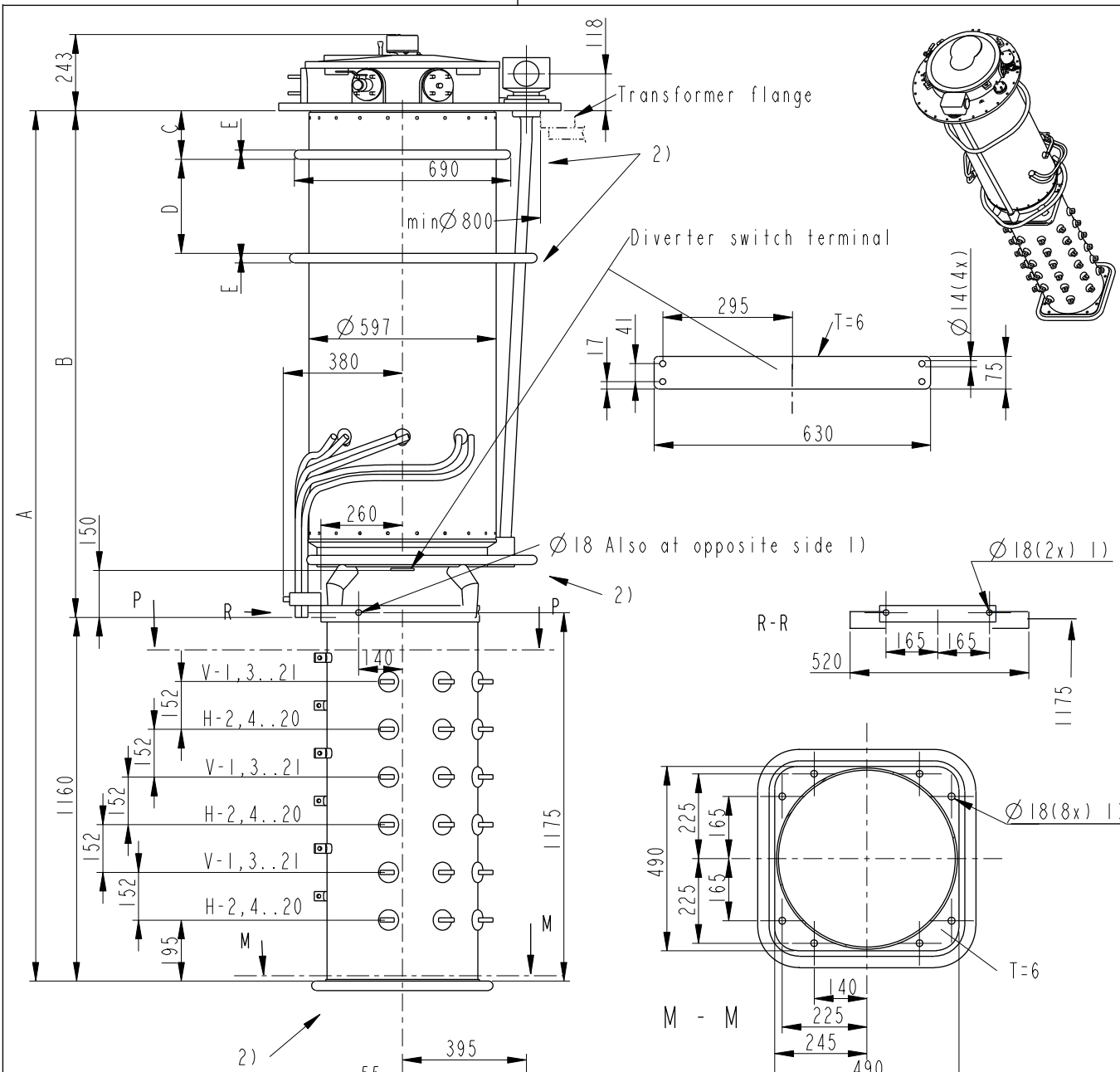


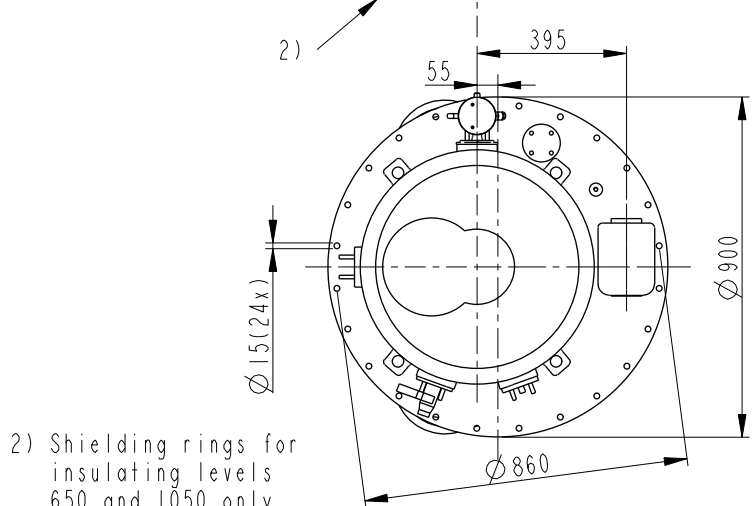
We reserve all rights in this document and in the information contained therein. Reproduction, use or disclosure to third parties without express authority is strictly forbidden. ©ABB



1) Holes for mounting of supports for cleats and leads.

INSULATION LEVEL kV	380	650	1050
A	2575 a)	2775 a)	2975 a)
B	1415 a)	1615 a)	1815 a)
C	-	155 a)	158 a)
D	-	300	494
E	-	30	36
H	-	580	586

a) For mounting on active part use A+85, B+85 and C+85 (See also Drawing 54920086-1)



Inspection engineering review

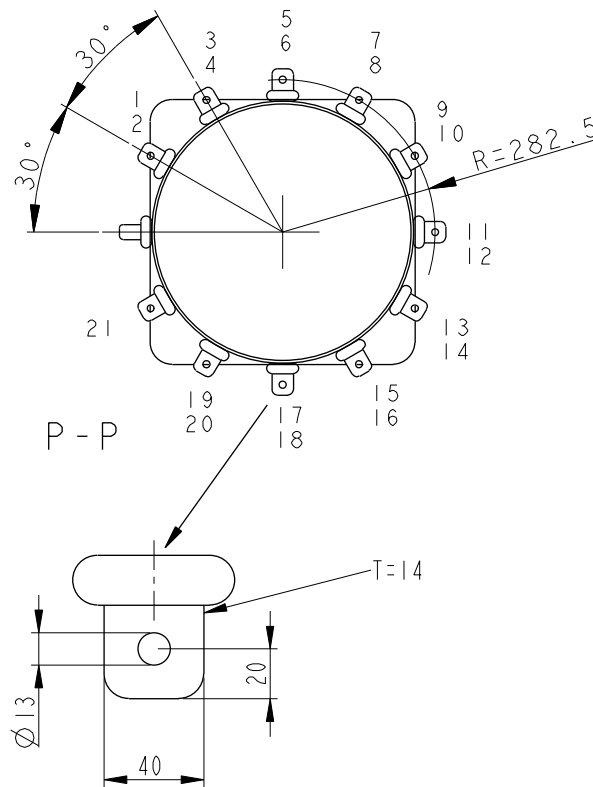
Production engineering review

Design engineering review

Based on	Reg. No.	Title TAP-CHANGER UCLL UCLLN XXXX/900/III 21 pos		
Prepared T Eriksson 04-05-06	Responsible department PTTR/CO/TK			Language en
Approved M Eriksson	Take over department			Page 1(2)
Revision Rev 2 06-10-06	Database DIMENSION_DWGS			Document No. 54920085-26
ABB Components				

We reserve all rights in this document and in the information contained therein. Reproduction, use or disclosure to third parties without express authority is strictly forbidden. ©ABB

21 POS



ADDITIONAL DRAWINGS:
Connection Diagram: 5492 0095-83
Mounting on active part: 54920086-1
Accessories: 54920086-2
Motor Drive BUL: 54830001-1
Motor Drive BUE: 54830001-2 or -3
External Drive Shaft: 54920083-4
Pressure Relay: 54920083-2
Bevel Gear: 54920083-1

Based on	Reg. No.	Title TAP-CHANGER UCLL	
Prepared T Eriksson 04-05-06	Responsible department PTTR/CO/TK		
Approved M Eriksson	Take over department	UCLLN XXXX/900/111	Page 2(2)
Revision	Database DIMENSION_DWGS	Document No.	
		54920085-26	

ABB Components

54920085-26

Inspection engineering review

Production engineering review

Design engineering review