

# Hazlux® H3 LED

## Generation 2

A safe, dependable and rugged luminaire with an exclusive design that maximizes heat dissipation and offers excellent performance.

### CLASSIFICATION

CLASS I	
Division 2	Groups A, B, C, D
Zone 2	Groups IIC, IIB, IIA
CLASS II	
Division 1*	Groups E, F, G*
Division 2	Groups F, G
CLASS III	

\* Contact your ABB sales representative to verify classification

Field-replaceable driver

Life expectancy: 50,000 to 100,000 hours

Maximizes heat dissipation for higher T-ratings, extended life in extreme ambient temperatures and extra safety

Baked epoxy powder finishes and stainless steel exposed hardware for corrosion resistance

Hinged design for hands-free wiring

Dimming control 0-10 V DC standard

Light output from 5,600 up to 20,100 lumens

### CERTIFICATIONS



Not all DL Series are DLC qualified. For all qualified products, please visit: [www.designlights.org/qpl](http://www.designlights.org/qpl)



**ENERGY SAVINGS**

---

**15%**  
higher  
efficacy  
lm/W

## Hazlux® H3 LED Generation 2

### Key features and benefits

#### Hinged design for hands-free wiring

Easy tank access allows Hazlux® lighting fixtures to be maintained quickly and safely. The hinged lid is designed to support the weight of the tank, leaving both the installer's hands free.

#### Robust construction

Cast copper-free aluminum construction offers corrosion resistance in a strong and durable fixture. Baked epoxy powder finishes and stainless steel exposed hardware provide additional corrosion resistance.

#### Field-replaceable driver

The driver is designed in its own compartment so it can be easily replaced in the field.

#### Impressive life expectancy

Life expectancy of 50,000 to 100,000 hours.

#### Certifications

Easily identifiable nameplate displays third-party certification for all electrical and hazardous location ratings as required by the National Electrical Code, Canadian Electrical Code, OSHA regulations and CUL to provide peace of mind, confirming that the correct lighting fixture with the required certifications is in place.

#### Versatile optics include internal reflector options for light distribution

The Hazlux H3 LED Generation 2 fixture is available with a thermal-resistant globe and a variety of internal reflectors with 35°, 45° and 65° beam angles.

#### 6 kV combi-wave surge rating

ANSI C82.77-5 CAT C low compliant

ANSI surge type	Differential mode (L-N)	Common mode (L-G, N-G, LandN-G)
1.2/50 μs combination wave (w/t 2 Ω)	6 kV	6 kV

#### High efficacy luminaire

Model	AC Power (W)	Lumens	Lm/W
DL005	37	5,600	151
DL007	48	7,500	156
DL010	74	10,500	142
DL015	103	15,800	153
DL017	115	17,300	150
DL020	138	20,100	146

#### Better temperature codes

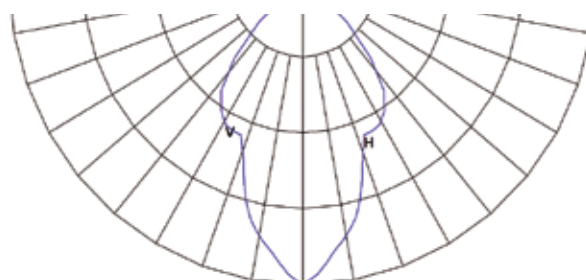
With an exclusive design that maximizes heat dissipation, Hazlux LED fixtures lower internal temperature allows for higher T-rating and extended LED and driver life in extreme ambient temperatures. With the entire luminaire acting as a heat sink, Hazlux LED fixtures allow for better performance.

#### Temperature codes

	Class I Zone 2 Groups IIC, IIB, IIA	Class I Division 2 Groups A, B, C, D	Class II Groups E, F, G	Simultaneous Class I Division 2 and Class II
<b>Glass globe DL005, DL007, DL010</b>				
Ambient temp. 40°C	T5	T5	T6	T5
Ambient temp. 55°C	T4	T4A	T6	T4A
<b>Glass globe DL005, DL007, DL010 with internal reflector I3, I4, I6</b>				
Ambient temp. 40°C	T4	T4A	T6	T4A
<b>Glass globe DL015, DL017, DL020</b>				
Ambient temp. 40°C	T4	T4A	T4A	T4A
<b>Optic type cut DL005, DL007, DL010</b>				
Ambient temp. 40°C	T5	T5	T5*	T5*
Ambient temp. 55°C	T4	T4A	T4A*	T4A*
<b>Optic type cut DL015, DL017, DL020</b>				
Ambient temp. 40°C	T4	T4A	T4A*	T4A*

\* Cut reflector: Class II, Division 2, Groups F, G

#### Beam angles



## Hazlux® H3 LED Generation 2

Build your luminaire



### 01 Choose a mounting option



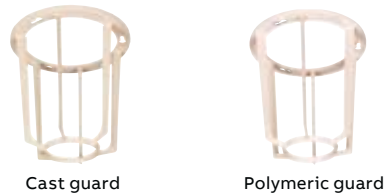
### 02 Add ballast tank



### 03 Choose a globe or refractor



### 04 Choose a guard (N/A for CUT)



# Hazlux® H3 LED Generation 2

## Numbering system

LED driver tank						Optics		Mounting		Options		Certification
DL	0	10	E	UN	0	TG	C	C2	E	T	I6	U
<b>1</b>	<b>2</b>	<b>3</b>	<b>4</b>	<b>5</b>	<b>6</b>	<b>7</b>	<b>8</b>	<b>9</b>	<b>10</b>	<b>11</b>	<b>12</b>	<b>13</b>

### 01. LED driver tank

Part	Part number	Description
<b>1</b> Fixture series	<b>DL</b>	Hazlux H3 Gen 2
<b>2</b> Fixture	<b>0</b>	Standard fixture
<b>3</b> Lumen output	<b>05</b>	5,600 lumens, 37 W
	<b>07</b>	7,500 lumens, 48 W
	<b>10</b>	10,500 lumens, 74 W
	<b>15</b>	15,800 lumens, 103 W
	<b>17</b>	17,300 lumens, 115 W
	<b>20</b>	20,100 lumens, 138 W
<b>4</b> Driver circuit	<b>E</b>	Electronic LED driver with dimming 0–10 VDC
<b>5</b> Voltage / Frequency	<b>UN</b>	Universal 120–277 V AC 50/60 Hz (voltage range includes 208 V, 220 V, 240 V etc.)
	<b>UN2</b>	Universal 347/480 V AC 50/60 Hz
<b>6</b> LED Driver housing style	<b>0</b>	Standard housing
	<b>S</b>	Standard housing with stainless-steel insert

### 02. Optics

Part	Part number	Description
<b>7</b> Optical assembly <sup>1</sup>	<b>TG</b>	Thermal shock-resistant globe
	<b>R1</b>	Type i glass refractor globe
	<b>R3</b>	Type iii glass refractor globe
	<b>R5</b>	Type v glass refractor globe
	<b>CUT</b>	Dark sky cut-off polycarbonate flat lens
	<b>Blank</b>	No guard
<b>8</b> Guard option	<b>C</b>	Cast aluminum guard
	<b>L</b>	Polymeric guard

<sup>1</sup> For silicone coating, add prefix "S" before the first digit. Not applicable to CUT.



### 03. Mounting

Part	Part number	Description
<b>9</b> Mounting style	<b>A2</b>	¾" Cone-top pendant
	<b>A3</b>	1" Cone-top pendant
	<b>B2</b>	¾" Wall
	<b>B3</b>	1" Wall
	<b>C2</b>	¾" Ceiling mount / pendant
	<b>C3</b>	1" Ceiling mount / pendant
	<b>L4</b>	1¼" Straight stanchion
	<b>L5</b>	1½" Straight stanchion
	<b>P2</b>	¾" Rigid pendant
	<b>P3</b>	1" Rigid pendant
	<b>S4</b>	1¼" 25° Angle stanchion
	<b>S5</b>	1½" 25° Angle stanchion
<b>Blank</b>	No mounting (to replace existing fixt.)	
<b>10</b> Unipak™	<b>E</b>	Unipak™ with LED lamp

### 04. Options

Part	Part number	Description
<b>11</b> Special options	<b>T</b>	Hazcote® black custom anti-corrosion coating (consult factory)
	<b>G</b>	Grey color option
<b>12</b> Light distribution options	<b>I3</b>	Internal reflector 35° beam angle <sup>2</sup>
	<b>I4</b>	Internal reflector 45° beam angle <sup>2</sup>
	<b>I6</b>	Internal reflector 65° beam angle <sup>2</sup>
	<b>K</b>	Special Kelvin color temperature (consult factory)

<sup>2</sup> DL005, DL007 and DL010 only, maximum 40 °C (104 °F) ambient temperature

### 05. Certification

Part	Part number	Description
<b>13</b> Certification	<b>(blank)</b>	Canadian market
	<b>U</b>	U.S market

## Hazlux® H3 LED Generation 2

### Individual components

#### Mounting options<sup>1</sup>

Part number	Description	Conduit hub size (in.)
VA2	Cone-top pendant	¾
VA3		1
VC2	Ceiling and pendant mount	¾
VC3		1
VB2-VIB	Wall mount	¾
VB3-VIB		1
P2	Rigid pendant	¾
P3		1
VS4-VIB	25° Angle stanchion	1¼
VS5-VIB		1½
VL4-VIB	Straight stanchion	1¼
VL5-VIB		1½
HV3*	Hazvertor™ adapter ring ceiling, pendant <sup>2</sup> and straight stanchion top hats (APM2, APM3, CM2, CM3, PM5, and QM25) <sup>2</sup>	-
HV4*	Hazvertor™ adapter ring stanchion angle mount (JM5 style) <sup>2</sup>	-
HV5*	Hazvertor™ adapter ring wall mount (TWM2 and TWM3 styles) <sup>2)</sup>	-



#### Globes or refractors

Part number	Description
VGT15	Heat-resistant prismatic glass globe
VGL15R1	IES type I refractor globe
VGL15R3	IES type III refractor globe
VGL15R5	IES type V refractor globe
CUT	Dark sky cut-off reflector with polycarbonate flat lens

#### Guards

Part number	Description
VGU22	Cast guard
VGU22P	Polymeric guard

<sup>1</sup> For stainless steel inserts, please add "SI" to part no. (ex:VA2SI).

<sup>2</sup> HV3, HV4 and HV5 Hazvertor adapter rings are CSA/CSAus certified and intended for use with Crouse-Hinds® top hats indicated. They are not compatible with HPM2 top hats.

Crouse-Hinds is a registered trademark of Cooper Technologies Company.

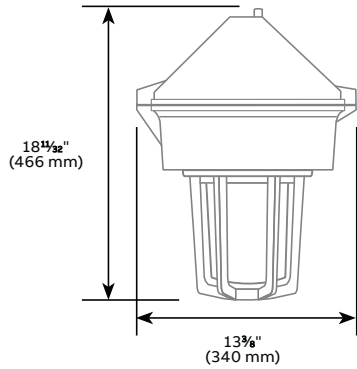
#### LED drivers

Part number	Driver
DL005	183.0024-005
DL007	183.0024-007
DL010	183.0024-010
DL015	183.0026-015
DL017	183.0026-017
DL020	183.0026-020

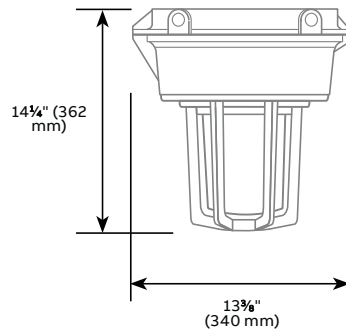
## Hazlux® H3 LED Generation 2

Dimensions — housing with mounting top, globe and guard

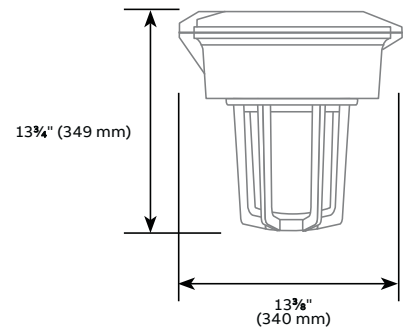
**Cone-top pendant**



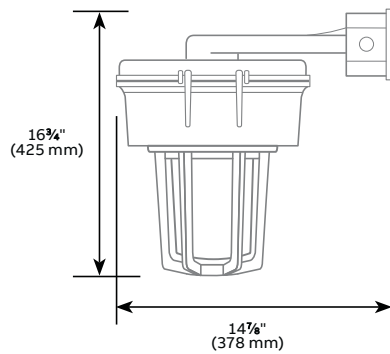
**Ceiling and pendant mount**



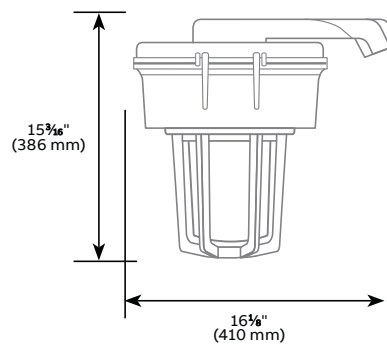
**Rigid pendant mount**



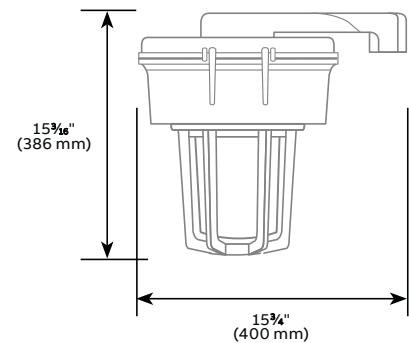
**Wall mount**



**25° Angle stanchion**



**Straight stanchion**



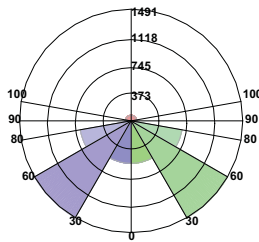
## Hazlux® H3 LED Generation 2

Photometry reference data — ceiling mount

### Standard globe

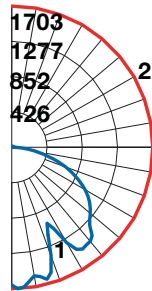
Catalog number	DL005EUN0-TGC2
Luminaire lumens	5,764
Luminaire efficacy rating (LER)	156
Input watts	37.01
Spacing criterion	0.88
Spacing criterion (90–270)	0.88
Spacing criterion (diagonal)	1.52

#### Luminaire classification system



BUG rating : B2-U3-G1

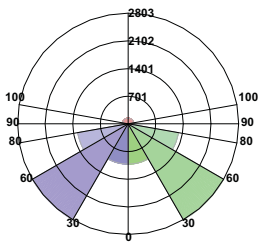
#### Candlepower curve



### Standard globe

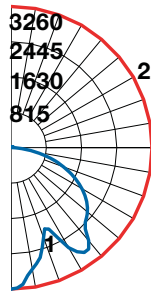
Catalog number	DL010EUN0-TGC2
Luminaire lumens	10,739
Luminaire efficacy rating (LER)	148
Input watts	72.44
Spacing criterion	0.82
Spacing criterion (90–270)	0.82
Spacing criterion (diagonal)	1.46

#### Luminaire classification system



BUG rating : B3-U3-G2

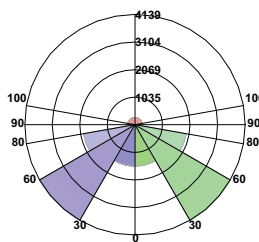
#### Candlepower curve



### Standard globe

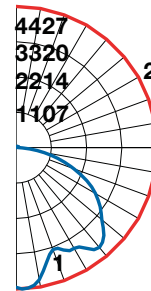
Catalog number	DL015EUN0-TGC2
Luminaire lumens	16,110
Luminaire efficacy rating (LER)	155
Input watts	103.66
Spacing criterion	1.32
Spacing criterion (90–270)	1.32
Spacing criterion (diagonal)	1.58

#### Luminaire classification system



BUG rating : B3-U3-G3

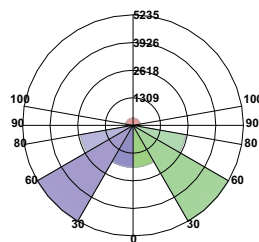
#### Candlepower curve



### Standard globe

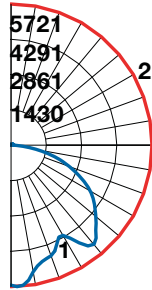
Catalog number	DL020EUN0-TGC2
Luminaire lumens	20,530
Luminaire efficacy rating (LER)	148
Input watts	139.02
Spacing criterion	1.10
Spacing criterion (90–270)	1.10
Spacing criterion (diagonal)	1.56

#### Luminaire classification system



BUG rating : B4-U3-G3

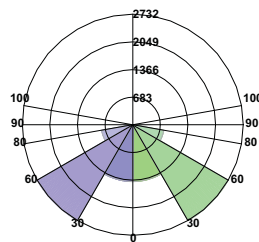
#### Candlepower curve



### CUT reflector

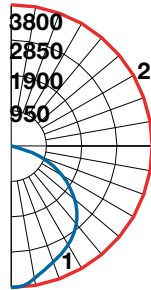
Catalog number	DL010EUN0-CUTC2
Luminaire lumens	9,846
Luminaire efficacy rating (LER)	136
Input watts	72.47
Spacing criterion	1.22
Spacing criterion (90–270)	1.22
Spacing criterion (diagonal)	1.38

#### Luminaire classification system



BUG rating : B3-U0-G1

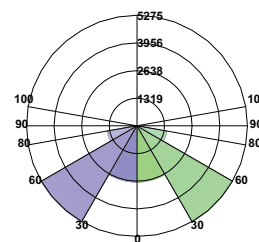
#### Candlepower curve



### CUT reflector

Catalog number	DL020EUN0-CUTC2
Luminaire lumens	18,841
Luminaire efficacy rating (LER)	136
Input watts	138.8
Spacing criterion	1.30
Spacing criterion (90–270)	1.30
Spacing criterion (diagonal)	1.42

#### Luminaire classification system



BUG rating : B4-U0-G1

#### Candlepower curve

