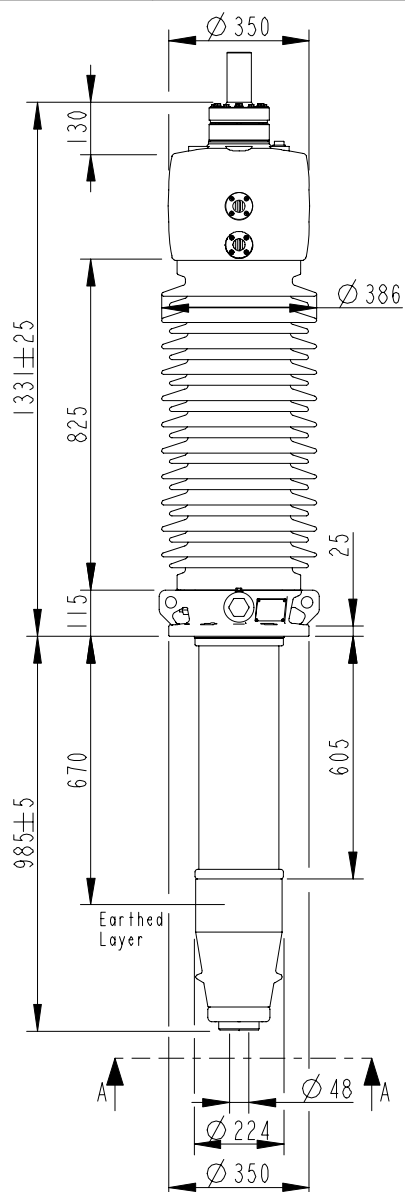


This document is issued by means of a computerized system. The digitally stored original is electronically approved. The approved document has a date entered in the "Approved"-field. A manual signature is not required.

We reserve all rights in this document and in the information contained therein. Reproduction, use or disclosure to third parties without express authority is strictly forbidden.

Revision: Revision text
 K Drawing Title changed.



Bushing Data:

Rated Voltage	52 kV
Phase to-earth Voltage	30 kV
Dry Lightning Impulse 1,2/50µs	250 kV
Wet Switching Impulse	210 kV
Wet Power frequency AC	120 kV
Routine test Imin dry 50Hz	120 kV
Rated Current	3150 A
Creepage Distance	2955 mm
Mass	250 kg

Ordering Data:

BUSHING	COLOUR	AIR INSULATOR
IZSC902052-AAB	BROWN	
IZSC902052-DAB	LIGHT GREY	

OUTER TERMINAL		Max. Rated H2	D2
		Current (A)	(mm)
LF170 073-A	Al	2500	125
LF170 073-B	Cu	4000	125
LF170 073-G	Cu/Ag	4000	125
LF170 073-L	Cu/Sn	4000	125
LF170 073-BA	Cu/Ag	3000	125
LF170 073-AA	Cu	5000	115

END-SHIELD

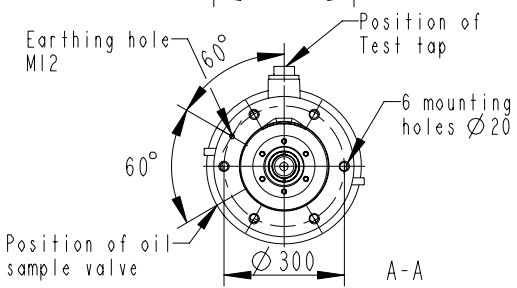
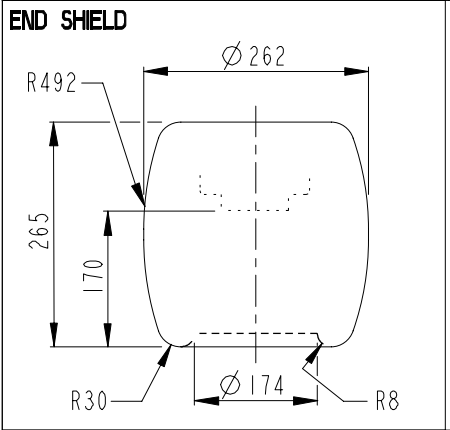
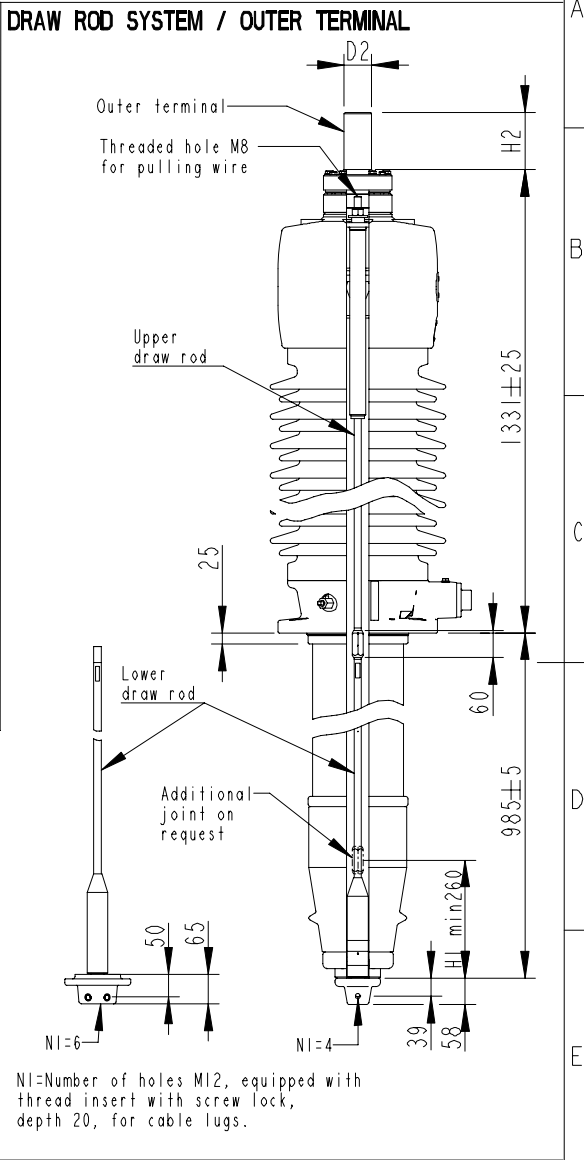
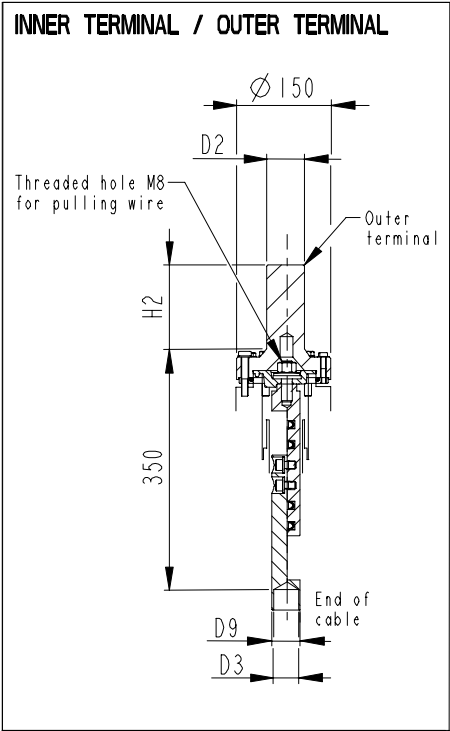
	EPOXY INSULATED
LF170 046-U	
LF170 046-UP	INSULATED WITH 3 mm PRESSBOARD

DRAW ROD SYSTEM

	LOWER DRAW ROD WITH NI=4 OR NI=6
LF170 059	
LF170 057	UPPER DRAW ROD

INNER TERMINAL		Cond.area	Current (A)
D3	D9	(mm)(mm ²)	IEC
LF170 056-E	0 *	45 -	-
LF170 056-D	40	45 600	1600

* WITH PILOT HOLE D=5



ABB, Luleå, Sweden

No.	Um/Uy	kV Ir	A	50/60 Hz
BL	kV SL	kV AC	mm	°
M	kg L	mm	✓	
Cl	pF Tanδ	x		
C2	pF Tanδ	x		

Created by Dhanasekar P	Reviewed by Joakim Persson	Approved by Natalia Gutman
Approved 2020-06-03	Document Kind Assembly Drawing	Based on doc.id Work order id Project id
Company ABB AB	Title, Supplementary title GOE 250-210-3150-0,6	
Responsible Department SEABB-9AAE300824	GOE 250-210-3150-0.6	
Document id 2751369-298		Status Released
		Revision K
		Iteration 1/1