

V_{DRM}	=	4500 V
I_{TGQM}	=	6500 A
I_{TSM}	=	$36 \cdot 10^3$ A
V_{T0}	=	1.11 V
r_T	=	0.297 m Ω
V_{DC}	=	2800 V

Asymmetric Integrated Gate-Commutated Thyristor

5SHY 65L4521

Preliminary

Doc. No. 5SYA1261-01 Sep. 20

- High snubberless turn-off rating
- Optimized for low on-state losses
- High electromagnetic immunity
- Simple control interface with status feedback
- AC or DC supply voltage
- Option for series connection (contact factory)



Blocking

Maximum rated values ¹⁾

Parameter	Symbol	Conditions	min	typ	max	Unit
Rep. peak off-state voltage	V_{DRM}	Gate Unit energized			4500	V
Permanent DC voltage for 100 FIT failure rate of GCT	V_{DC}	Ambient cosmic radiation at sea level in open air. Gate Unit energized			2800	V
Reverse voltage	V_{RRM}				17	V
Critical rate of rise of commutating voltage dV/dt, Gate Unit unpowered: contact factory						V/ μ s

Characteristic values

Parameter	Symbol	Conditions	min	typ	max	Unit
Rep. peak off-state current	I_{DRM}	$V_D = V_{DRM}$, Gate Unit energized			35	mA

¹⁾ Maximum rated values indicate limits beyond which damage to the device may occur

Mechanical data (see Fig. 11, 12)

Maximum rated values ¹⁾

Parameter	Symbol	Conditions	min	typ	max	Unit
Mounting force	F_M		50	55	60	kN

Characteristic values

Parameter	Symbol	Conditions	min	typ	max	Unit
Pole-piece diameter	D_p	± 0.1 mm		85		mm
Housing thickness	H		25.3		25.8	mm
Weight	m				2.9	kg
Surface creepage distance	D_s	Anode to Gate	33			mm
Air strike distance	D_a	Anode to Gate	10			mm
Length	l	± 1.0 mm		439		mm
Height	h	± 1.0 mm		41		mm
Width IGCT	w	± 1.0 mm		173		mm

ABB Power Grids Switzerland Ltd, Semiconductors reserves the right to change specifications without notice.

HITACHI

ABB

GCT Data

On-state (see Fig. 3, 4, 5, 6, 14)

Maximum rated values ¹⁾

Parameter	Symbol	Conditions	min	typ	max	Unit
Max. average on-state current	$I_{T(AV)M}$	Half sine wave, $T_C = 85\text{ °C}$, Double side cooled			2660	A
Max. RMS on-state current	$I_{T(RMS)}$				4170	A
Max. peak non-repetitive surge on-state current	I_{TSM}	$t_p = 10\text{ ms}$, $T_{vj} = 140\text{ °C}$, sine half wave, $V_D = V_R = 0\text{ V}$, after surge			$36 \cdot 10^3$	A
Limiting load integral	I^2t				$6.48 \cdot 10^6$	A ² s
Stray inductance between GCT and antiparallel diode	L_D	Only relevant for applications with antiparallel diode to the IGCT			200	nH
Critical rate of rise of on-state current	$di_T/dt_{(cr)}$	For higher di_T/dt and current lower than 100 A an external retrigger pulse is required.			200	A/ μ s

Characteristic values

Parameter	Symbol	Conditions	min	typ	max	Unit
On-state voltage	V_T	$I_T = 4000\text{ A}$, $T_{vj} = 140\text{ °C}$	1.80	2.05	2.30	V
Threshold voltage	$V_{(T0)}$	$I_T = 1000\text{ A} - 5000\text{ A}$, $T_{vj} = 140\text{ °C}$		0.995	1.11	V
Slope resistance	r_T				0.264	0.297

Turn-on switching (see Fig. 14, 15)**Maximum rated values** ¹⁾

Parameter	Symbol	Conditions	min	typ	max	Unit
Critical rate of rise of on-state current	$di_T/dt_{(cr)}$	$f = 0 \text{ Hz} - 160 \text{ Hz}$, $V_D = 2800 \text{ V}$, $T_{vj} = 0 \text{ °C} - 140 \text{ °C}$, $I_T = 6500 \text{ A}$, $I_{TM} \leq 9500 \text{ A}$			1900	A/ μs

Characteristic values

Parameter	Symbol	Conditions	min	typ	max	Unit
Turn-on delay time	$t_{d(on)}$	$V_D = 2800 \text{ V}$, $T_{vj} = 140 \text{ °C}$, $I_T = 4000 \text{ A}$,			4	μs
Turn-on delay time status feedback	$t_{d(on) SF}$	$di_T/dt = V_D / L_i$, $L_i = 1.5 \mu\text{H}$, $C_{CL} = 10 \mu\text{F}$, $L_{CL} = 200 \text{ nH}$,			7	μs
Rise time	t_r	$D_{FWD} = 5\text{SDF } 20\text{L}4520$			3	μs
Turn-on energy per pulse	E_{on}	$D_{CL} = 5\text{SDF } 10\text{H}4503$			2.5	J

Turn-off switching (see Fig. 2, 7, 8, 10, 14, 15)**Maximum rated values** ¹⁾

Parameter	Symbol	Conditions	min	typ	max	Unit
Max. controllable turn-off current	I_{TGQM}	$T_{vj} = 0 \text{ °C} - 140 \text{ °C}$ $V_D = 2800 \text{ V}$, $V_{DM} \leq V_{DRM}$, $R_s = 0.65 \Omega$, $C_{CL} = 10 \mu\text{F}$, $L_{CL} \leq 200 \text{ nH}$, $D_{FWD} = 5\text{SDF } 20\text{L}4520$ $D_{CL} = 5\text{SDF } 10\text{H}4503$			6500	A

Characteristic values

Parameter	Symbol	Conditions	min	typ	max	Unit
Turn-off delay time	$t_{d(off)}$	$T_{vj} = 140 \text{ °C}$,			8	μs
Turn-off delay time status feedback	$t_{d(off) SF}$	$I_{TGQ} = 4000 \text{ A}$, $V_D = 2800 \text{ V}$, $V_{DM} \leq V_{DRM}$,			7	μs
Turn-off energy per pulse	E_{off}	$L_i = 1.5 \mu\text{H}$, $R_s = 0.65 \Omega$, $C_{CL} = 10 \mu\text{F}$, $L_{CL} = 200 \text{ nH}$, $D_{FWD} = 5\text{SDF } 20\text{L}4520$ $D_{CL} = 5\text{SDF } 10\text{H}4503$		23.5	32.0	J

Gate Unit Data

Power supply (see Fig. 2, 9, 10, 12, 13)

Maximum rated values ¹⁾

Parameter	Symbol	Conditions	min	typ	max	Unit
Gate Unit voltage (Connector X1)	$V_{Gin\ RMS}$	AC square wave amplitude (15 kHz - 100 kHz) or DC voltage. No galvanic isolation to power circuit.	28		40	V
Min. current needed to power up the Gate Unit	$I_{Gin\ Min}$	Rectified average current see application note 5SYA 2031	2			A
Gate Unit power consumption	$P_{Gin\ Max}$				130	W

Characteristic values

Parameter	Symbol	Conditions	min	typ	max	Unit
Internal current limitation	$I_{Gin\ Max}$	Rectified average current limited by the Gate Unit			8	A

Optical control input/output ²⁾

Maximum rated values ¹⁾

Parameter	Symbol	Conditions	min	typ	max	Unit
Min. on-time	t_{on}		40			μ s
Min. off-time	t_{off}		40			μ s

Characteristic values

Parameter	Symbol	Conditions	min	typ	max	Unit
Optical input power	$P_{on\ CS}$	CS: Command signal SF: Status feedback Valid for 1mm plastic optical fiber (POF)	-15		-1	dBm
Optical noise power	$P_{off\ CS}$				-45	dBm
Optical output power	$P_{on\ SF}$		-19		-1	dBm
Optical noise power	$P_{off\ SF}$				-50	dBm
Pulse width threshold	t_{GLITCH}	Max. pulse width without response			400	ns
External retrigger pulse width	t_{retrig}		700		1100	ns

Connectors ²⁾ (see Fig. 11, 12, 13)

Parameter	Symbol	Description
Gate Unit power connector	X1	AMP: MTA-156, Part Number 641210-5 ³⁾
LWL receiver for command signal	CS	Avago, Type HFBR-2521Z ⁴⁾
LWL transmitter for status feedback	SF	Avago, Type HFBR-1528Z ⁴⁾

2) Do not disconnect or connect fiber optic cables while light is on.

3) AMP, www.amp.com

4) Avago Technologies, www.avagotech.com

Visual feedback (see Fig. 13)

Parameter	Symbol	Description	Color
Gate OFF	LED1	"Light" when GCT is off	(green)
Gate ON	LED2	"Light" when gate-current is flowing	(yellow)
Fault	LED3	"Light" when not ready / Failure	(red)
Power supply voltage OK	LED4	"Light" when power supply is within specified range	(green)

Thermal

Maximum rated values ¹⁾

Parameter	Symbol	Conditions	min	typ	max	Unit
Junction operating temperature	T _{vj}		0		140	°C
Storage temperature range	T _{stg}		0		60	°C
Ambient operational temperature	T _a		0		50	°C

Characteristic values

Parameter	Symbol	Conditions	min	typ	max	Unit
Thermal resistance junction-to-case of GCT	R _{th(j-c)}	Double side cooled			6.8	K/kW
Thermal resistance case-to-heatsink of GCT	R _{th(c-h)}	Double side cooled			2.2	K/kW

Analytical function for transient thermal impedance:

$$Z_{th(j-c)}(t) = \sum_{i=1}^n R_i(1 - e^{-t/\tau_i})$$

i	1	2	3
R _i (K/kW)	2.790	2.700	1.290
τ _i (s)	0.7100	0.1500	0.0080

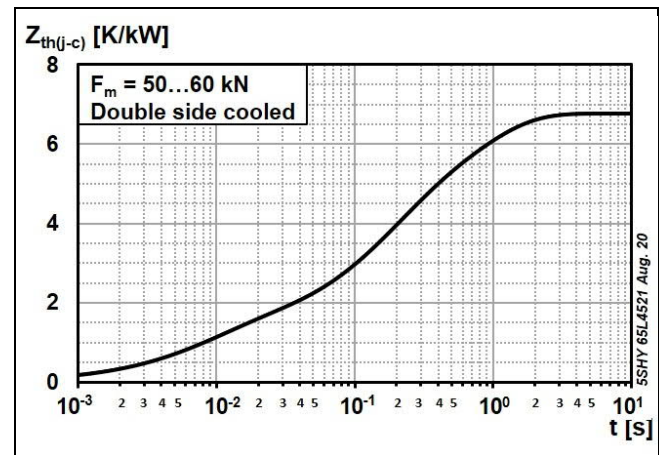


Fig. 1 Transient thermal impedance (junction-to-case) vs. time (max. values)

Max. Turn-off current for Lifetime operation

- calculated lifetime of on-board capacitors 20 years
- with slightly forced air cooling (air velocity > 0.5 m/s)
- strong air cooling allows for increased ambient temperature

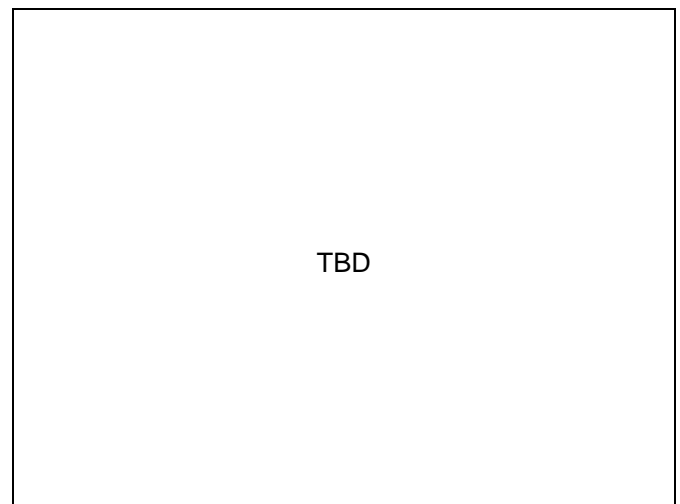


Fig. 2 Max. turn-off current vs. frequency for lifetime operation

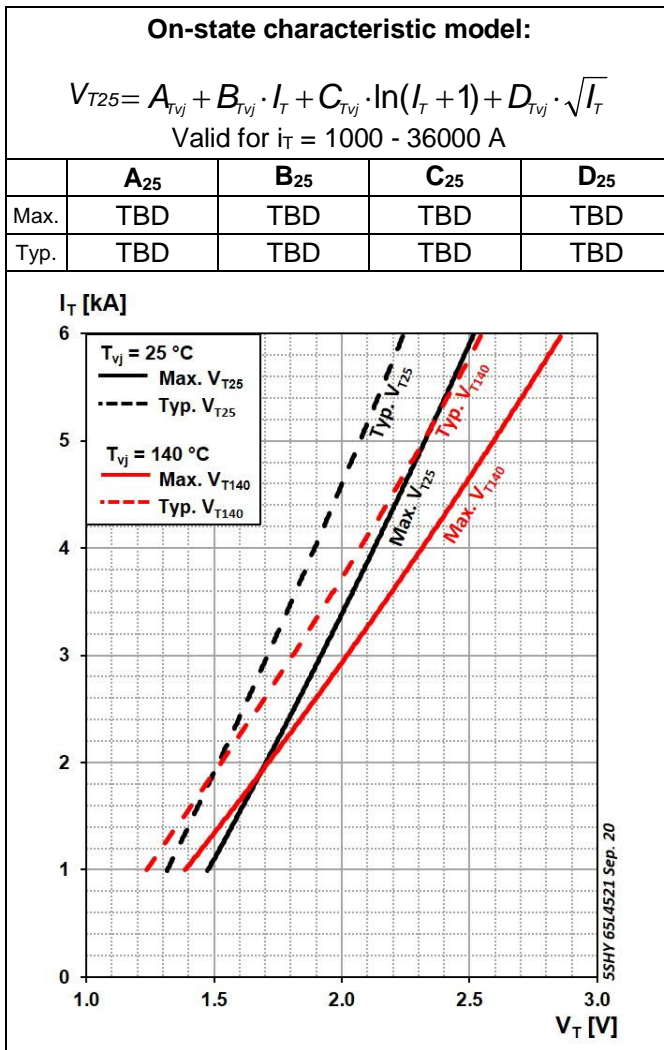


Fig. 3 GCT on-state voltage characteristics

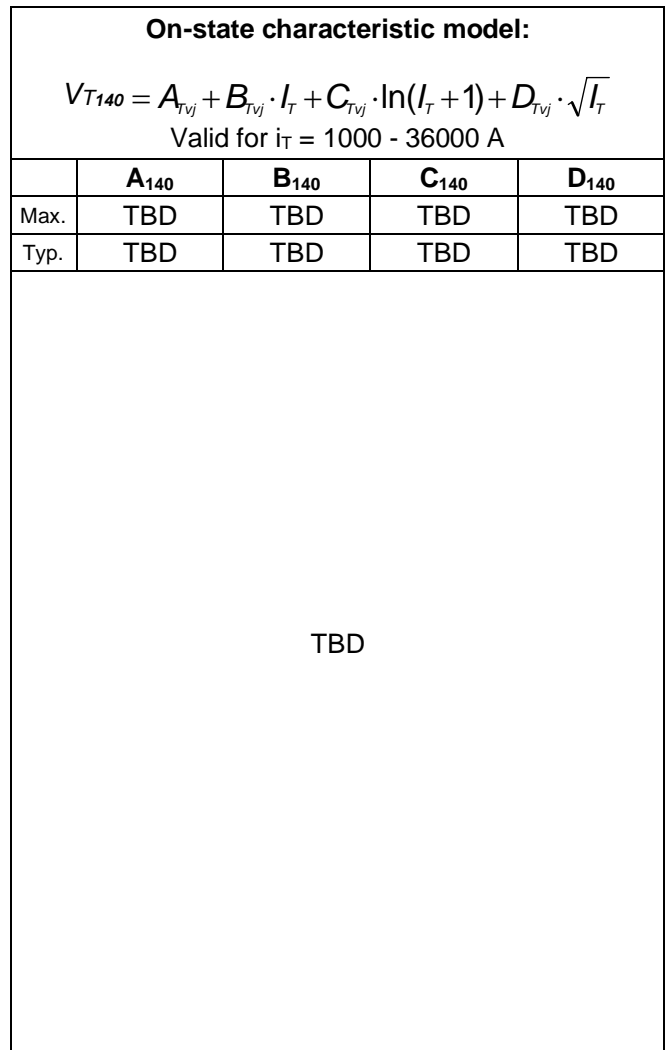


Fig. 4 GCT on-state voltage characteristics

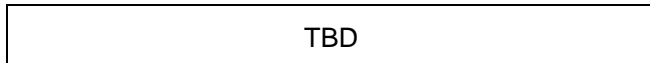


Fig. 5 Surge on-state current vs. pulse length, half-sine wave, no reapplied voltage

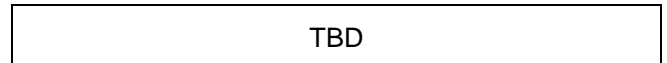


Fig. 6 Surge on-state current vs. number of pulses, half-sine wave, 10 ms, 50Hz, no reapplied voltage

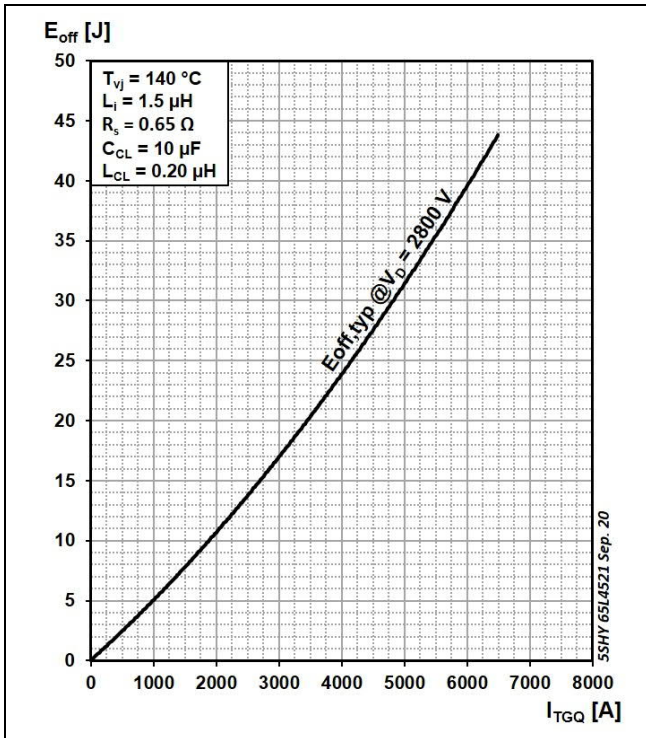


Fig. 7 GCT turn-off energy per pulse vs. turn-off current

TBD

Fig. 9 Max. Gate Unit input power in chopper mode

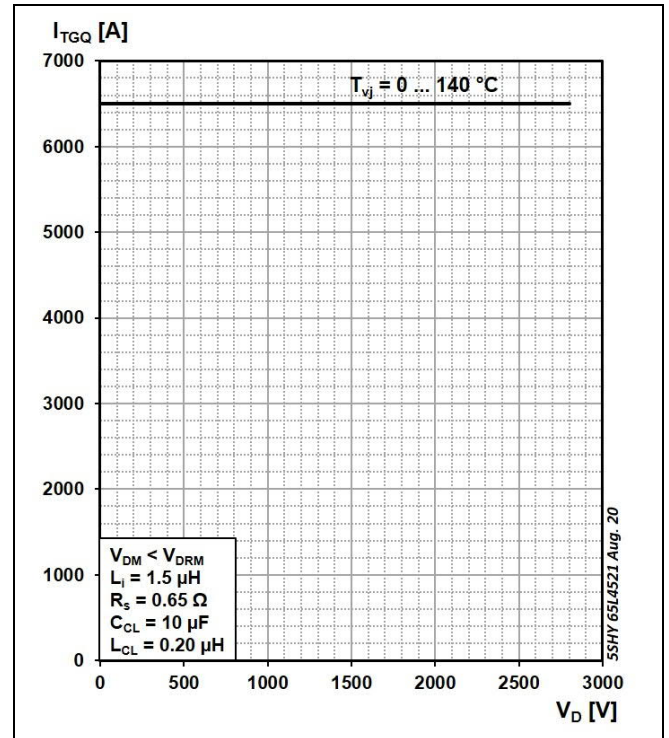


Fig. 8 Safe Operating Area

TBD

Fig. 10 Burst capability of Gate Unit

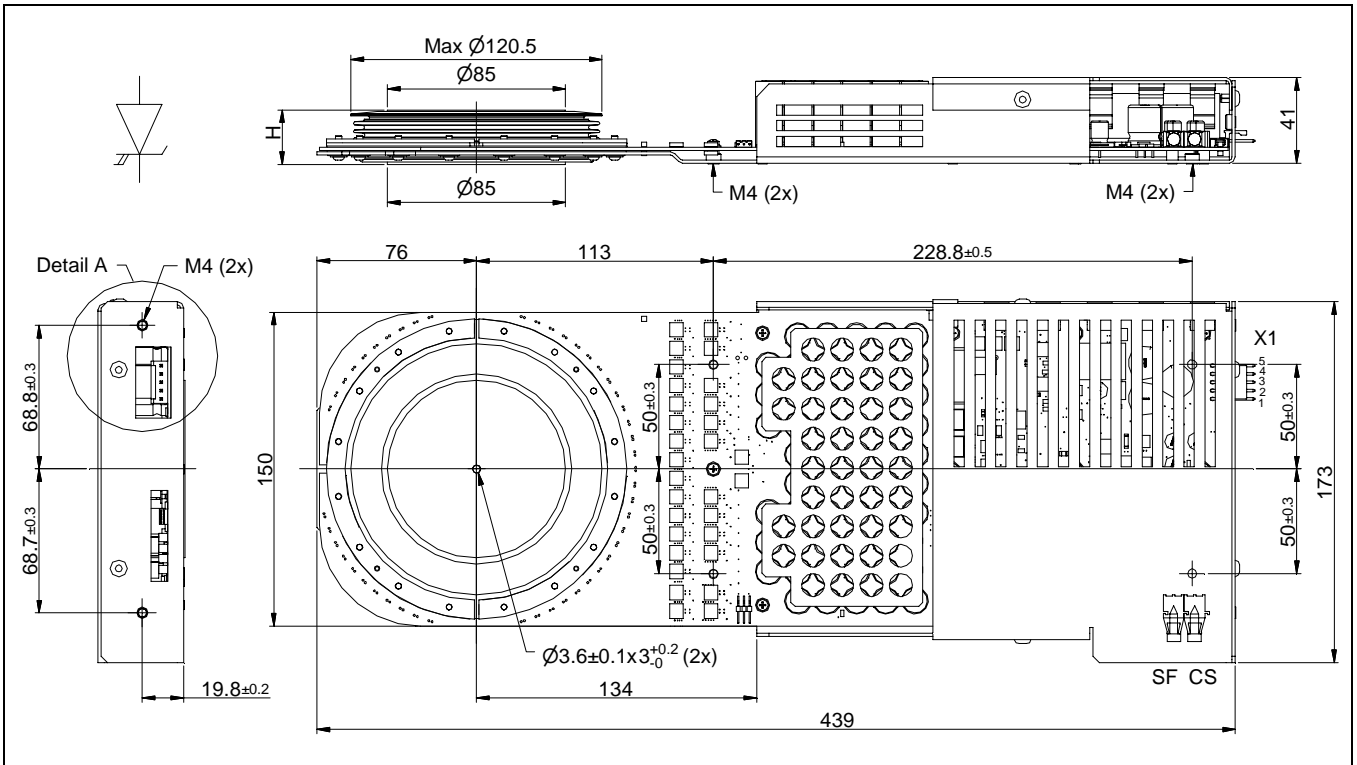


Fig. 11 Outline drawing; all dimensions are in millimeters and represent nominal values unless stated otherwise.

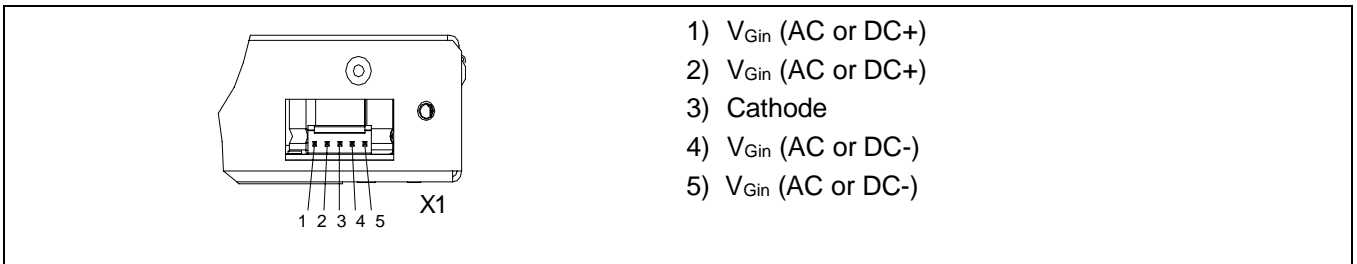


Fig. 12 Detail A: pin out of supply connector X1

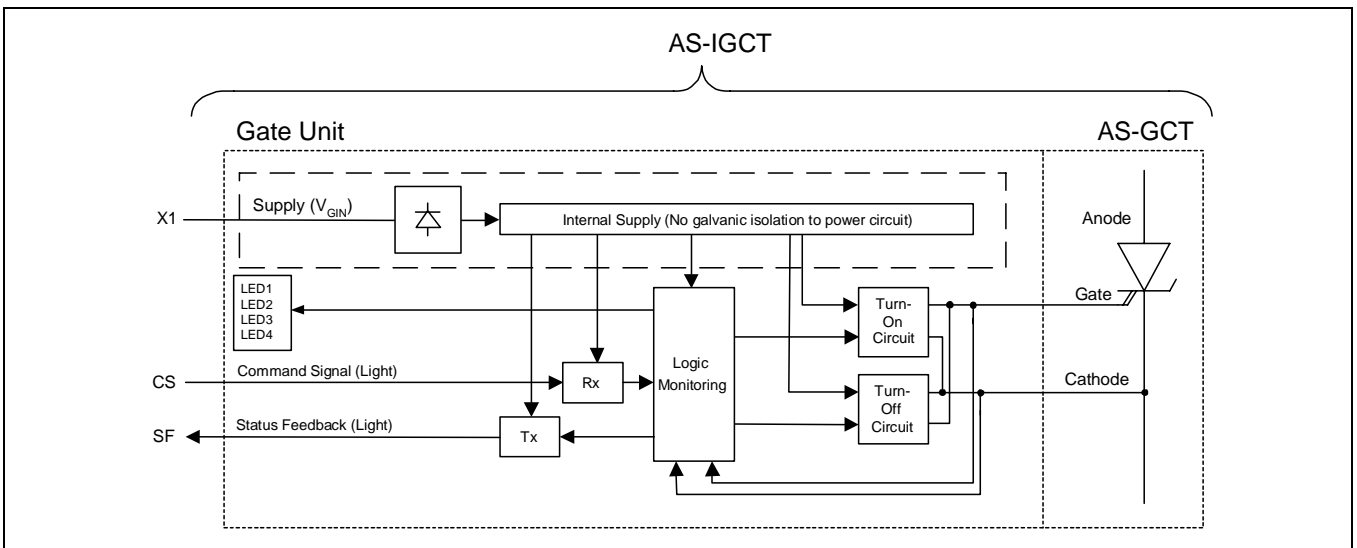


Fig. 13 Block diagram

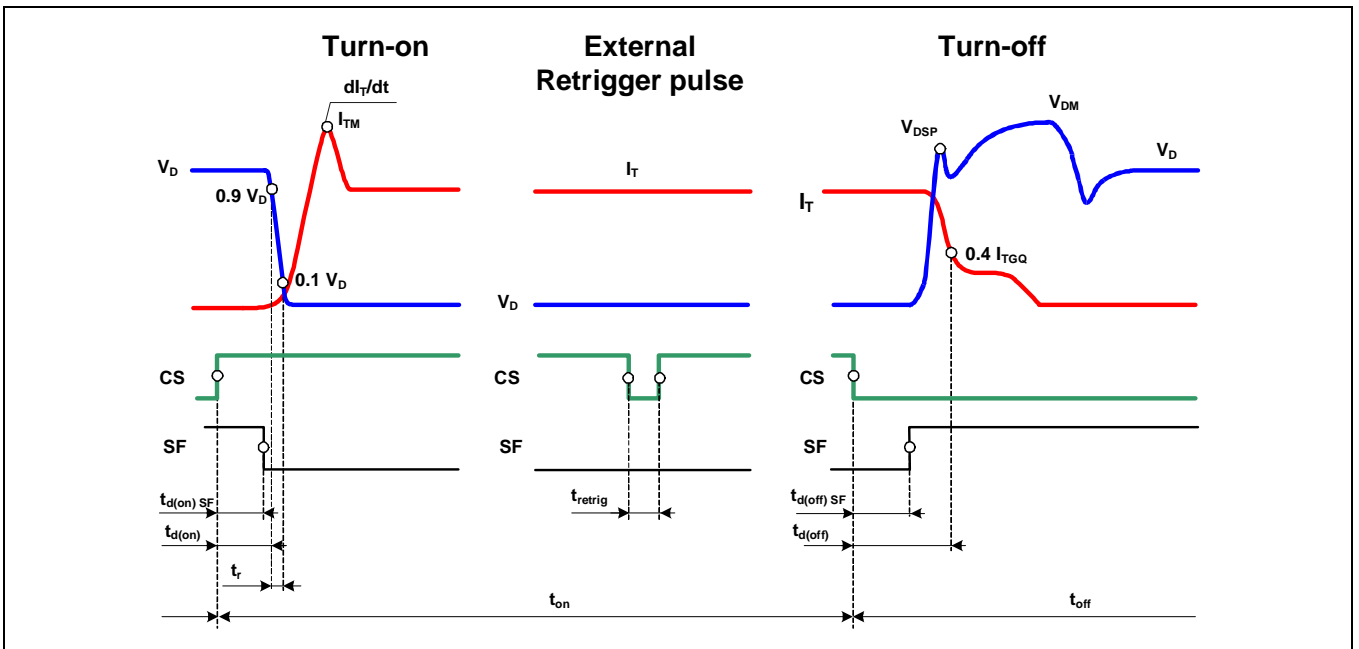


Fig. 14 General current and voltage waveforms with IGCT - specific symbols

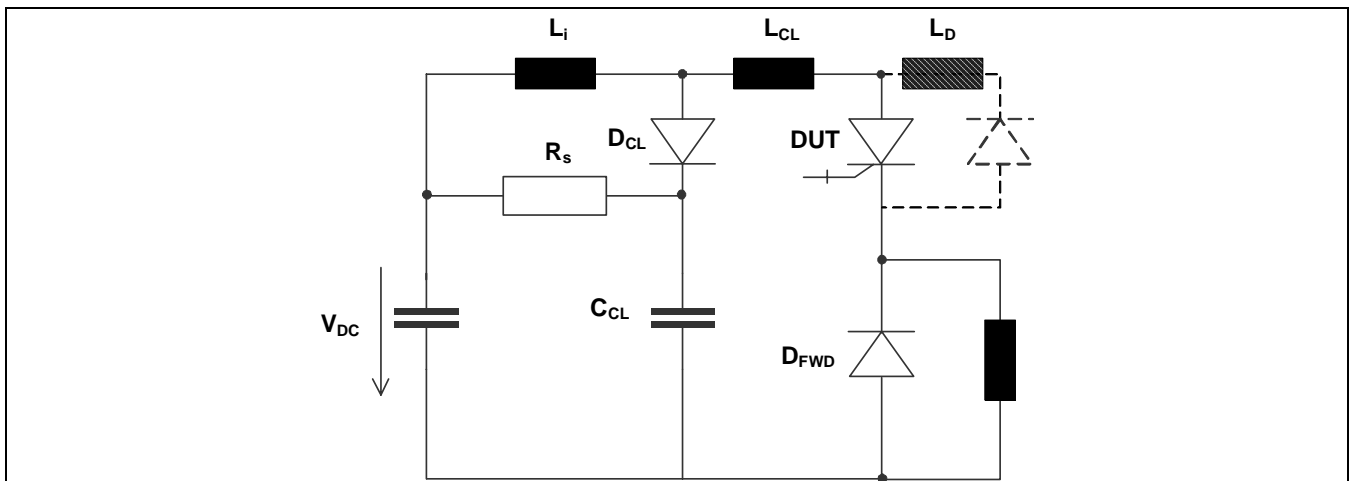


Fig. 15 Test circuit

Related documents:

5SYA 2031	Applying IGCT Gate Units
5SYA 2032	Applying IGCTs
5SYA 2036	Recommendations regarding mechanical clamping of Press Pack High Power Semiconductors
5SYA 2046	Failure rates of IGCTs due to cosmic rays
5SYA 2048	Field measurements on High Power Press Pack Semiconductors
5SYA 2051	Voltage ratings of high power semiconductors
5SZK 9118	General Environmental Conditions for High Power Semiconductors

Please refer to <https://www.hitachiabb-powergrids.com/at/de/offering/product-and-system/semiconductors> for current version of documents.

ABB Power Grids Switzerland Ltd, Semiconductors reserves the right to change specifications without notice.

**ABB Power Grids Switzerland Ltd
Semiconductors**

A Hitachi ABB Joint Venture
Fabrikstrasse 3
CH-5600 Lenzburg, Switzerland

Telephone +41 (0)58 586 1419
Fax +41 (0)58 586 1306
Email abbsem@hitachi-powergrids.com
Internet www.hitachiabb-powergrids.com/semiconductors