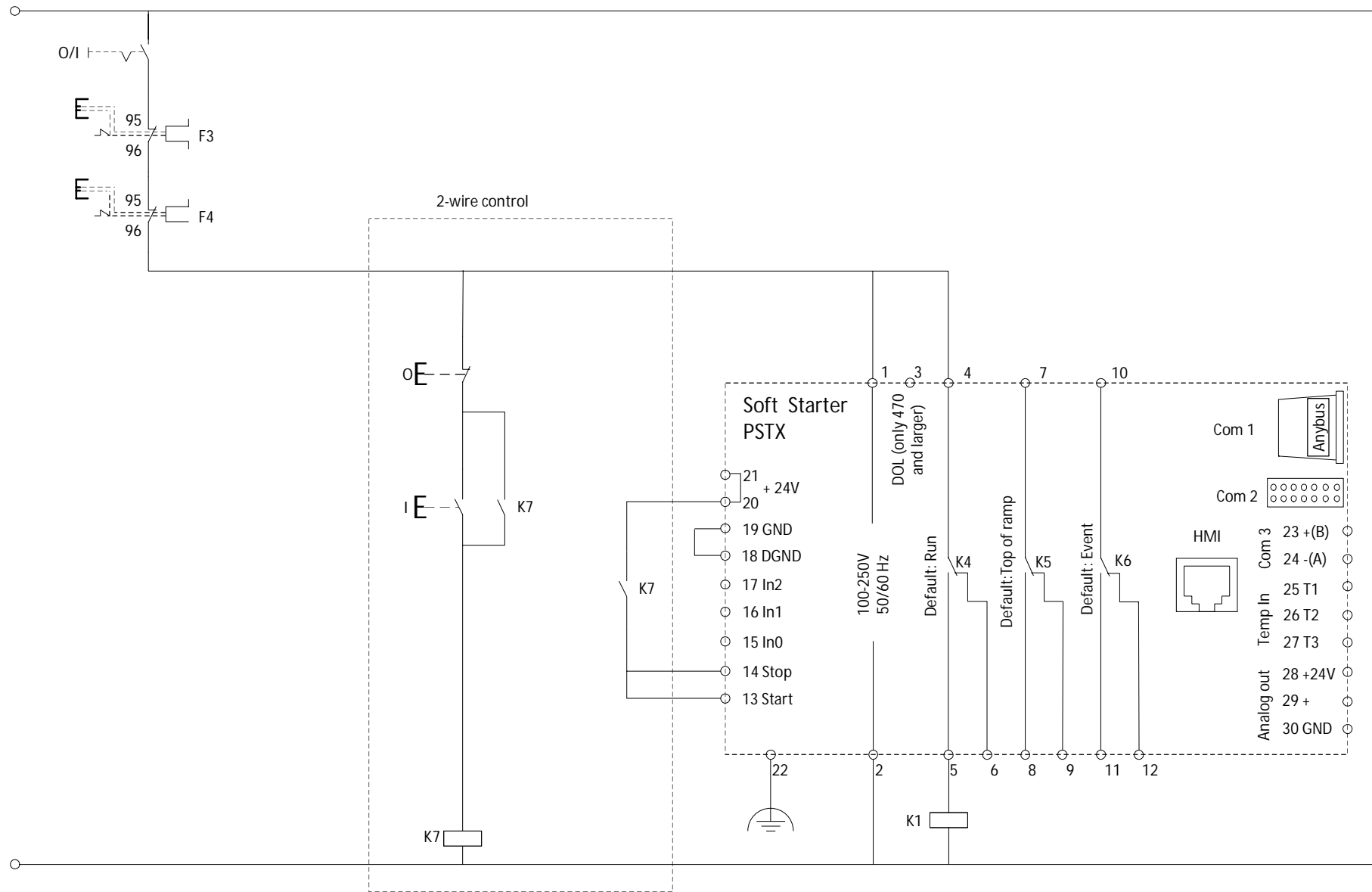


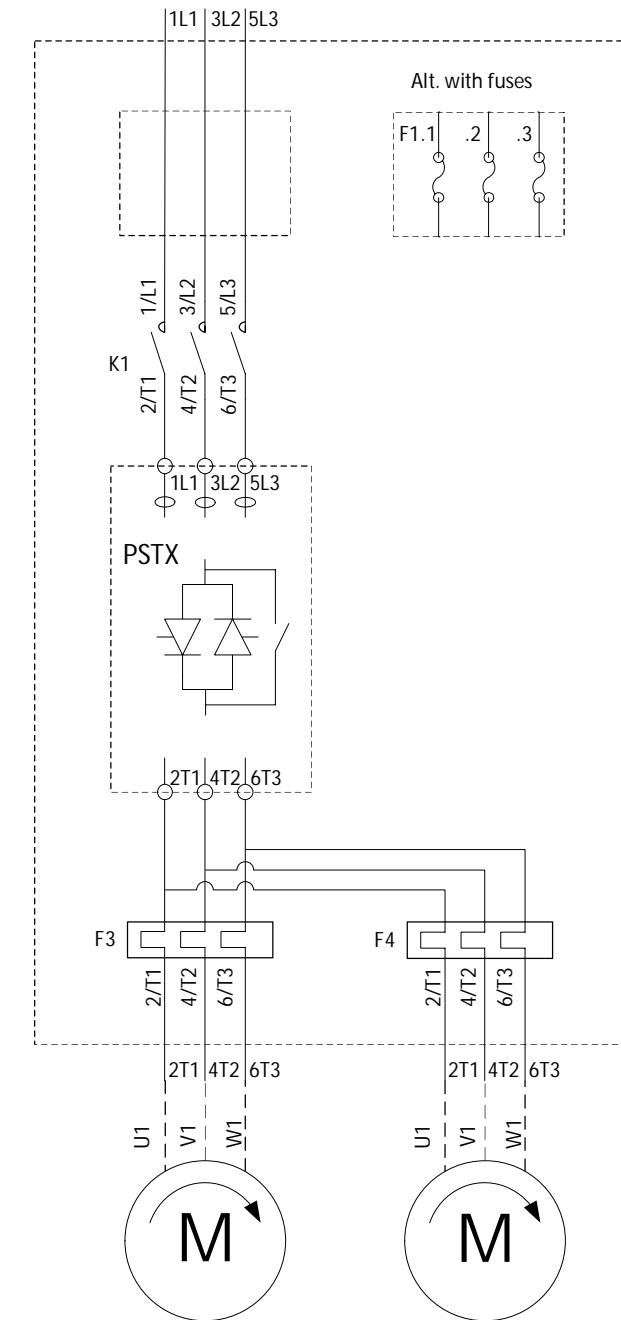
| Rev | Pos | Description | Date | Sign. |
|-----|-----|-------------|------|-------|
| | | | | |

In Line with main contactor for start of 2 motors in parallel
Internal E.O.L shall be deactivated



Coil consumption for main contactors.
Pull-in max 15A
Holding max 1.5A

If the pull-in or holding values are higher, the main contactors must be controlled via an auxiliary contactor.



We reserve all rights in this document and in the information contained therein. Reproduction, use or disclosure to third parties without express authority is strictly forbidden. Copyright ABB.

Proprietary and secret information

Proprietary and secret information

| | | | | |
|-------------------------------|-------------------------|-----------------------|--|-----------------|
| Created By Björn Johansson | State Approved | Responsible dep RE | Title Application diagram PSTX dual motor start | Lang EN |
| Approved By David Wikström | Approved Date 161019 | Revision B | Document Number 1SFB536005G5007 | Size A3 |
| ABB AB, Control Products | | | | Sheet 1 of 1 |