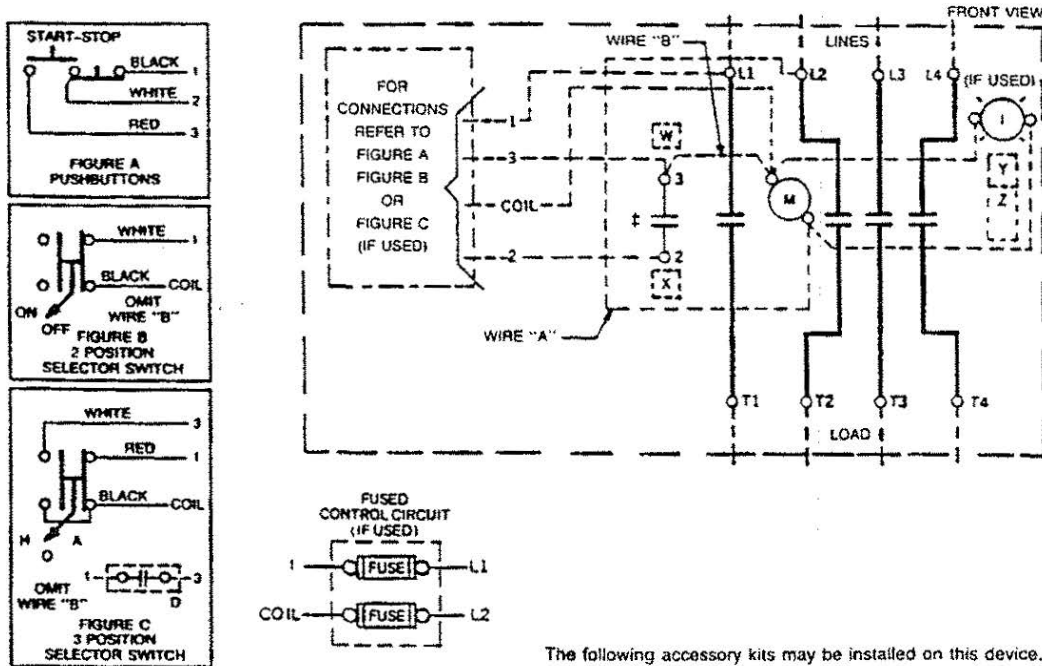


GEJ-6575 Information Label

CR360L Lighting Contactor

30 Ampere



M—LINE CONTACTOR
 I—INDICATING LIGHT
 D—MAINTAINING CONTACT PILOT DEVICE
 Use 75°C, copper conductors only, for field wiring. Torque line and load terminals to 20 lb-in.
 FOR SEPARATE CONTROL—Omit wire "A" and connect control source to coil and to 1 on control device.
 NOTE: Refer to the National Electrical Code. Additional control circuit overcurrent protection may be required.
 3-PHASE RATINGS APPLY TO 2-PHASE FORMS.
 COIL (Order 15D21G plus coil suffix number per table below)

60 Hz	115-120V	200-208V	230-240V	—	460-480V	575-600V
50 Hz	110V	—	220V	380V	440V	550V
Coil Suffix	002	023	003	064	004	005

The following accessory kits may be installed on this device.

- | | |
|----------------------|------------------------|
| START-STOP PB | CR305X120N |
| OFF-ON PB | CR305X120P |
| OFF-ON Sel Sw | CR305X130P |
| H-O-A Sel Sw | CR305X130N |
| IND LIGHT | CR305X150N |
| AUX CONTACT | CR305X100A, B, C, D, E |
| CONTROL CIRCUIT FUSE | CR305X141A, B, C, D |
| For CSA-GND KIT | |
| ½-IN CONDUIT | 55-213403G001 |
| ¼-IN CONDUIT | 55-213403G002 |

Final Suffix Letter Of CR Number	Contact Location. See Diagram			
	W	X	†Y	†Z
A (Or None)				
B	—†			
C		—†		
D	—†	—†		
E	—†			—†
F	—†	—†		
G	—†	—†		—†
H	—†	—†		—†
J	—†		—†	—†
†Z	No Holding Interlock			

† Not available when Control Circuit Fuse Kit is used.

PRINCIPAL RENEWAL PARTS
4 Movable & 8 Sta Cont.....546A301G002

