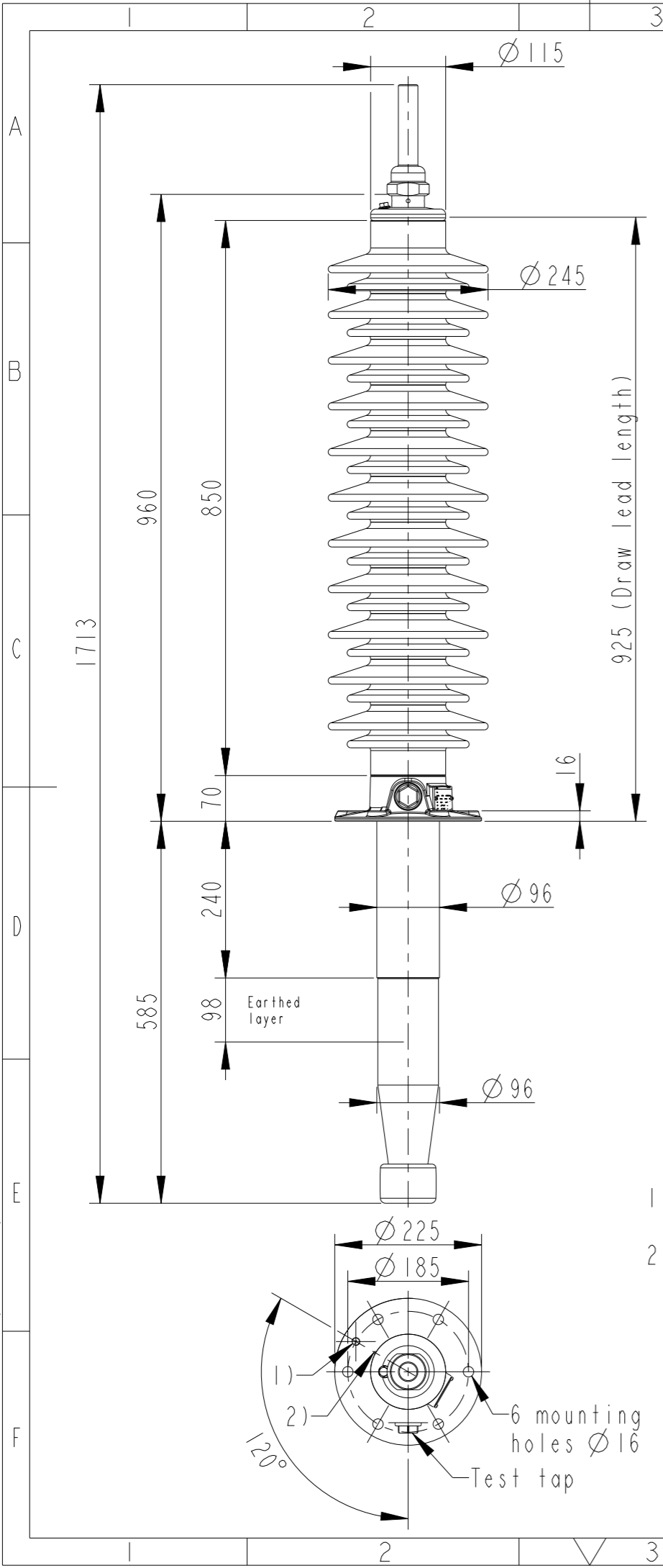
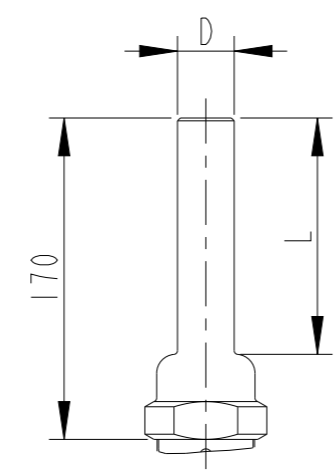


This document is issued by means of a computerized system. The digitally stored original is electronically approved. The approved document has a date entered in the "Approved"-field. A manual signature is not required.

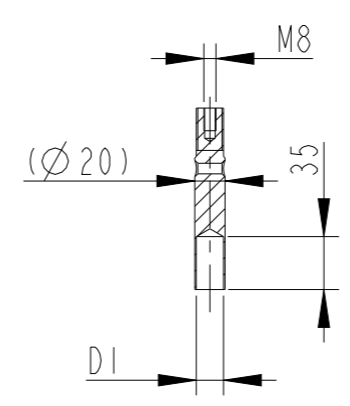
We reserve all rights in this document and in the information contained therein. Reproduction, use or disclosure to third parties without express authority is strictly forbidden.



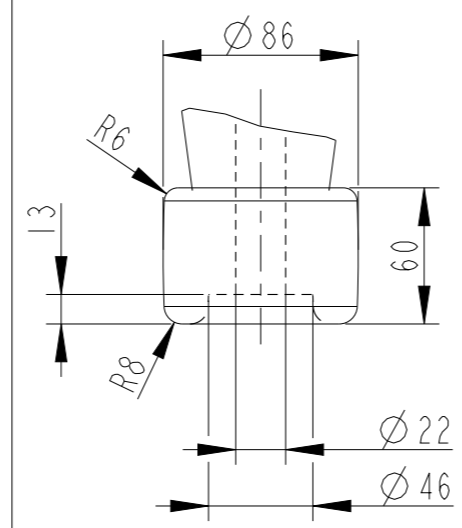
**OUTER TERMINAL**



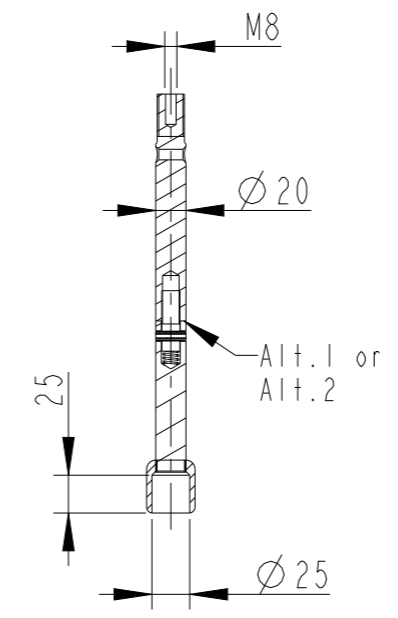
**INNER TERMINAL FOR STRANDED CABLE**



**END SHIELD**



**SOLID ROD CONNECTOR**



The solid rod can be divided either:  
 Alt.1: 20mm below the bushing flange or  
 Alt.2: 20mm below the upper end of the bottom porcelain

- 1) M12 (For Earthing)
- 2) Ø4 Oil connection hole (only valid for horizontal mounting)

Revision	Revision text
D	Phase to Ground Voltage changed from 90 to 71kV

**Bushing Data:**

Rated Voltage	123	kV
Phase to Ground Voltage	$\Delta$ 71	kV
Dry Lightning Impulse 1,2/50µs	450	kV
Wet power frequency AC	185	kV
Routine test 1min dry 50Hz	195	kV
Rated Current	800	A
Creepage Distance	2720±80	mm
Creepage Distance Protected	1060	mm
Mass	52	kg

**Ordering Data:**

<b>BUSHING</b>	COLOUR AIR INSULATOR
LF123051-K	BROWN
LF123051-L	LIGHT GREY
LF123051-HK	BROWN Horizontal 45°-90°
LF123051-HL	LIGHT GREY Horizontal 45°-90°
<b>OUTER TERMINAL</b>	Material D L
LF 170 002-A	Cu alloy, Ø30, 125
LF 170 001-A	Al, Ø30, 125
OTHER TYPES ON REQUEST	
<b>INNER TERMINAL FOR STRANDED CABLE</b>	
<b>For brazing</b>	Conductor area D1
LF 170 011-S	up to 150mm <sup>2</sup> Ø18
LF 170 011-U	Undrilled with pilot hole Ø5
<b>For crimping or brazing</b>	Conductor area D1
LF 170 010-M	50mm <sup>2</sup> Ø11
LF 170 010-N	70mm <sup>2</sup> Ø13
LF 170 010-L	95mm <sup>2</sup> Ø15
<b>SOLID ROD CONNECTOR</b>	Material
LF 170 019 -BM for Alt.1	Cu
LF 170 019 -BN for Alt.2	Cu

<b>ABB</b>		Ludvika, Sweden	
No.	Um	kV Ir	A 50/60 Hz
○	BIL	kV SIL	kV AC
M	kg L	mm	∇ °
C1	pF	Tan δ	x
C2	pF	Tan δ	x

Created by Jacob Stefansson	Reviewed by Joakim Persson	Approved by Natalia Gutman
Approved 2019-11-06	Document Kind Outline Drawing	Based on doc.id Work order id Project id
Company ABB Technology Ltd	Title, Supplementary title GOB 450-800-0.3 WITHOUT OIL LEVEL GAUGE STD END SHIELD	
Responsible Department SEABB-9AAE300824	Document id 2751369-141	Status Released
<b>ABB</b>		Revision D
		Iteration 1/1
		Sheet 1/1