

---

## **System pro E control SR Basic**

Low voltage small and medium-sized enclosures for automation and distribution





—  
**SR Basic is the latest range of multipurpose enclosures suitable for industrial and commercial applications, with high degree of protection in accordance with standard.**

---

# Table of contents

<b>04-04</b>	<b>Introduction</b>
<b>05-05</b>	<b>General characteristics</b>
<b>05-05</b>	<b>Technical details</b>
<b>06-06</b>	<b>System description</b>
<b>07-09</b>	<b>Ordering details</b>
<b>10-12</b>	<b>Dimensions details</b>

---

# Introduction

The SR Basic enclosures can be also installed in secondary distribution switchboards thanks to the possibility of installing the whole range of apparatus and modular circuit-breakers on DIN rails, thereby allowing construction of electrical switchgears, in widths from 200 to 800 mm, heights from 300 to 1600 mm, and depths from 150 to 400 mm.

A single line of metalwork structures therefore allows construction of automation, secondary and end distribution electrical switchboards thanks to the mounting plate and the optional stacking of enclosures.

SR Basic extensive range of enclosures is perfect for meeting all the current requirements of electrical installations, in residential, tertiary and industrial sectors. With their high specification, the System pro E SR Basic enclosures are the perfect fit for the demanding requirements of railways and infrastructure.

In electrical installations such as banks, hospitals and airports where service continuity is critical, an enclosure system allows the switchgear to connect and disconnect voltages in a totally safe manner, which is required.



# General characteristics

## Construction characteristics

The construction characteristics of the series guarantee practical installation and versatility, as well as highly technical features, such as the IP65 degree of protection. The apparatus can be installed on a blind back plate.

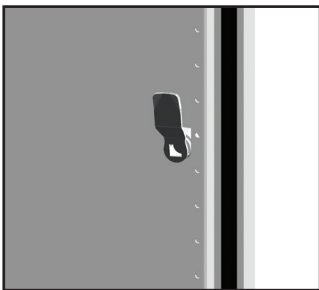
## Range

The range is divided into 43 different dimensions: from H=300mm to 1800mm, W=200mm to 1200mm and D=150mm to 400mm.

The enclosures can be installed either on the wall, or on the floor.

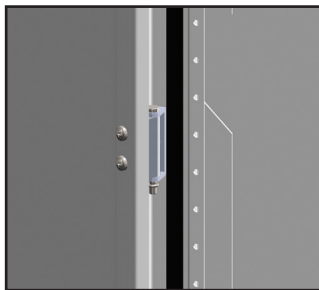
### Locking system

Different closing systems can be installed as per site requirement



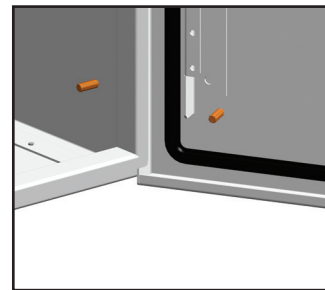
### Hinge system

Hinges are made of aluminum material in order to resist corrosion



### Provision for door earthing

Door earthing is assured by two earth studs fixed on the top and bottom corners of the door



# Technical details

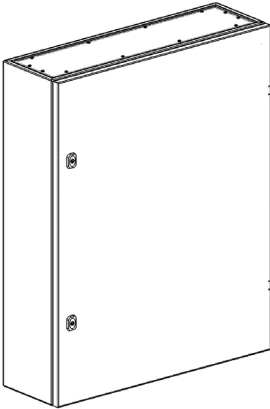
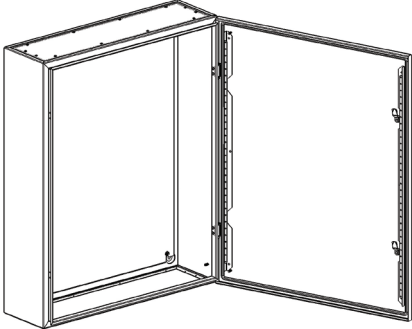
<b>Conformity with standard</b>	IEC 62208
<b>Degree of protection</b>	IP 65 (IEC 60529) for single door IP 54 (IEC 60529) for double door
<b>Degree of mechanical strength</b>	IK 10 (IEC 62262)
<b>Fixing method</b>	Floor standing / wall mounting
<b>Color</b>	RAL 7035
<b>Type of material</b>	15/10 Sheet Steel for enclosure 15/10 Galvanized mounting plate





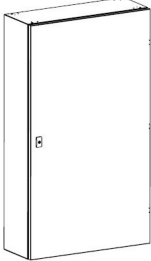
# Ordering details

## Empty enclosure with single plain door with mounting plate and with top and bottom gland plates

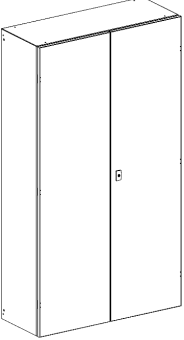
	Dimensions			Ordering details	
	Height H	Width W	Depth D	Type code	Ordering code
	300	200	150	SRB0302015	1SKE302015C0001
	300	300	150	SRB0303015	1SKE303015C0001
	400	300	150	SRB0403015	1SKE403015C0001
	400	300	200	SRB0403020	1SKE403020C0001
	500	400	150	SRB0504015	1SKE504015C0001
	500	400	200	SRB0504020	1SKE504020C0001
	600	400	150	SRB0604015	1SKE604015C0001
	600	400	200	SRB0604020	1SKE604020C0001
	600	400	250	SRB0604025	1SKE604025C0001
	600	600	250	SRB0606025	1SKE606025C0001
	700	500	200	SRB0705020	1SKE705020C0001
	700	500	250	SRB0705025	1SKE705025C0001
	800	600	200	SRB0806020	1SKE806020C0001
	800	600	250	SRB0806025	1SKE806025C0001
	800	600	300	SRB0806030	1SKE806030C0001
	800	800	300	SRB0808030	1SKE808030C0001
	1000	600	200	SRB1006020	1SKE106020C0001
	1000	600	250	SRB1006025	1SKE106025C0001
	1000	600	300	SRB1006030	1SKE106030C0001
	1000	800	200	SRB1008020	1SKE108020C0001
	1000	800	250	SRB1008025	1SKE108025C0001
	1000	800	300	SRB1008030	1SKE108030C0001

# Ordering details

## Empty enclosure with single plain door with depth adjustable mounting plate and with bottom gland plate

	Dimensions			Ordering details	
	Height H	Width W	Depth D	Type code	Ordering code
	1200	600	250	SRB1206025	1SKE126025C0001
	1200	600	300	SRB1206030	1SKE126030C0001
	1200	800	250	SRB1208025	1SKE128025C0001
	1200	800	300	SRB1208030	1SKE128030C0001
	1400	800	300	SRB1408030	1SKE148030C0001
	1400	800	400	SRB1408040	1SKE148040C0001
	1600	800	300	SRB1608030	1SKE168030C0001
	1600	800	400	SRB1608040	1SKE168040C0001
	1800	800	300	SRB1808030	1SKE188030C0001
	1800	800	400	SRB1808040	1SKE188040C0001

## Empty enclosure with double plain door with depth adjustable mounting plate and with bottom gland plate

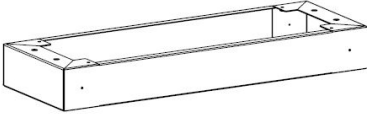
	Dimensions			Ordering details	
	Height H	Width W	Depth D	Type code	Ordering code
	1000	1000	300	SRB10010030	1SKE101030C0001
	1200	1000	300	SRB12010030	1SKE121030C0001
	1200	1000	400	SRB12010040	1SKE121040C0001
	1400	1000	300	SRB14010030	1SKE141030C0001
	1400	1000	400	SRB14010040	1SKE141040C0001
	1600	1000	300	SRB16010030	1SKE161030C0001
	1600	1000	400	SRB16010040	1SKE161040C0001
	1800	1000	300	SRB18010030	1SKE181030C0001
	1800	1000	400	SRB18010040	1SKE181040C0001
	1800	1200	300	SRB18012030	1SKE181230C0001
	1800	1200	400	SRB18012040	1SKE181240C0001

H=1400mm and above are equipped with 3 points locking system

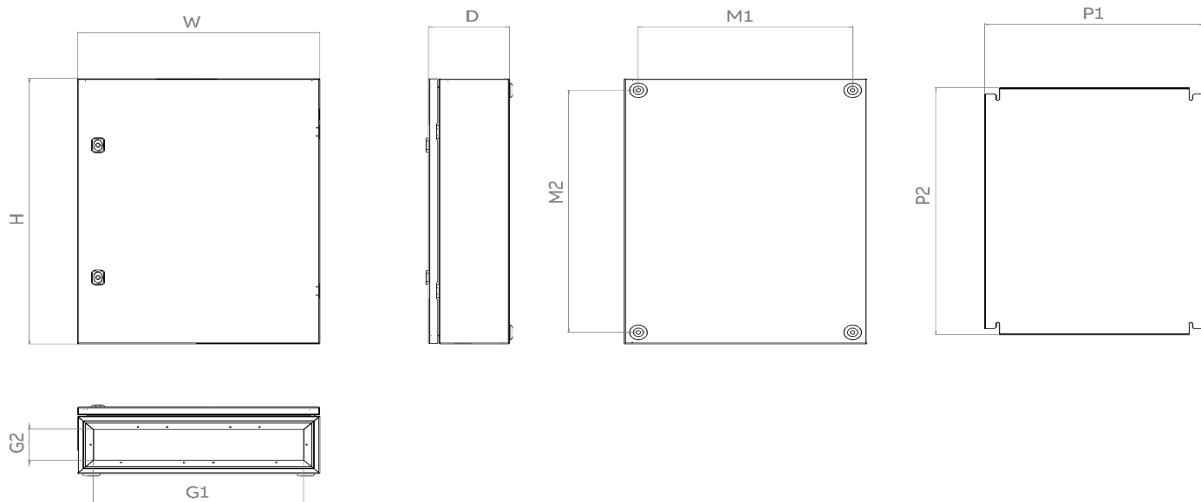


# Ordering details

## Bottom plinth

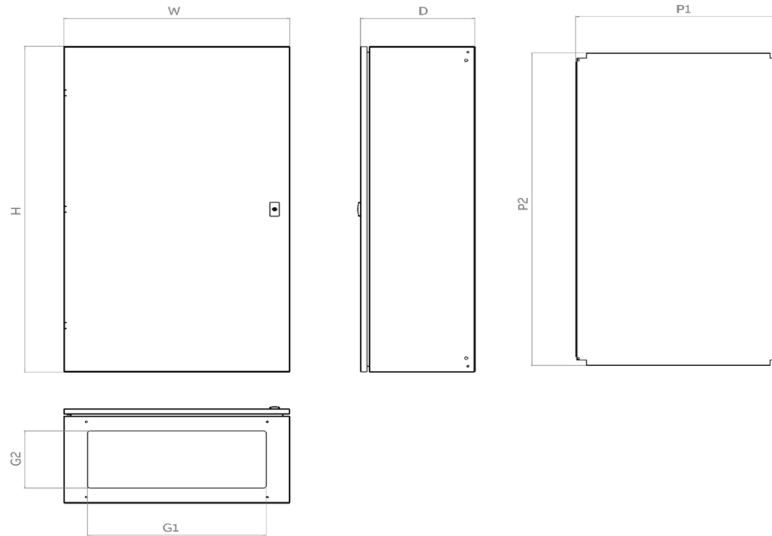
	Dimensions			Ordering details	
	Height H	Width W	Depth D	Type code	Ordering code
	100	800	300	SRBP1008030	1SKE908030C0001
	100	800	400	SRBP1008040	1SKE908040C0001
	100	1000	300	SRBP1010030	1SKE910030C0001
	100	1000	400	SRBP1010040	1SKE910040C0001
	100	1200	300	SRBP1012030	1SKE912030C0001
	100	1200	400	SRBP1012040	1SKE912040C0001

# Dimensions Details



Type Code	Dimensions									
	Height H	Width W	Depth D	M1(mm)	M2(mm)	G1(mm)	G2(mm)	P1(mm)	P2(mm)	
SRB0302015	300	200	150	130	230	120	43	148	225	
SRB0303015		300	150	230	230	220	43	245	225	
SRB0403015	400	300	150	230	330	220	43	248	325	
SRB0403020			200	230	330	220	93	248	325	
SRB0504015	500	400	150	330	430	320	43	348	425	
SRB0504020			200	330	430	320	93	348	425	
SRB0604015	600	400	150	330	530	320	43	348	525	
SRB0604020			200	330	530	320	93	348	525	
SRB0604025			250	330	530	320	143	348	525	
SRB0606025	700	600	250	530	530	520	143	545	525	
SRB0705020			500	200	430	630	420	93	448	625
SRB0705025	250	430		630	420	143	448	625		
SRB0806020	800	600	200	530	730	520	93	548	725	
SRB0806025			250	530	730	520	143	548	725	
SRB0806030			300	530	730	520	193	548	725	
SRB0808030			800	300	730	730	720	193	745	725
SRB1006020	1000	600	200	530	930	520	93	548	925	
SRB1006025			250	530	930	520	143	548	925	
SRB1006030			300	530	930	520	193	548	925	
SRB1008020			800	200	530	930	720	93	745	925
SRB1008025				250	530	930	720	143	745	925
SRB1008030	300	530	930	720	193	745	925			

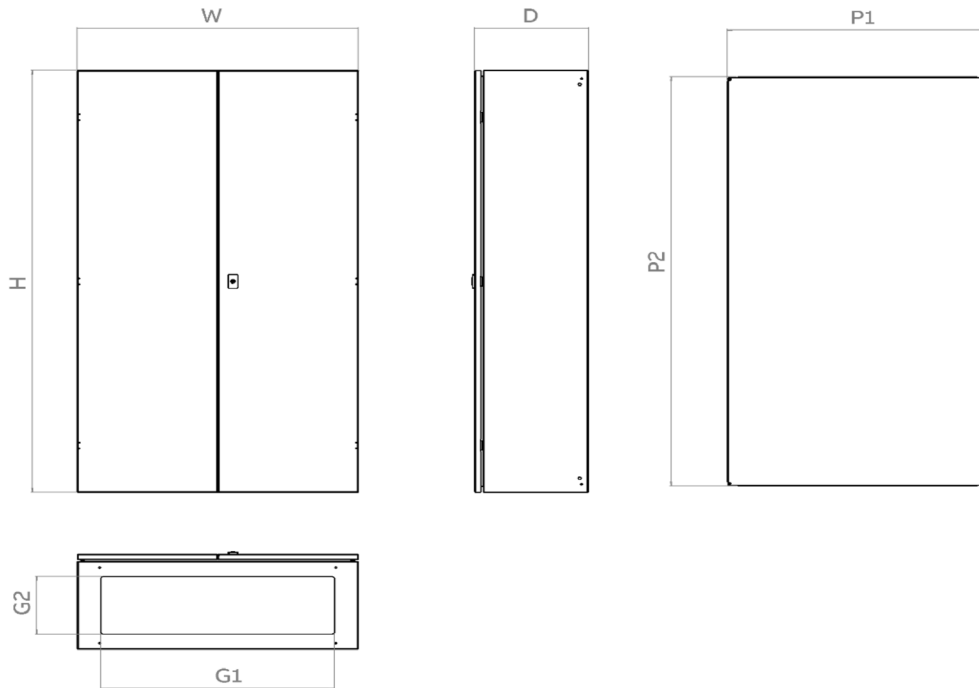
# Dimensions Details



Type Code	Dimensions						
	Height H (mm)	Width W (mm)	Depth D (mm)	G1 (mm)	G2 (mm)	P1 (mm)	P2 (mm)
SRB1206025	1200	600	250	432	96	538	1132
SRB1206030			300	432	146	538	1132
SRB1208025	1200	800	250	632	96	738	1132
SRB1208030			300	632	146	738	1132
SRB1408030	1400	800	300	632	146	738	1132
SRB1408040			400	632	246	738	1132
SRB1608030	1600	800	300	632	146	738	1132
SRB1608040			400	632	246	738	1132
SRB1808030	1800	800	300	632	146	738	1132
SRB1808040			400	632	246	738	1132



# Dimensions Details



Dimensions

Type Code	Height H (mm)	Width W (mm)	Depth D (mm)	G1 (mm)	G2 (mm)	P1 (mm)	P2 (mm)	
SRB10010030	1000	1000	300	832	146	938	932	
SRB12010030	1200	1000	300	832	146	938	1132	
SRB12010040			400					246
SRB14010030	1400	1000	300	832	146	938	1332	
SRB14010040			400					246
SRB16010030	1600	1000	300	832	146	938	1532	
SRB16010040			400					246
SRB18010030	1800	1000	300	832	146	938	1732	
SRB18010040			400					246
SRB18012030		1200	1000	300	1032	146	1138	1732
SRB18012040				400				

A series of horizontal dotted lines for writing notes.

**Additional information**

We reserve the right to make technical changes or modify the contents of this document without prior notice. With regard to purchase orders, the agreed particulars shall prevail. ABB AG does not accept any responsibility whatsoever for potential errors or possible lack of information in this document.

We reserve all rights in this document and in the subject matter and illustrations contained therein. Any reproduction, disclosure to third parties or utilization of its contents – in whole or in parts – is forbidden without prior written consent of ABB AG.





—  
**ABB Electrical Industries (ABB Arab) S.A.E.**

P.O. Box  
11771 Cairo  
Egypt

**[abb.com/](http://abb.com/) System pro E control SR Basic**

