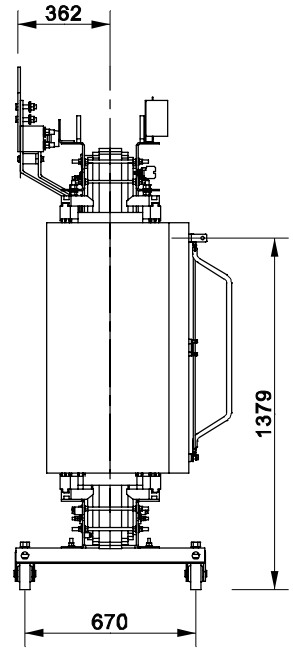
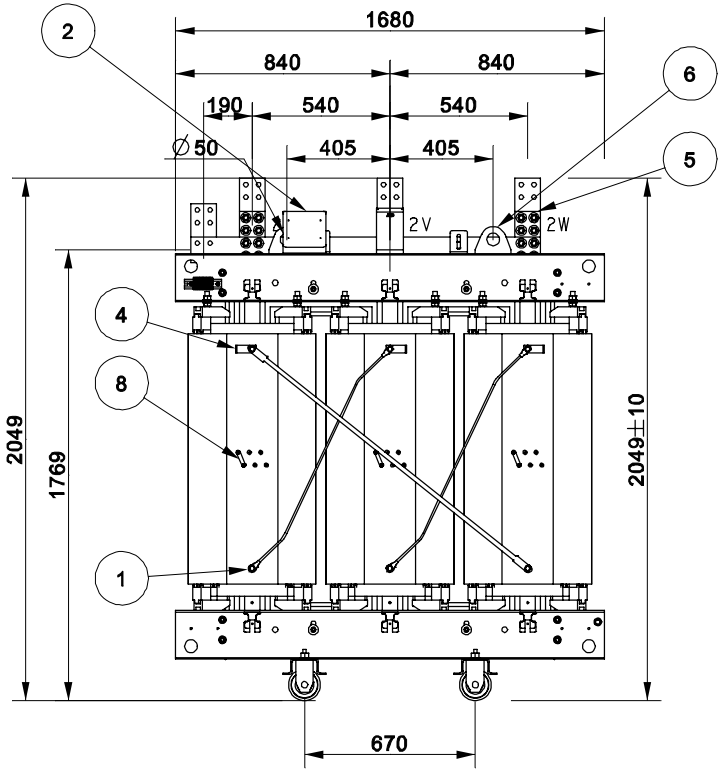


The information contained in this document is to be kept strictly confidential. Any unauthorized use, reproduction, distribution or disclosure is strictly forbidden. © Copyright 2013 ABB. All rights reserved.

4SmK\_24\_1000BkCo\_5

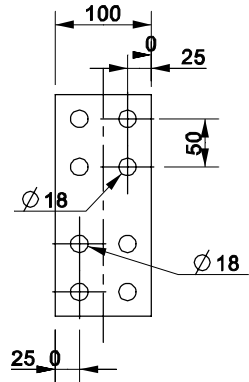
1 2 3 4 5 6 7 8

A  
B  
C  
D  
E  
F



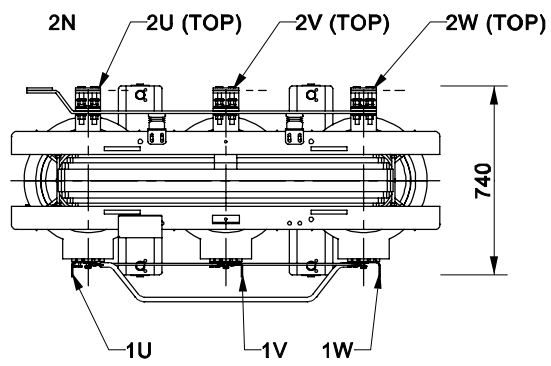
DESCRIPTION	
1	- CONNECTION BETWEEN PHASES
2	- CONTROL BOX
3	- EARTHING TERMINAL
4	- H.V. TERMINAL
5	- L.V. TERMINAL
6	- LIFTING LUGS
7	- RATING PLATE
8	- TAP CHANGER BY LINKS
9	- WHEELS Ø125x40

LV TERMINAL 2N-2U-2V-2W

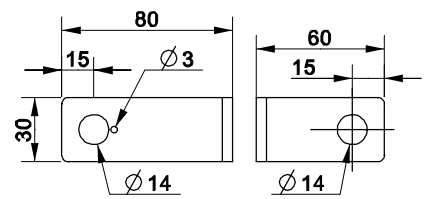


WEIGHT	
TRANSFORMER	2478 kg
ACCESORIES	35 kg
TOTAL WEIGHT	2513 kg

MATERIAL: : COPPER  
THICKNESS: : 10.0 mm



MATERIAL: : COPPER  
THICKNESS: : 5.0 mm



TOLERANCES ACCORDING TO ISO 2768V

Prepared V.SANZ 25/06/2013		Responsible Department -	Classification	
Approved P.ESTELLA 25/06/2013		Takeover Department -	Title CROQUIS POWER (kVA):1000 , kV Class:24	
Rev. -	Scale 0.048	Mass 2513.1 kg	Based On FA000143	Cont. 2
ABB Distribution Transformers			Document No. 1LES251816-CR	Sheet 1

Zone	Rev.	Description	Date	Approved

1 2 3 4 5 6 7 8