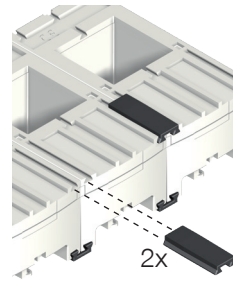
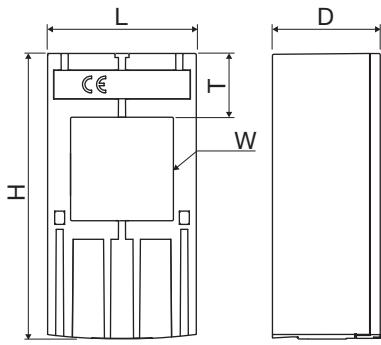
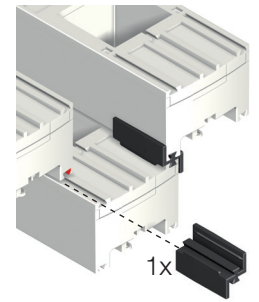


Dual dimension in/mm



RGLPM BCM
TE-25 / TE-35 / TE-45



RGLPM BCM
TE-35 / TE-45

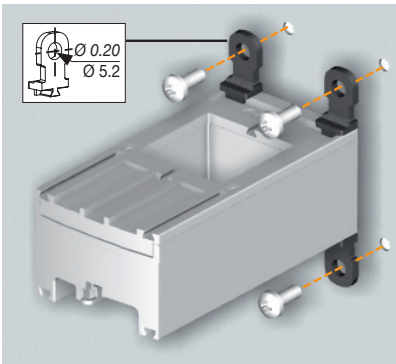
	LxHxD	ØW	T	Pitch	I nom.	I max.
RGLPM BCM TE-25	0.98 x 2.56 x 1.28 25 x 65 x 32.5	0.53 x 0.53 13.5 x 13.5	0.69 17.5	25	40...160A	192A
RGLPM BCM TE-35	1.37 x 2.79 x 1.28 35 x 71 x 32.5	0.82 x 0.82 21 x 21	0.69 17.5	35	63...250A	300A
RGLPM BCM TE-45	1.77 x 3.38 x 1.28 45 x 86 x 32.5	1.22 x 1.22 31 x 31	0.77 19.5	45	60...630A	756A

Minimum 90°C wire required. Warning: To reduce risk of electric shock, always open or disconnect circuit from power-distribution system (or service) of building before installing or servicing current transformers.

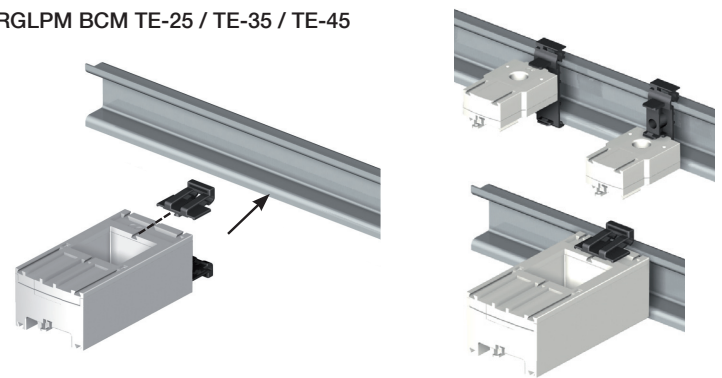
Warning!: To reduce risk of electric shock, always open or disconnect circuit from power-distribution system (or service) before opening Split Core current transformers. The current sensors may not be installed in a panel where they exceed 75% of the wiring space of any cross-sectional area within the panel. Restrict installation of current transformer in an area of breaker arc venting. Not suitable for Class 2 wiring methods and Not intended for connection to Class 2 equipment. Secure current transformer and route conductors so that the conductors do not directly contact live terminals or bus. Wiring of the current transformers shall be maintained within the same end-product enclosure. Sensors must be enclosed in an NRTL certified electrical/fire enclosure, listed Industrial Control Panel Equipment, or similar equipment.

Only RGLPM BCM TE-25, RGLPM BCM TE-35 and RGLPM BCM TE-45 current transformers are UL 61010-1, UL 61010-2-030, E257746 compliant. Intended use/location: indoor Measurement category: III.

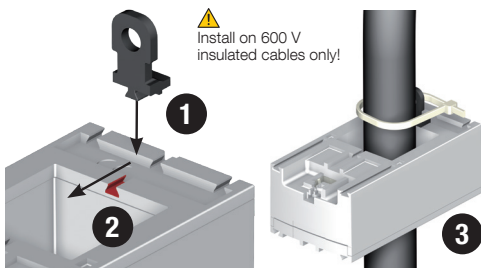
1A RGLPM BCM TE-25 / TE-35 / TE-45



1B RGLPM BCM TE-25 / TE-35 / TE-45



1C RGLPM BCM TE-25 / TE-35 / TE-45



1D RGLPM BCM
TE-25 / TE-35 / TE-45

