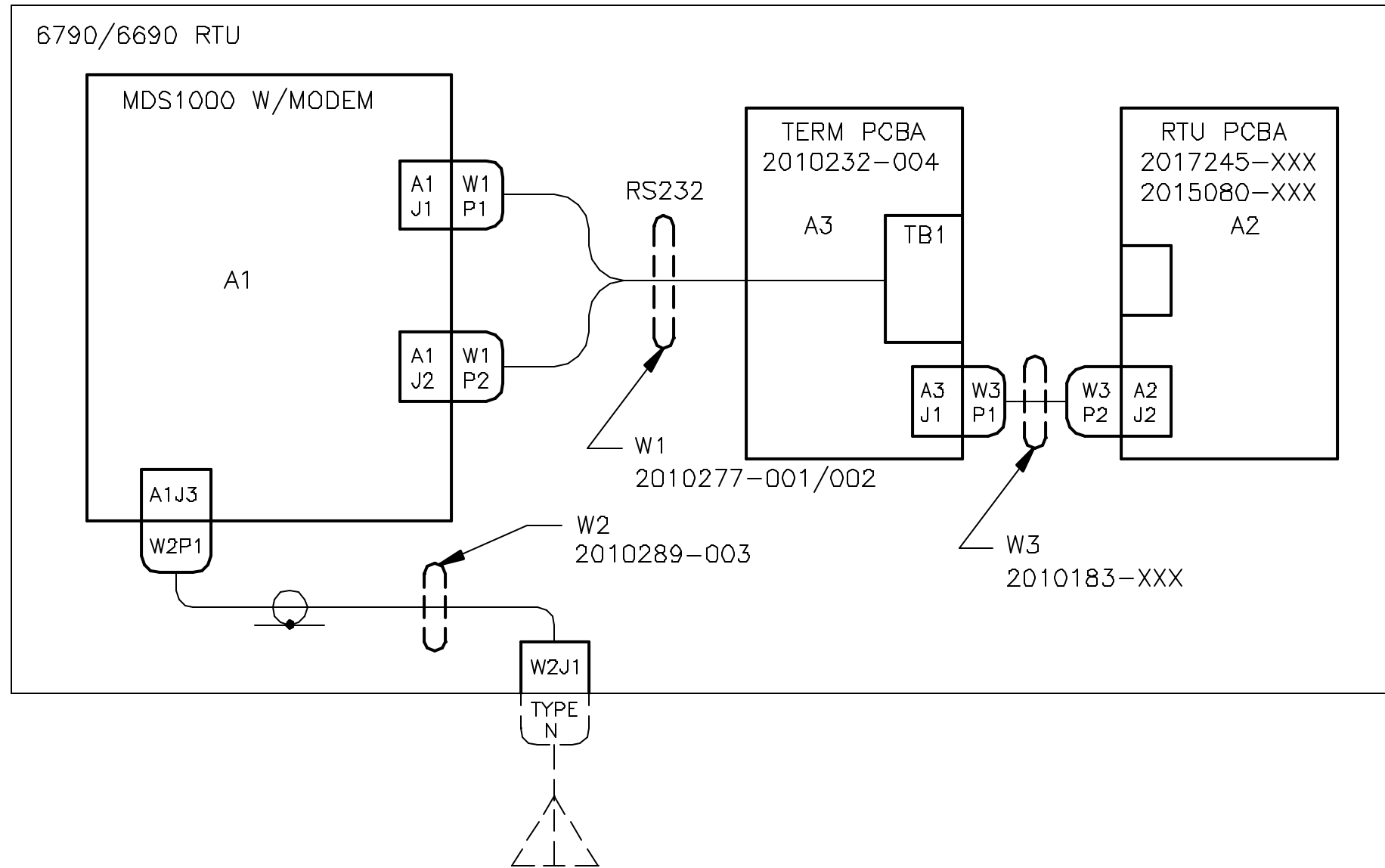


REVISIONS					
REV	ACTION	DRAWN	CHECKED	APPROVED	DATE
AA	L5158	KASTNER	KASTNER	HOLLAND	98/02/20
AB	D12486	KASTNER	KASTNER	HOLLAND	98/02/20



ASSEMBLY/QUANTITY	ITEM NO.	PART NUMBER	DESCRIPTION	REF/ZONE DESIG MATERIAL	UNIT MEAS
PARTS LIST					
DO NOT SCALE DRAWING		UNLESS OTHERWISE SPECIFIED DIMENSIONS ARE IN INCHES		<b>TOTALFLOW®</b> LEVEL 3 <b>ABB</b> <b>TOTALFLOW Products</b>	
THIRD ANGLE PROJECTION		TOLERANCES ARE:		TITLE	
		DECIMAL      ANGULAR .XX ±      ---      ± --- .XXX ±      ---      ---		<b>WIRING &amp; INTERCONNECT</b> <b>MDS1000 RADIO W/MODEM TO 6790/6690 RTU</b> <b>WI</b>	
BREAK ALL SHARP CORNERS AND EDGES		DIMENSIONS APPLY BEFORE FINISH		SCALE      SIZE      DOC TYPE      DRAWING NO.      REV      SHEET <b>NONE</b> <b>B</b> <b>WI</b> 2018188 <b>AB</b> <b>1 OF 2</b>	

MODEL 6681 AIU, 6690 RTU, 6790 AIU/RTU

AIU/RTU

RADIO MDS1000 W/MODEM  
 RADIO MDS1000U W/MODEM

