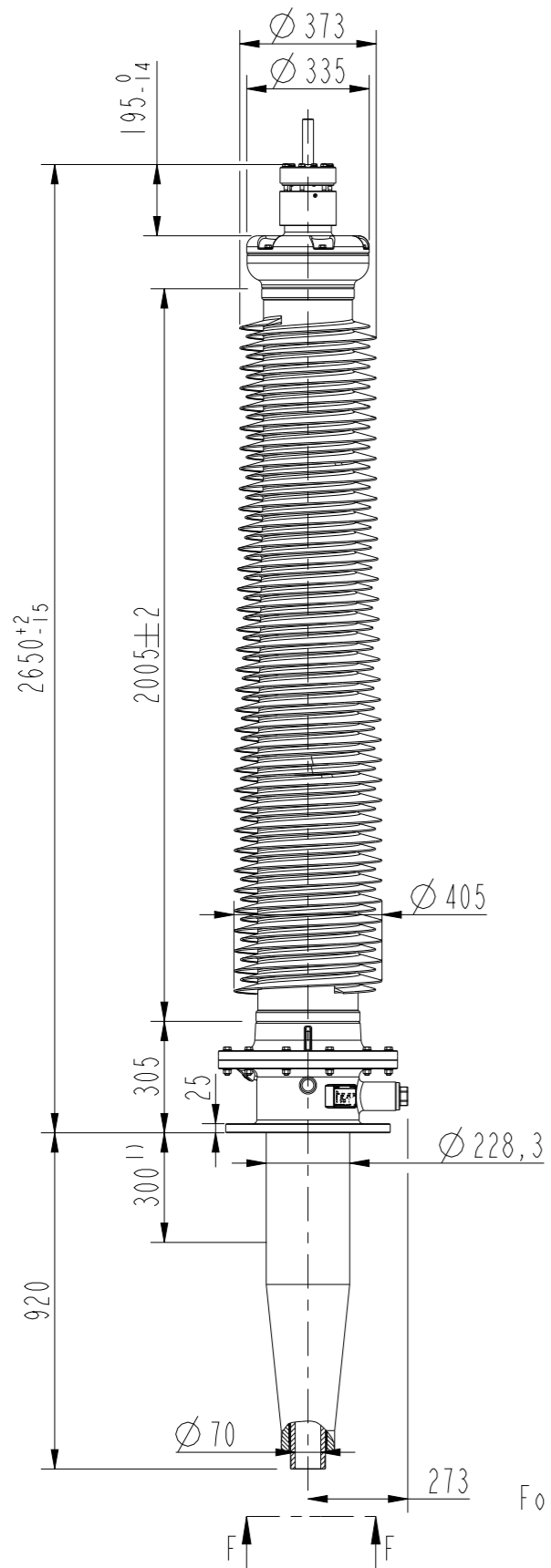


This document is issued by means of a computerized system. The digitally stored original is electronically approved. The approved document has a date entered in the 'Approved'-field. A manual signature is not required.

The information contained in this document has to be kept strictly confidential. Any unauthorized use, reproduction, distribution or disclosure to third parties are strictly forbidden. ABB reserves all rights regarding Intellectual Property Rights. © Copyright 2013 ABB. All rights reserved.



**Bushing Data:**

|                                |      |    |
|--------------------------------|------|----|
| Rated Voltage                  | 245  | kV |
| Phase-to-earth Voltage         | 146  | kV |
| Dry Lightning Impulse 1,2/50µs | 1050 | kV |
| Dry Switching Impulse          | 850  | kV |
| Wet Power Frequency AC         | 460  | kV |
| Routine test Imin dry 50Hz     | 506  | kV |
| Rated Current                  | 2000 | A  |
| Creepage Distance, nominal     | 8705 | mm |
| Creepage Distance, minimum     | 8355 | mm |
| Mass, Bushing                  | 260  | kg |

**Ordering Data:**

| BUSHING                         | AIR INSULATOR COLOUR/TYPE |
|---------------------------------|---------------------------|
| IZSC901245 -CAA Test tap        | Composite                 |
| IZSC901245 -CBA Voltage tap 6kV | Composite                 |

| OUTER TERMINAL | MATERIAL | D2 (mm) |
|----------------|----------|---------|
| IZSC999001-AAA | Al       | 30      |
| IZSC999001-AAB | Al       | 60      |
| IZSC999001-AAC | Cu       | 30      |
| IZSC999001-AAD | Cu       | 40      |

| DRAW ROD SYSTEM |                |
|-----------------|----------------|
| IZSC999006      | Lower draw rod |
| IZSC999007      | Upper draw rod |

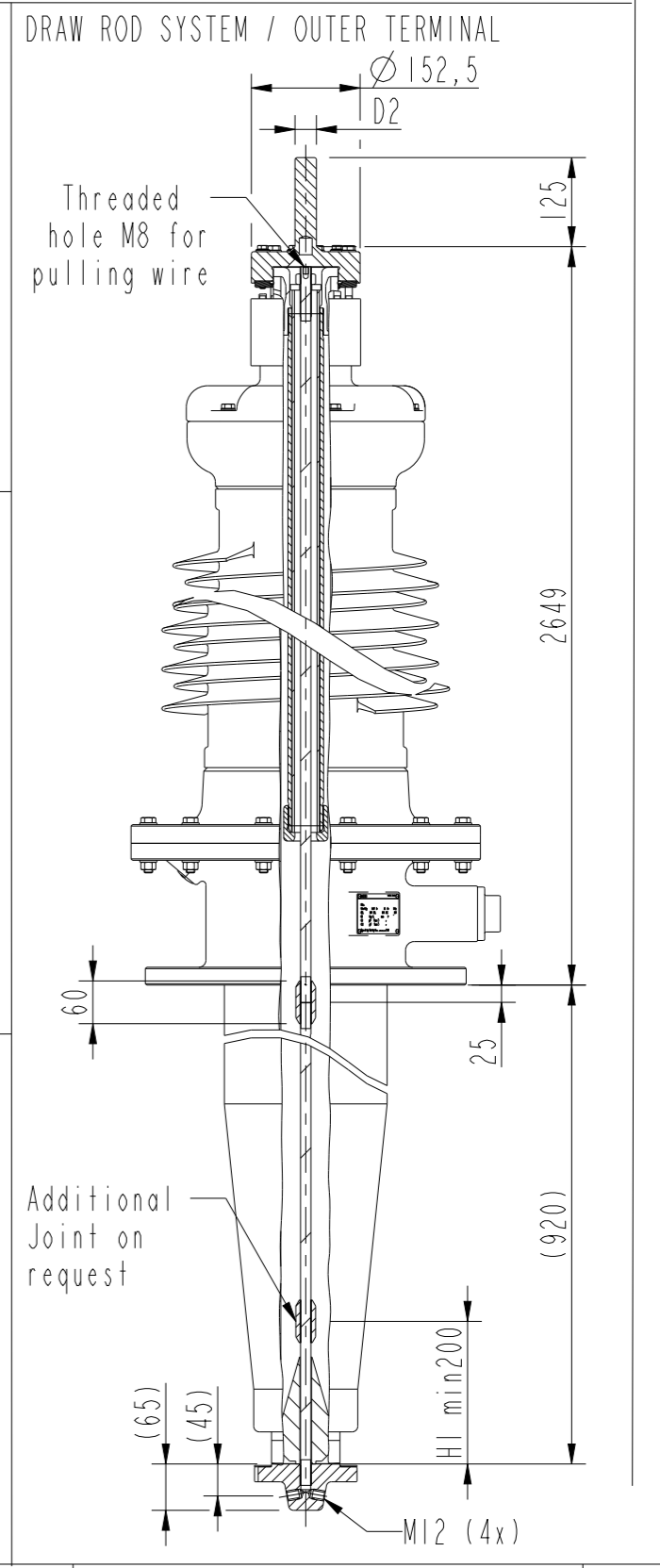
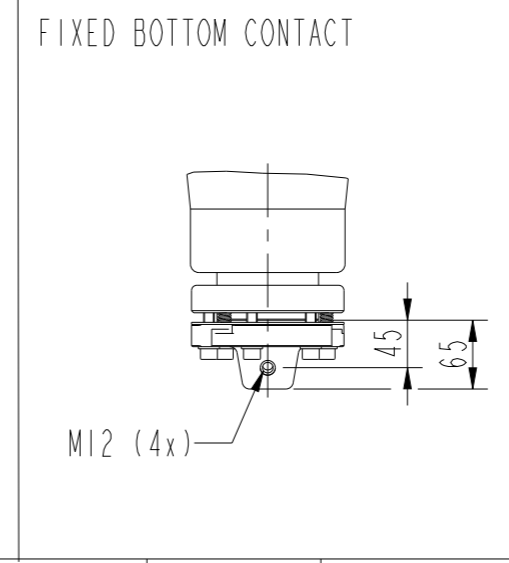
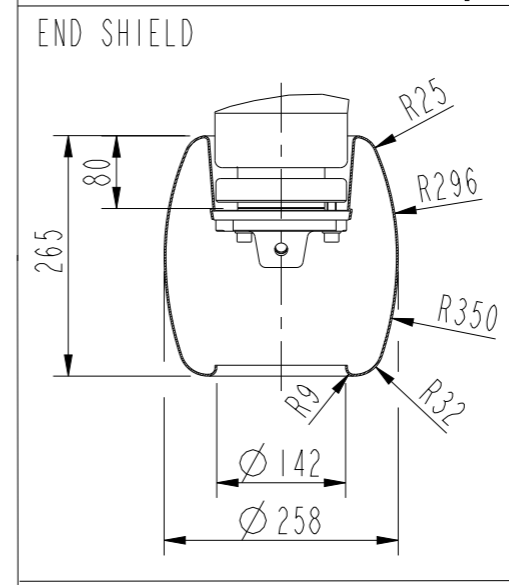
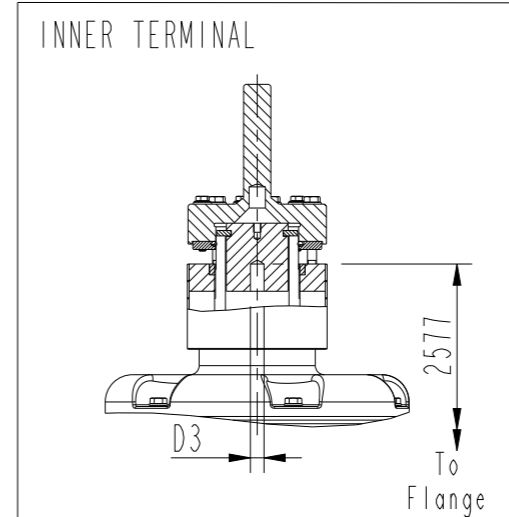
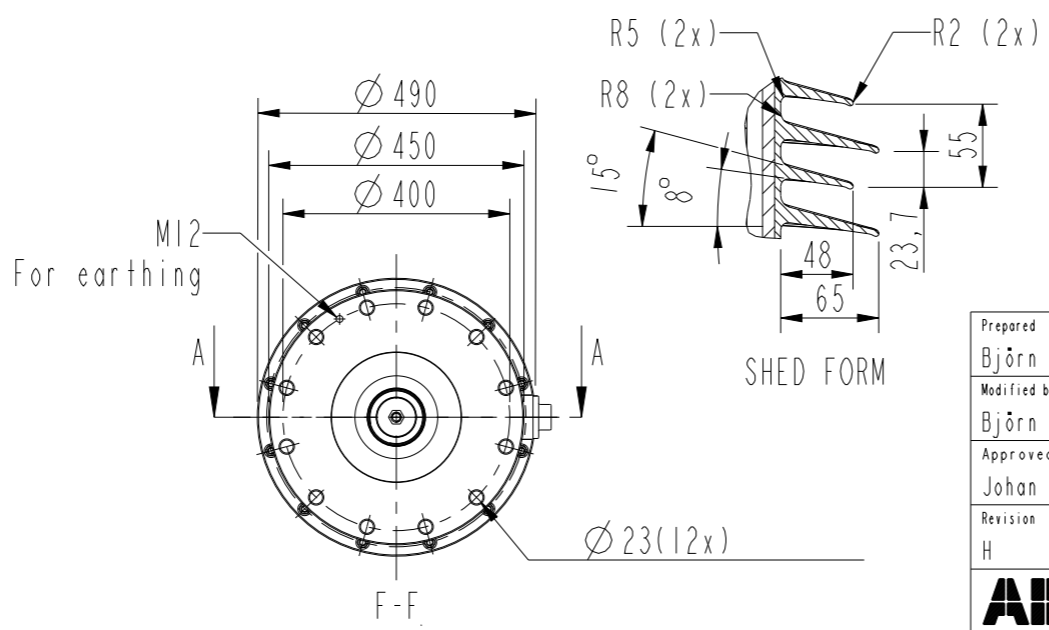
| INNER TERMINAL | D3 (mm) |
|----------------|---------|
| IZSC999005-AAA | 15      |
| IZSC999005-AAB | 30      |
| IZSC999005-AAC | 40      |
| IZSC999005-AAD | 42      |

| FIXED BOTTOM CONTACT |  |
|----------------------|--|
| IZSC999002-AAE       |  |

| END SHIELD     |                 |
|----------------|-----------------|
| IZSC999003-AEA | Epoxy insulated |



|   |                                   |                           |                 |
|---|-----------------------------------|---------------------------|-----------------|
| Prepared<br>Björn Edberg<br>2015-06-09        | Responsible department<br>PPCO/BK | Title<br>GSB 245/2000/0.3 | Language<br>82  |
| Modified by<br>Björn Edberg<br>2015-06-15     | Take over department              |                           |                 |
| Approved by<br>Johan X Eriksson<br>2015-06-15 | Used in product                   | Order                     | Sheet no.<br>1  |
| Revision<br>H Mass                            |                                   |                           |                 |
|   |                                   | Document no.<br>2751377-9 | No. Shs.<br>(1) |