

# FEIP-21 EtherNet/IP™ adapter module

## Quick installation and start-up guide

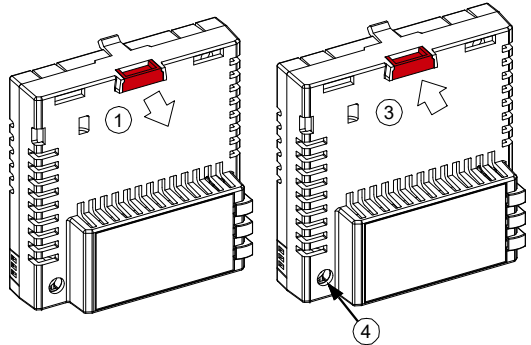
### Safety instructions



**WARNING!** Obey the safety instructions of the drive. If you ignore them, injury or death, or damage to the equipment can occur.

### Mechanical installation

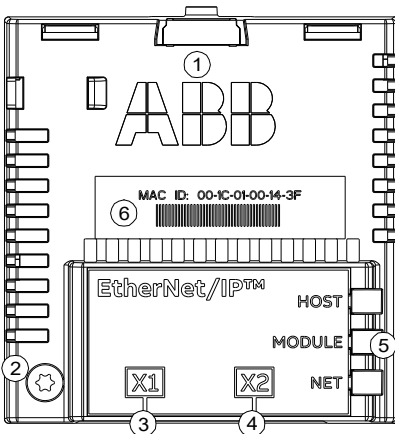
1. Pull out the lock.
2. Install the module carefully to an option module slot of the drive. Refer to the drive hardware manual.
3. Push in the lock.
4. Tighten the screw to torque 0.8 N·m with a Torx TX10 screwdriver.



**WARNING!** Do not use excessive force, or leave the screw too loose. Over-tightening can damage the screw or module. A loose screw decreases the EMC performance, and can cause an operation failure.

### Electrical installation

#### Layout of the module



No.	Description
1	Lock
2	Mounting and grounding screw
3	RJ-45 connector [X1] to Ethernet
4	RJ-45 connector [X2] for chaining another module
5	Diagnostic LEDs
6	MAC address

## Start-up

To control the drive with the adapter module, set at least the basic parameters listed in the table below. For full parameter descriptions, refer to the adapter module's user manual or to the drive's firmware manual.

### ■ Basic parameter settings

Index	Name	Value
20.01	Ext1 commands	Fieldbus A
22.11	Speed ref1 source	FBA A ref 1
28.11	Frequency ref1 source	FBA A ref 1
50.01	FBA A enable	Enable (or select the option slot in which the module is installed). This activates the communication module. The HOST LED becomes green.
50.02	FBA A comm loss func	Fault
51.02	Profile	The ODVA AC/DC drive profile (EIP AC/DC) is the default value.
51.04	IP configuration	Set the IP address according your network configuration.
51.05...08	IP address	
51.09	Subnet CIDR	

To take the settings into use, validate and refresh the parameters with parameter 51.27 FBA par refresh.

### ■ Connectivity configuration

The FEIP-21 adapter module has a web page for connectivity configuration.

To access the web page:

1. Open a web browser and type the IP address of the adapter module in the address field. The IP address is visible in group 51, parameters 5...8

**Example:** <https://192.168.0.24/>

2. Log in with a user name and a password.

The default user name: admin

Password: The last six digits of the MAC address of the adapter module, in upper case letters, without hyphens. The MAC address is visible on the front cover of the adapter module.

**Example:** If the MAC address of the adapter module is 00-1C-01-00-2F-73, the password is 002F73.

## Further information

Refer to the latest version of FEIP-21 Ethernet/IP adapter module user's manual (3AXD50000158621 [English]) in ABB library ([www.abb.com/drives/documents](http://www.abb.com/drives/documents)).



[FEIP-21 manual](#)

For more information on ABB fieldbus options and protocols, refer to the fieldbus communications web page ([new.abb.com/drives/connectivity/fieldbus-connectivity](http://new.abb.com/drives/connectivity/fieldbus-connectivity)).



[Fieldbus communications web page](#)

[abb.com/drives](http://abb.com/drives)

© Copyright 2025 ABB. All rights reserved.  
Specifications subject to change without notice.



3AXD50000158584C

