

Softstarter type PSTX30...370

Spare part instruction - Replace the plastic details

1SFC132112M0201 January 2016

Rev A

EN | Spare part instruction

| Softstarter type PSTX30...370

| Replace the plastic details

General

For complete information, see 1SFC132081M0201 - Softstarters Type PSTX30...PSTX1250, Installation and Commissioning Manual available on: <http://www.abb.com/lowvoltage>



Service and repair should be performed by authorized personnel only. Note that unauthorized repair affects safety and warranty.

- Replace the bottom

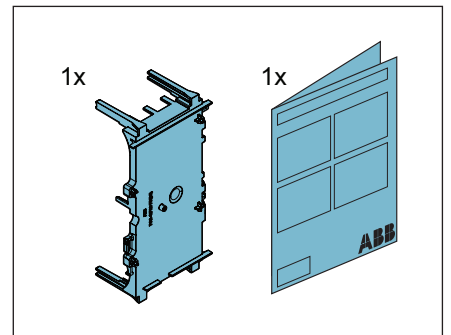
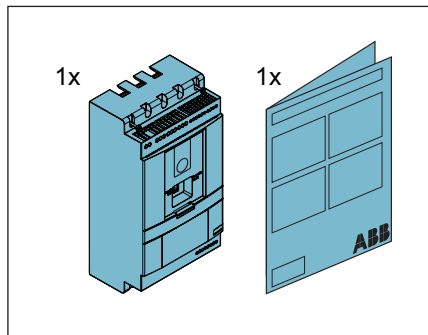
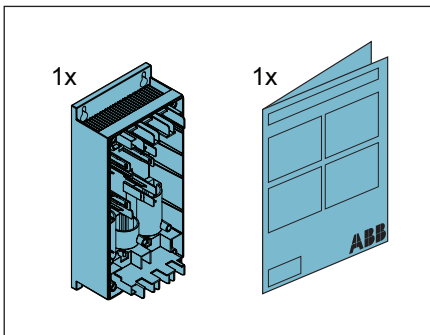
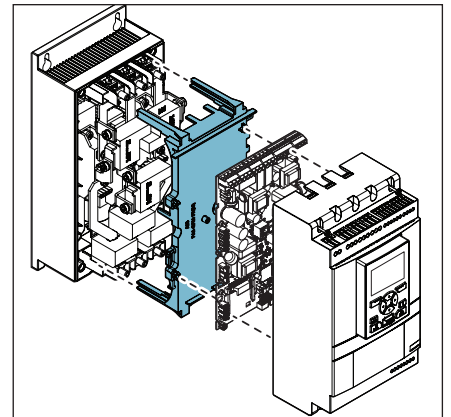
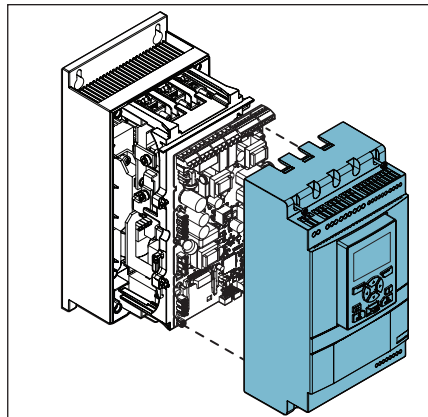
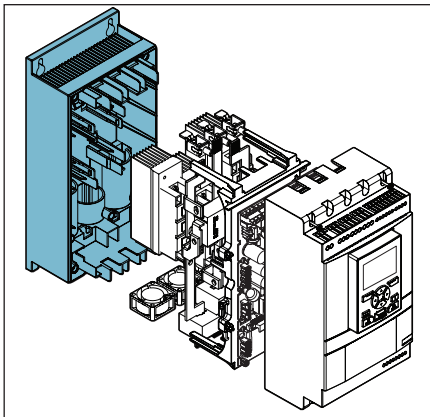
- 1. PSTX30...105
- 4. PSTX142...170
- 7. PSTX210...370

- Replace the cover

- 2. PSTX30...105
- 5. PSTX142...170
- 8. PSTX210...370

- Replace the CB bracket

- 3. PSTX30...105
- 6. PSTX142...170
- 9. PSTX210...370



Power and productivity
for a better world™



Safety information



Warning! A qualified electrician must carry out installation, commissioning and service on the product by following installation standards and regulations. The product user hazardous voltage that can cause death or serious injury. Always disconnect power before working on equipment. Do not touch terminals when voltage is applied, output terminals can have live voltage even when the device is in off position. The product should only be used within the specified ratings. Check that you have the correct product in regards to mains voltage, supply voltage and rated product data.



Warning! Installation, idrifttagning och service av denna produkt skall endast utföras av behörig el-personal. Säkerhets- och installationsnormer skall följas. Produkten använder livsfarlig spänning, innan arbete utförs ska alltid spänningen frånskiljas. Rör inga anslutningar när produkten är spänningssatt, anslutningarna är spänningssatta även när produkten är i fränläge. Produkten skall endast användas inom dess specificerade data, kontrollera den gentemot huvudspänning, kontrollspänning och övriga märkdata.



Warnung! Installation, Inbetriebnahme und Service dieses Produktes darf nur durch qualifiziertes Fachpersonal unter Beachtung der nachfolgenden Hinweise und Erklärungen erfolgen. Die in dem Gerät vorhandenen Spannungen können bei Berührung zu tödlichen oder ernsthaften Verletzungen führen. Vor Arbeiten an dem Gerät ist grundsätzlich die Versorgung abzuschalten. Bei Anliegen der Versorgungsspannung dürfen keine Klemmen berührt werden, an den Ausgangsklemmen kann auch bei ausgeschaltetem Gerät eine gefährliche Spannung anliegen. Der Einsatz des Gerätes darf nur innerhalb der spezifizierten Bedingungen erfolgen. Überprüfen Sie vor Einsatz, dass die Geräetype bezüglich Versorgungsspannung, Schaltspannung und sonstiger Daten den Anforderungen entspricht.



Avvertenza! L'installazione, la messa in servizio e la manutenzione di questo prodotto devono essere effettuate solo da un elettricista qualificato, seguendo fedelmente le disposizioni in materia di installazione e sicurezza. Il prodotto utilizza tensioni pericolose che possono causare gravi danni o morte. Scollegare sempre l'alimentazione prima di accedere all'apparecchio. Non toccare mai i terminali quando l'apparecchio è sotto tensione: i terminali di uscita sono in tensione anche quando l'apparecchio è SPENTO. Prima dell'istallazione; verificare di aver scelto il prodotto corretto specialmente in termini di tensione di alimentazione, principale ed ausiliaria, ma più in generale per tutte le caratteristiche tecniche. Il prodotto va utilizzato solo nelle condizioni specificate.



警告! 产品的安装、调试及运行必须由具备资质的专业电工遵照相关标准及安全规范完成。产品使用能致命或引起严重伤害的危险电压。在产品上进行操作时务必断开电源。通电时不可接触接线端子，产品关断后输出端子仍有电压。产品仅能按照规定额定值使用。检查主回路电压，控制回路电压及其它产品参数符合产品规定。



Avertissement! Un électricien qualifié doit exécuter l'installation, la mise en service et l'entretien de ce produit en suivant les normes d'installation et les règles de sécurité. Le produit utilise une tension dangereuse qui peut causer la mort ou des blessures graves. Toujours débrancher l'alimentation avant de travailler sur l'équipement. Ne teuchez pas les prises de raccordements lorsqu'une tension est appliquée, les prises de raccordements de sortie auront toujours une tension résiduelle, même si l'appareil est sur OFF. Le produit doit être seulement utilisé dans les calibres spécifiées. Vérifiez que vous avez le bon produit en ce qui concerne la tension du secteur, la tension d'alimentation nominale et les données produits.



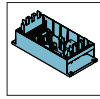
Осторожно! Установка, ввод в эксплуатацию и обслуживание данного оборудования должны производиться квалифицированным персоналом, специально допущенным к таким работам, в соответствии с действующим законодательством и требованиями предъявляемыми к обслуживанию электроустановок и обеспечению безопасности. В изделии используется опасное для человека напряжение, которое может привести к смерти или серьезным травмам. Всегда отключайте напряжение перед началом любых работ на оборудовании. Не дотрагивайтесь до клемм и токоведущих частей когда приложено напряжение. На выходных клеммах может быть напряжение даже если прибор выключен. Прибор должен использоваться строго в соответствии с заявленными параметрами. Проверьте, что прибор подобран правильно и номинальные параметры находятся в соответствии с силовым напряжением и напряжением управления.



تحذير! يسمح فقط للفني أو المهندس الكهربائي المختص للقيام بأعمال التثبيت و التجهيز و الصيانة لهذا النوع من الأجهزة وذلك من خلال اتباع أنظمة التوصيل والتثبيت الكهربائية العلامية وشروط السلامة المعتمدة. هذا النوع من الأجهزة يستخدم جهد خطر قد يؤدي لحدوث الإصابة أو الوفاة. دائما افصل مصدر التيار قبل بدء العمل على الجهاز. لاتلمس أطراف التوصيل عندما يكون هنالك جهد مطبق لأن مخارج أطراف التوصيل تحتفظ بلاجهد حتى بعد فصل مصدر الجهد. هذا الجهاز يجب استخدامه مع ما يناسبه من قيم محددة. تأد دائما من حصولك على الجهاز المناسب لمصدر الفولتية والتردد والقيم المحددة للتيار.

1. PSTX30...105

- Replace the bottom



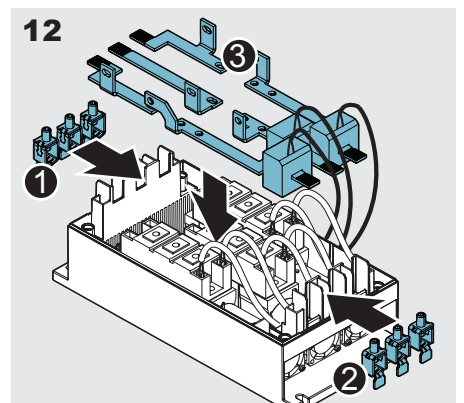
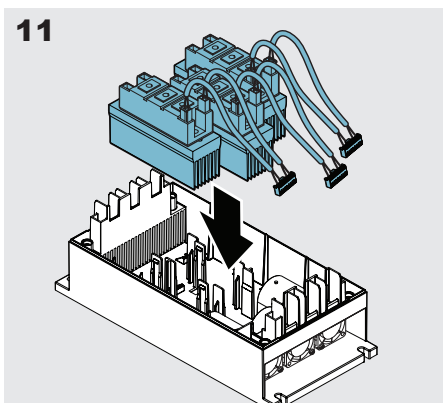
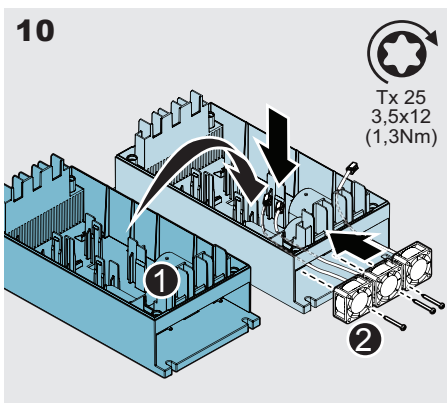
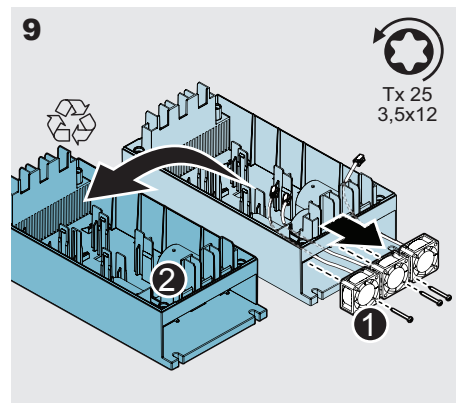
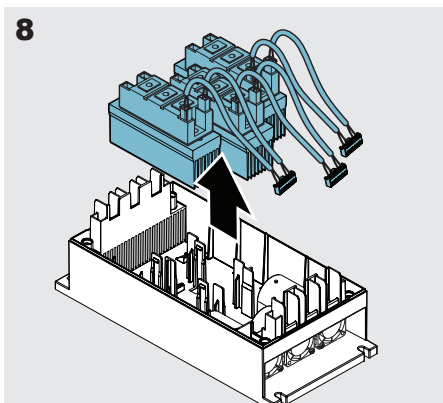
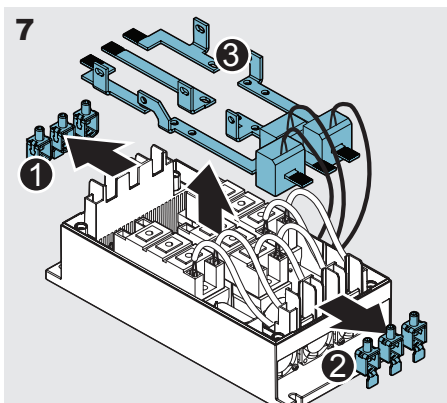
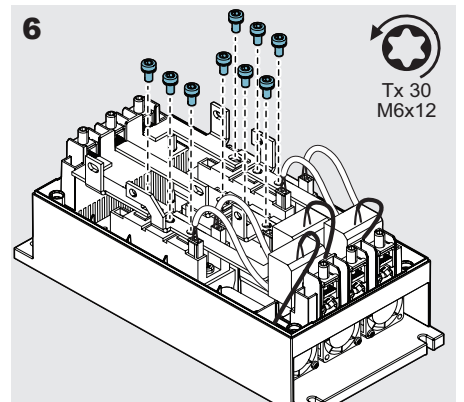
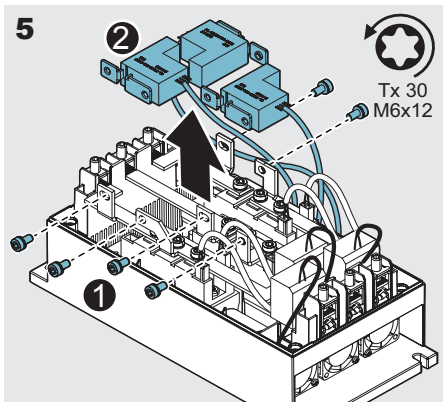
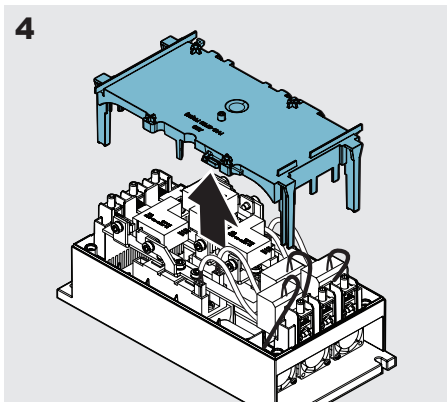
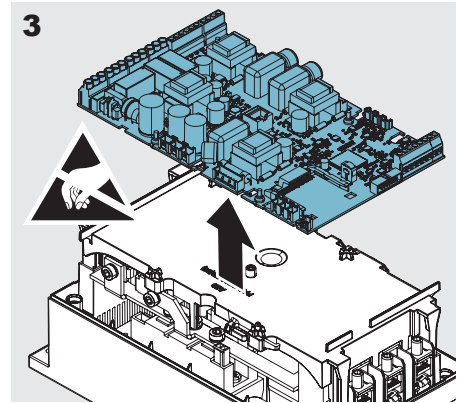
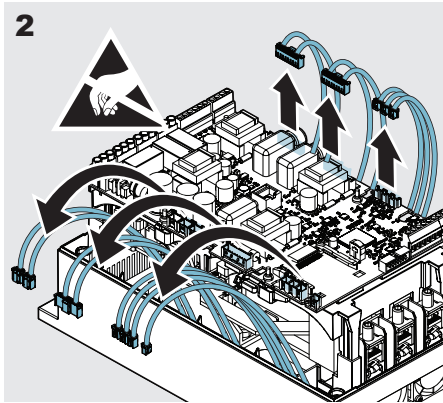
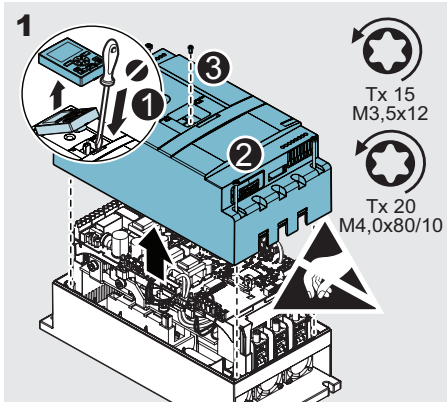
WARNING

When performing maintenance on the Softstarter, an antistatic strap must be used. The antistatic strap should be worn on the wrist, and be connected to an electrical ground, to prevent electrostatic discharge (ESD) damage to the Softstarter.

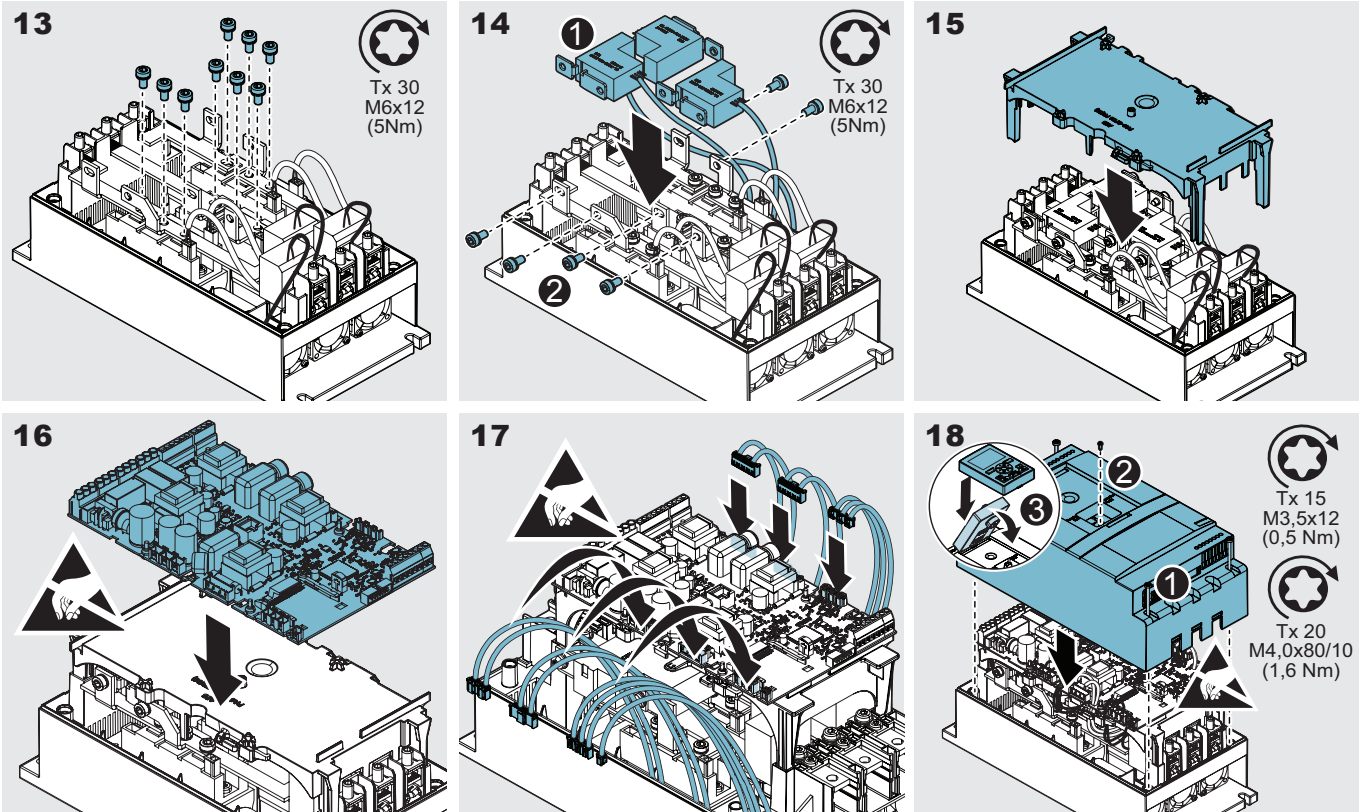


WARNING

Always make sure that the power supply is switched off before doing maintenance on the Softstarter.



1. PSTX30...105 - Replace the bottom



2. PSTX30...105 - Replace the cover



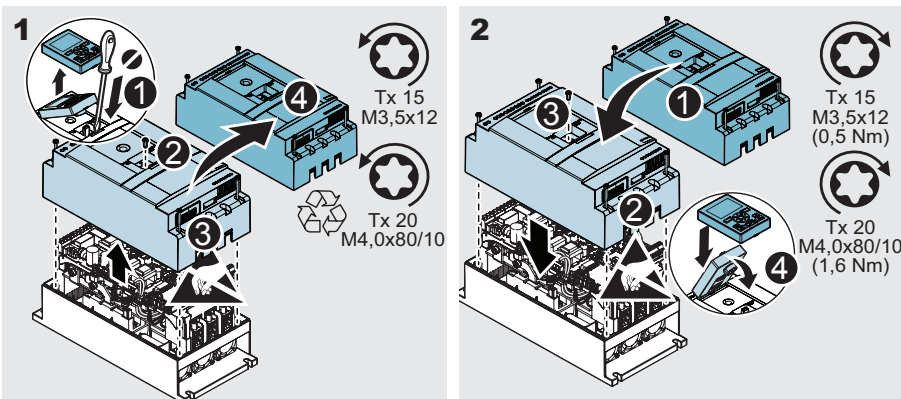
WARNING

Always make sure that the power supply is switched off before doing maintenance on the Softstarter.



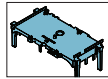
WARNING

When performing maintenance on the Softstarter, an antistatic strap must be used. The antistatic strap should be worn on the wrist, and be connected to an electrical ground, to prevent electrostatic discharge (ESD) damage to the Softstarter.



3. PSTX30...105

- Replace the CB bracket



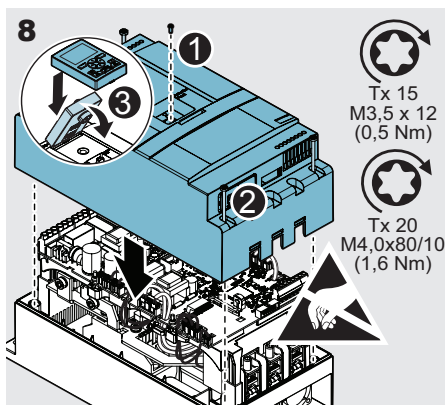
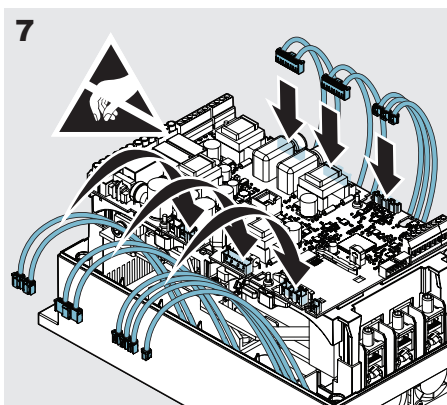
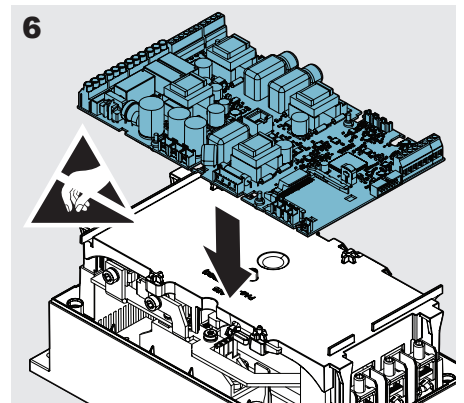
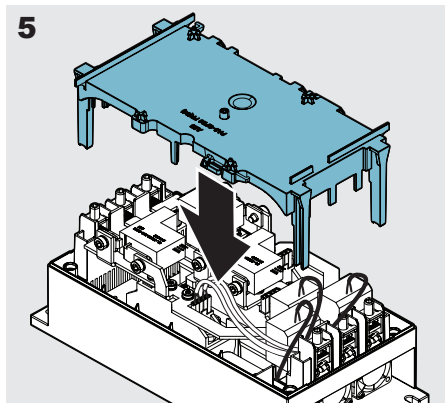
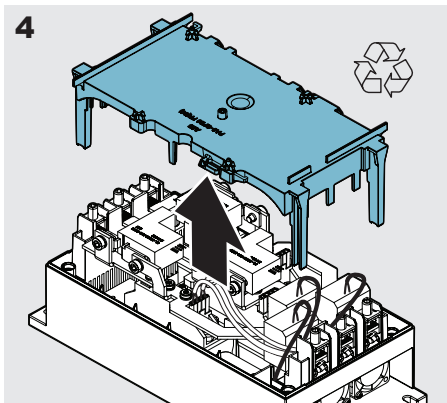
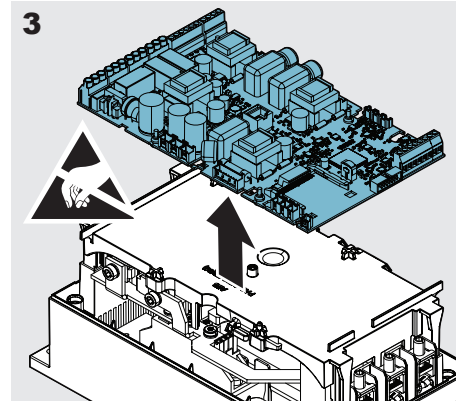
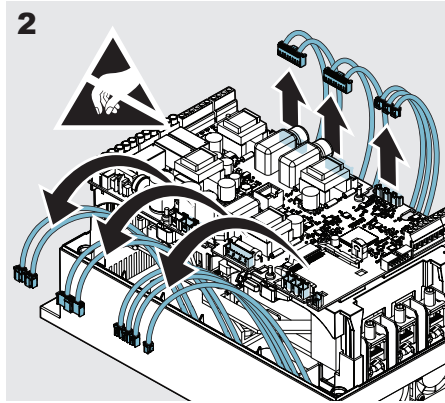
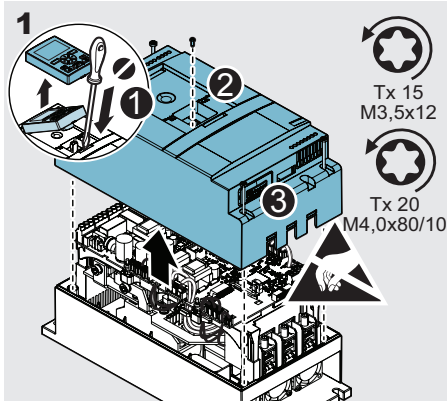
WARNING

When performing maintenance on the Softstarter, an antistatic strap must be used. The antistatic strap should be worn on the wrist, and be connected to an electrical ground, to prevent electrostatic discharge (ESD) damage to the Softstarter.

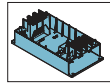


WARNING

Always make sure that the power supply is switched off before doing maintenance on the Softstarter.



4. PSTX142...170 - Replace the bottom



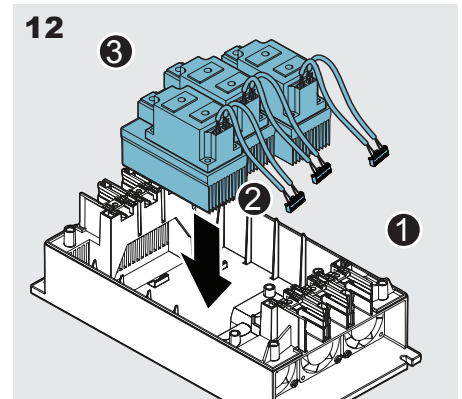
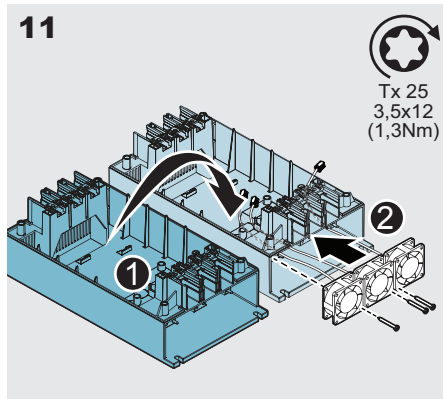
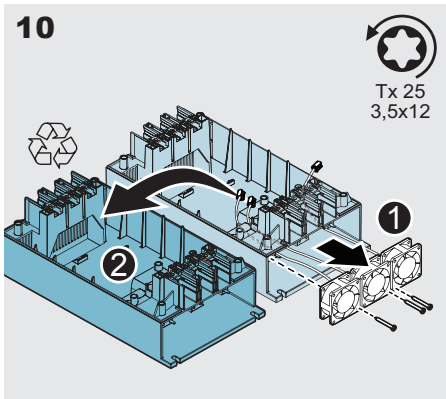
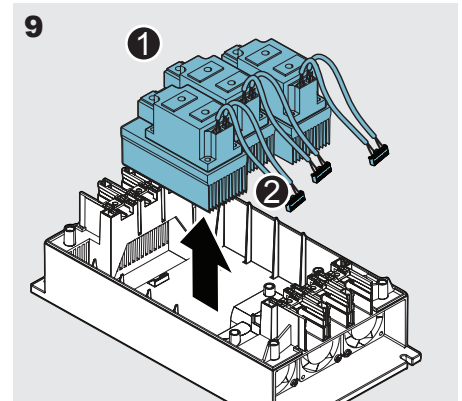
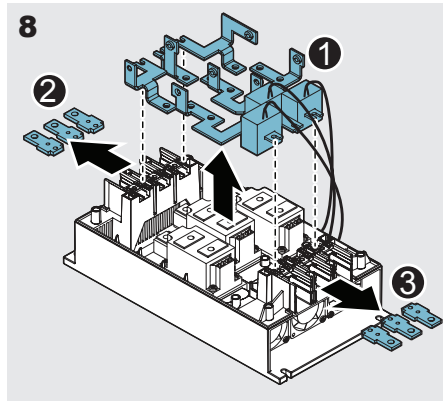
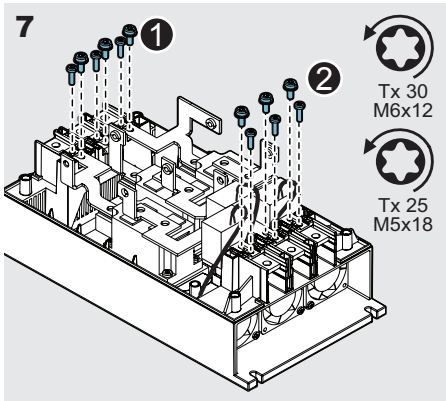
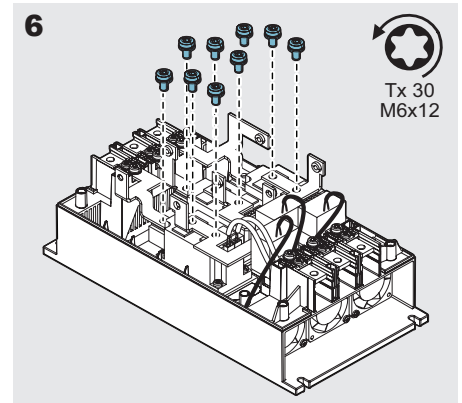
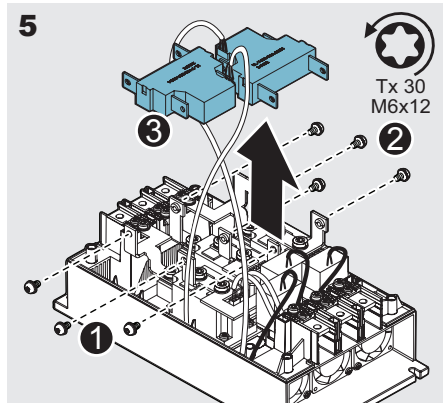
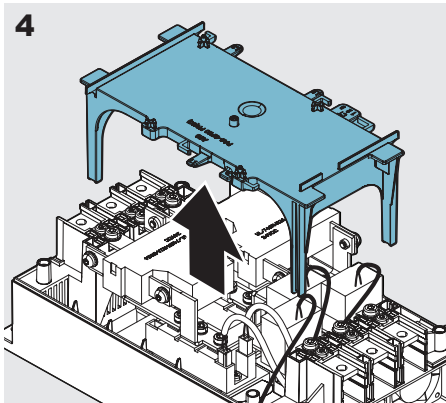
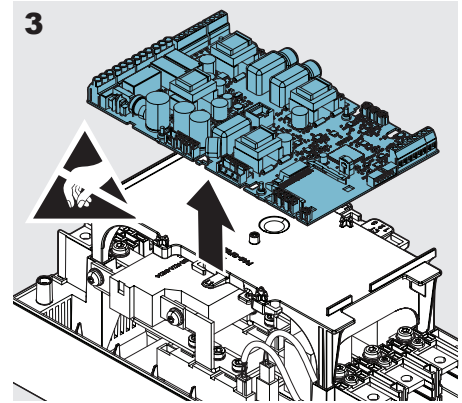
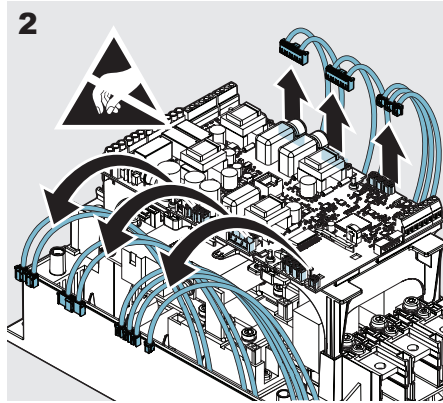
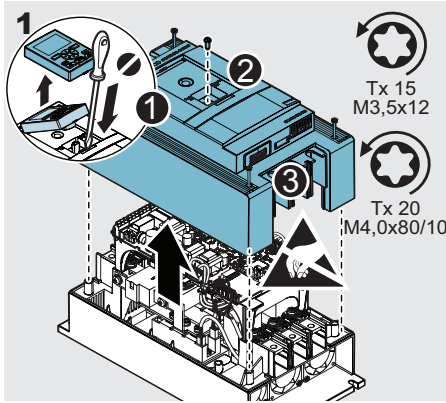
WARNING

Always make sure that the power supply is switched off before doing maintenance on the Softstarter.

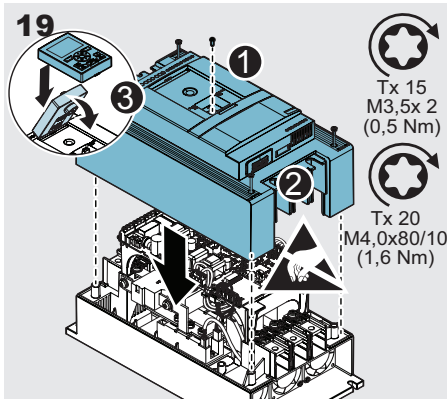
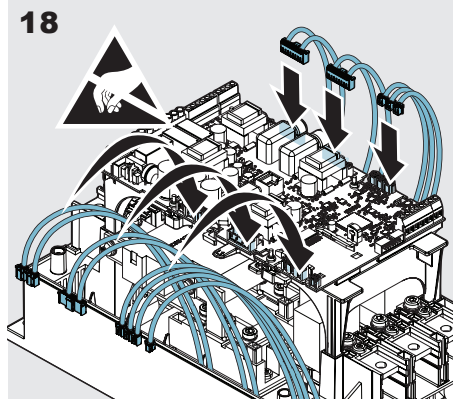
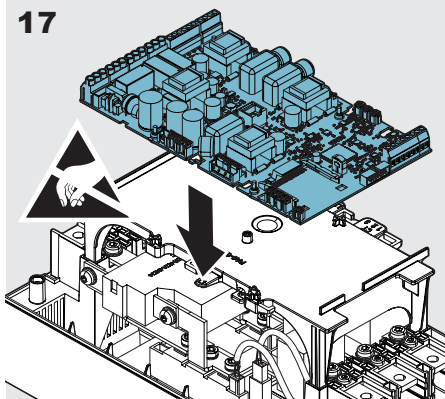
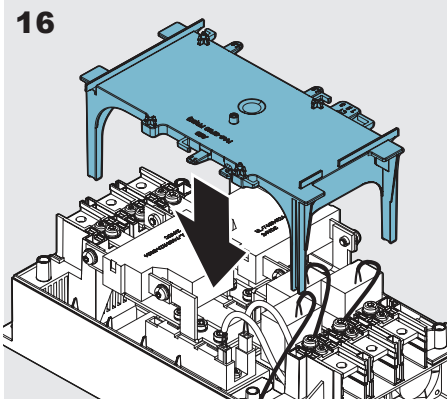
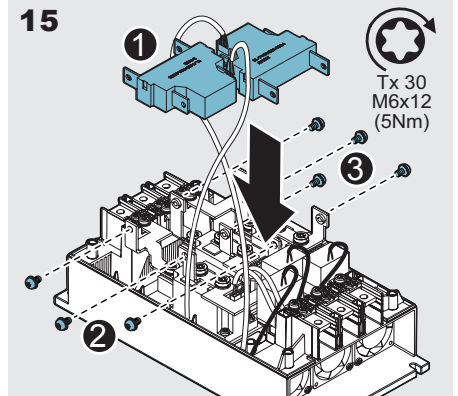
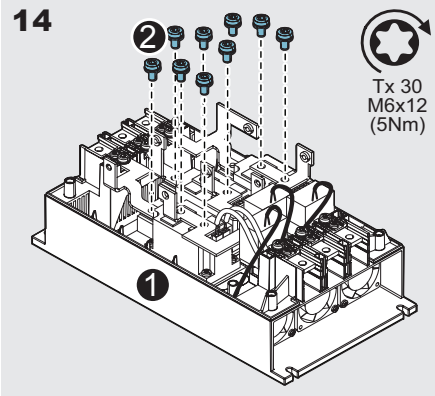
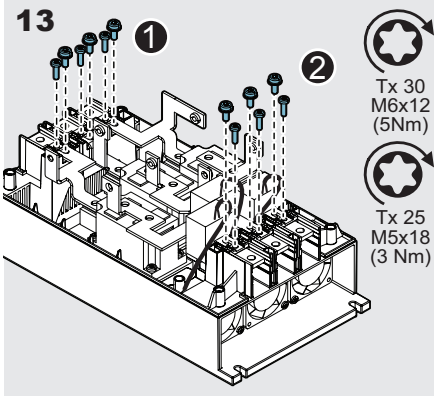
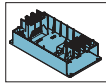


WARNING

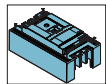
When performing maintenance on the Softstarter, an antistatic strap must be used. The antistatic strap should be worn on the wrist, and be connected to an electrical ground, to prevent electrostatic discharge (ESD) damage to the Softstarter.



4. PSTX142...170 - Replace the bottom



5. PSTX142...170 - Replace the cover



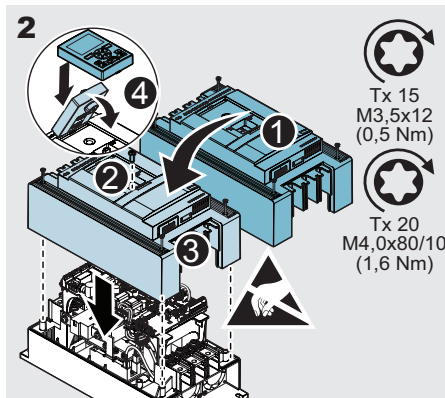
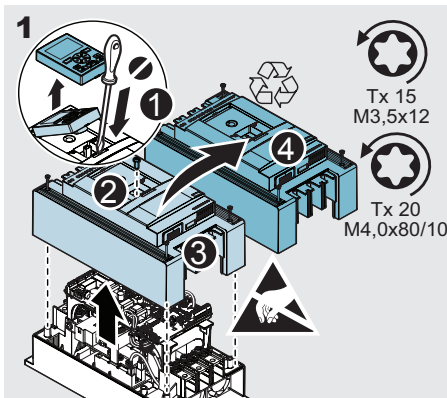
WARNING

Always make sure that the power supply is switched off before doing maintenance on the Softstarter.



WARNING

When performing maintenance on the Softstarter, an antistatic strap must be used. The antistatic strap should be worn on the wrist, and be connected to an electrical ground, to prevent electrostatic discharge (ESD) damage to the Softstarter.



6. PSTX142...170

- Replace the CB bracket



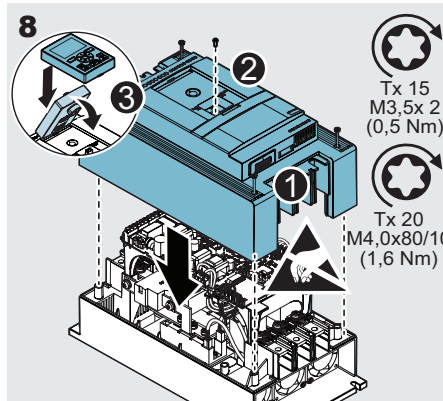
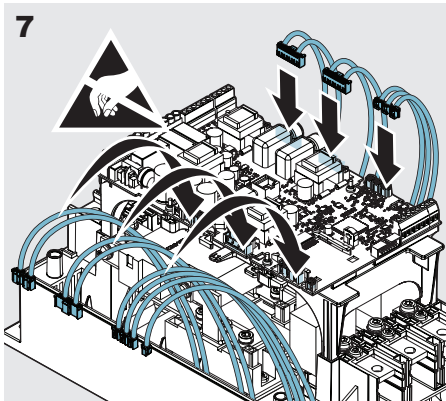
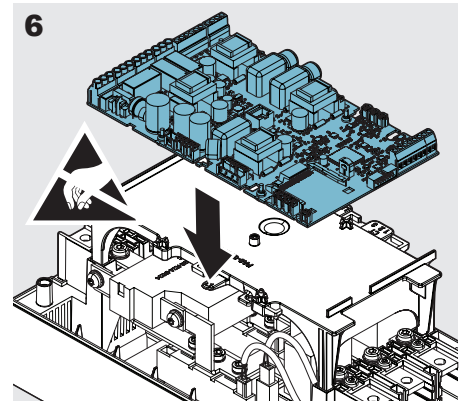
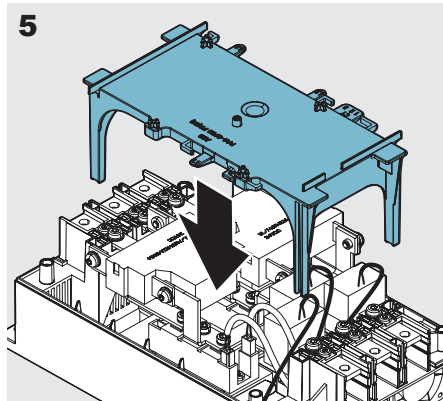
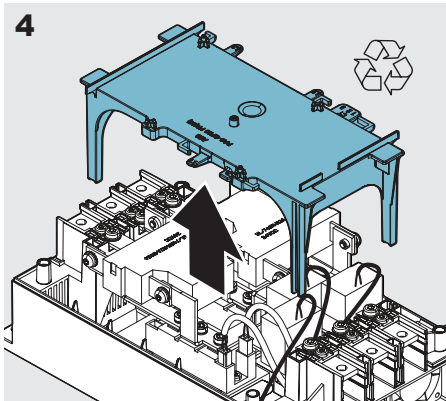
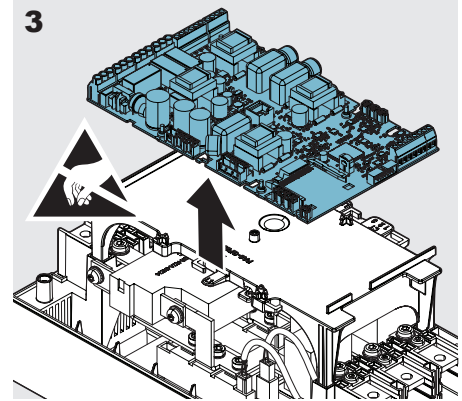
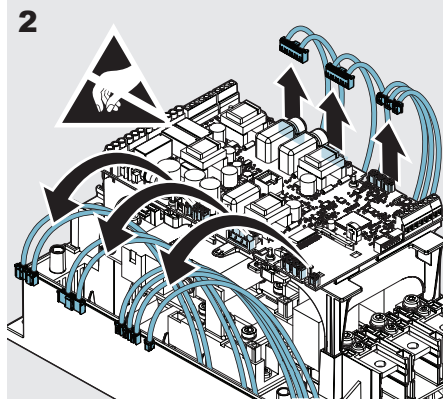
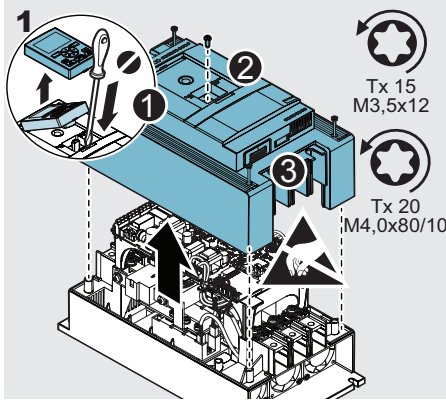
WARNING

Always make sure that the power supply is switched off before doing maintenance on the Softstarter.

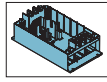


WARNING

When performing maintenance on the Softstarter, an antistatic strap must be used. The antistatic strap should be worn on the wrist, and be connected to an electrical ground, to prevent electrostatic discharge (ESD) damage to the Softstarter.



7. PSTX210...370 - Replace the bottom



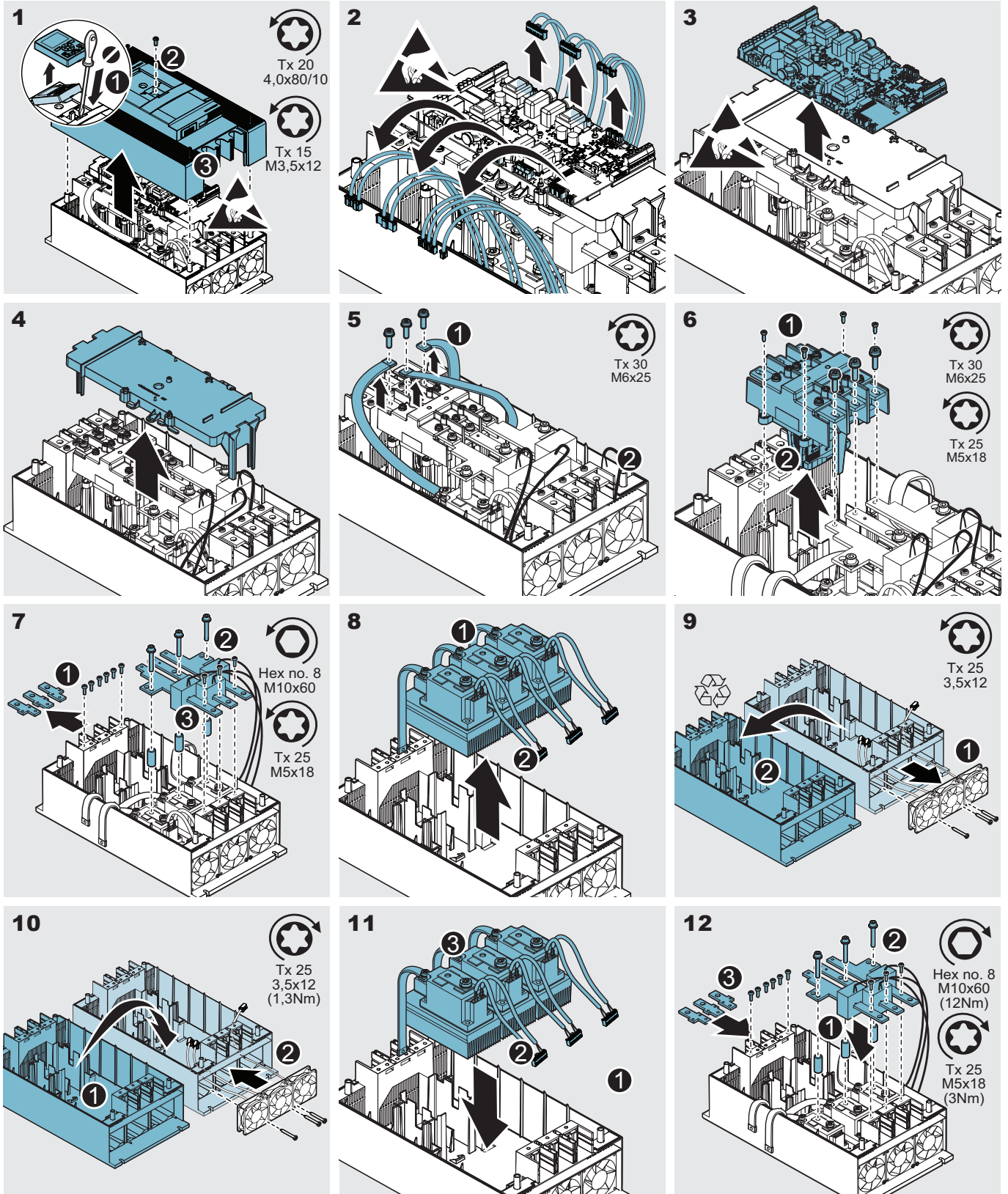
WARNING

Always make sure that the power supply is switched off before doing maintenance on the Softstarter.



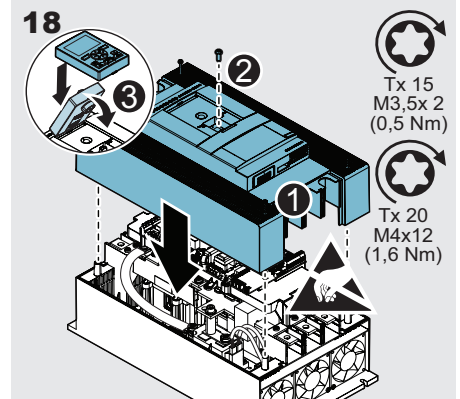
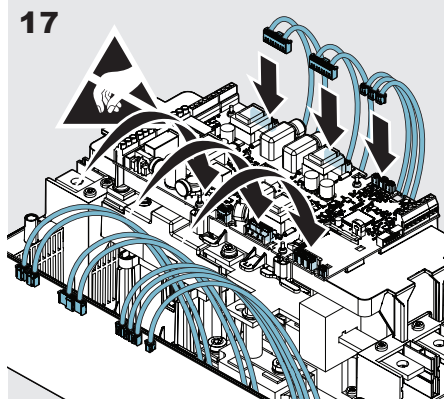
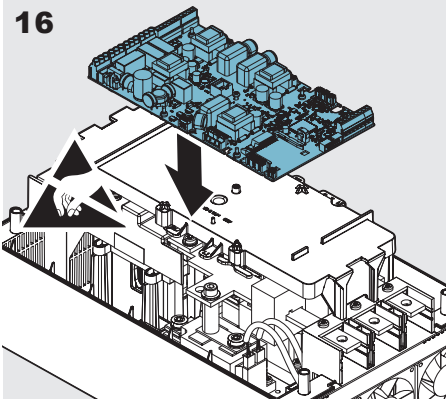
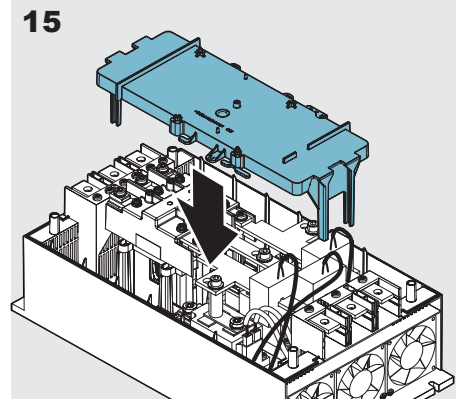
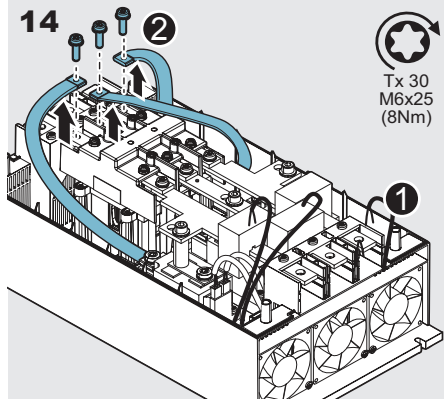
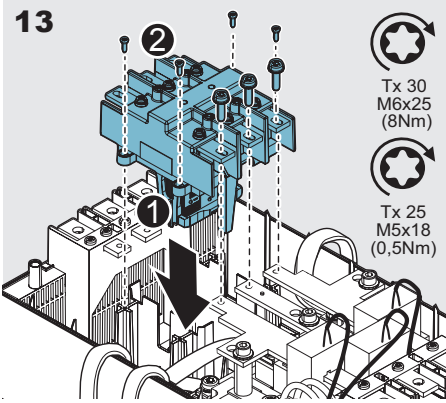
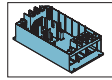
WARNING

When performing maintenance on the Softstarter, an antistatic strap must be used. The antistatic strap should be worn on the wrist, and be connected to an electrical ground, to prevent electrostatic discharge (ESD) damage to the Softstarter.



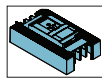
7. PSTX210...370

- Replace the bottom



8. PSTX210...370

- Replace the cover



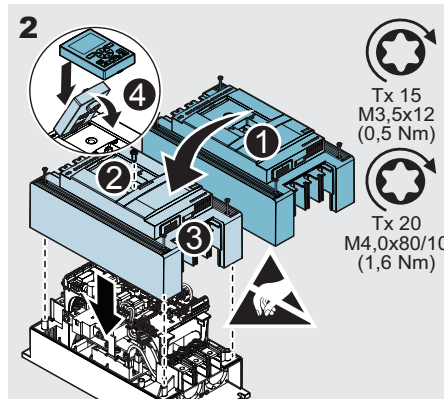
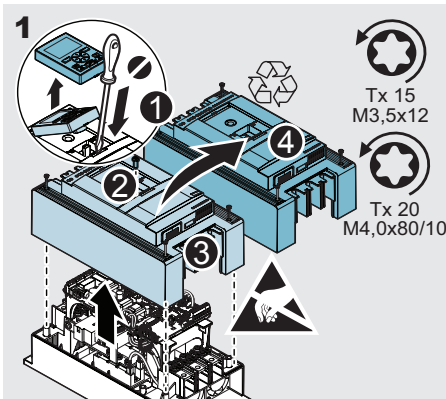
WARNING

Always make sure that the power supply is switched off before doing maintenance on the Softstarter.



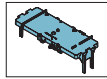
WARNING

When performing maintenance on the Softstarter, an antistatic strap must be used. The antistatic strap should be worn on the wrist, and be connected to an electrical ground, to prevent electrostatic discharge (ESD) damage to the Softstarter.



9. PSTX210...370

- Replace the CB bracket



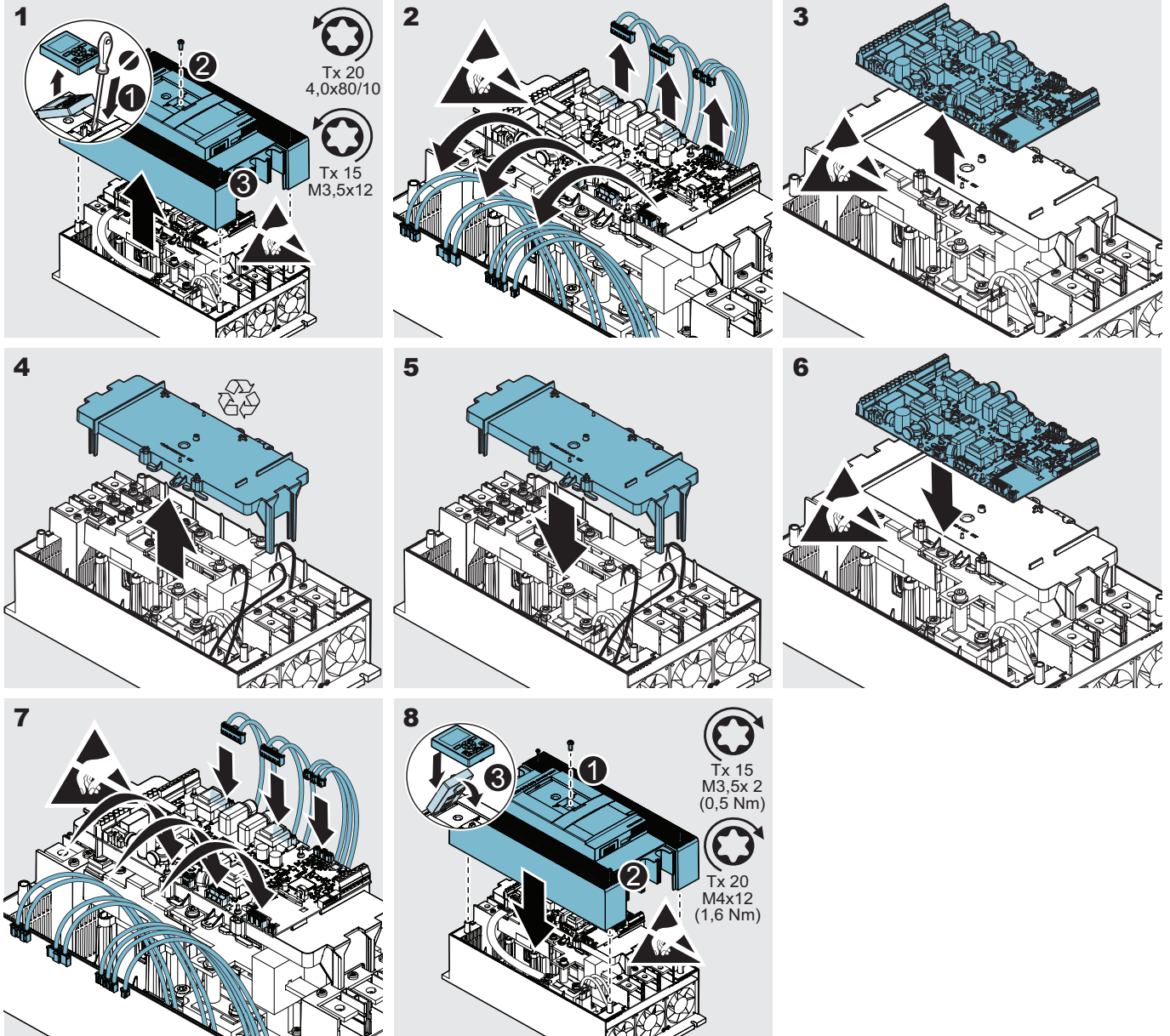
WARNING

Always make sure that the power supply is switched off before doing maintenance on the Softstarter.



WARNING

When performing maintenance on the Softstarter, an antistatic strap must be used. The antistatic strap should be worn on the wrist, and be connected to an electrical ground, to prevent electrostatic discharge (ESD) damage to the Softstarter.



Contact us

ABB AB

Control Products

Low voltage Products

SE-721 61 Västerås, Sweden

Telephone: +46 (0) 21 32 50 00

www.abb.com/lowvoltage

Softstarter Type PSTX30...370, Spare part instruction, 1SFC132112M0201, 2016-01-05, ABB AB, Control Products