

Tmax molded case circuit-breakers

Tmax Ts3

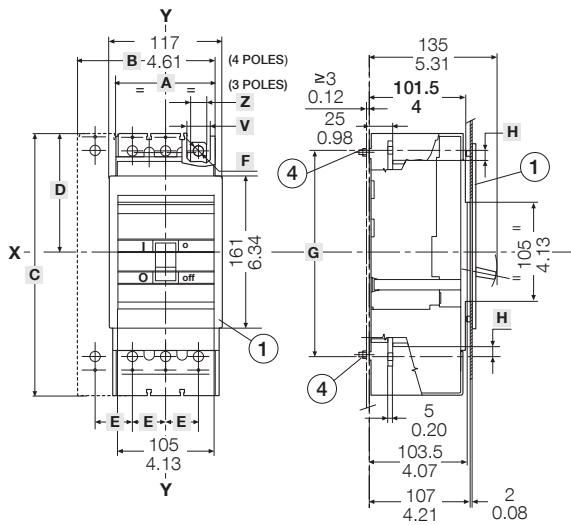
Compliance with Standards		Type of circuit-breaker		Tmax Ts3						
UL489		Frame		150			225			
CSA C22.2 No. 5.1		Rated ultimate short-circuit breaking capacity, Icu		N	H	L	N	H	L	
IEC 60947-2		(AC) 50-60 Hz 240 V		[kA]	65	100	150	65	100	150
EC Directive:		(AC) 50-60 Hz 277 V		[kA]	-	-	-	-	-	-
- "Low voltage directives" (LVD) no. 73/23		(AC) 50-60 Hz 347 V		[kA]	-	-	-	-	-	-
EEC		(AC) 50-60 Hz 480 V		[kA]	25	50	85	25	50	65
- "Electromagnetic compatibility directive"		(AC) 50-60 Hz 600Y/347 V		[kA]	-	-	-	-	-	-
(EMC) no. 89/336 EEC		(AC) 50-60 Hz 600 V		[kA]	14	14	25	-	-	-
		(DC) 250 V-2 poles in series		[kA]	-	-	-	-	-	-
		(DC) 500 V-2 poles in series		[kA]	35	50	65	20	35	50
		(DC) 500 V-3 poles in series		[kA]	-	-	-	-	-	-
		(DC) 600 V-3 poles in series		[kA]	20	35	50	-	-	-
		Trip units:								
		T fixed, M fixed (10xIn) TMF		●						
		T adj., M fixed (10xIn) TMD		-						
Thermomagnetic		T adj., M adj. (5...10xIn) TMA		-						
		T adj., M fixed (3xIn) TMG		-						
		T adj., M adj. (2.5...5xIn) TMG		-						
Magnetic only		M adjustable (6...12xIn) MA		●						
		PR221DS		-						
Electronic		PR222DS/P		-						
		PR222DS/PD-A		-						
Versions				F-P-W						
		Fixed (F)		F-FC CuAl						
Terminals		Plug-in (P)		F-FC CuAl EF-ES-R						
		Withdrawable (W)		F-FC CuAl EF-ES-R						
Fixing on DIN rail				Option						
Mechanical life		[No. operations /hourly oper.]		25000/240						
Electrical life (at 415 V)		[No. operations /hourly oper.]		8000/120						
Basic fixed dimensions		3/4 pole		W	[mm]		105/140			
				D	[mm]		103.5/103.5			
				H	[mm]		170/170			
Weights		fixed 3/4 pole		[kg]		2.6/3.5				
		plug-in 3/4 pole		[kg]		3.1/4.1				
		Withdrawable 3/4 pole		[kg]		3.5/4.5				



Tmax molded case circuit-breakers

Dimensions Ts3 series

Overall dimensions Ts3



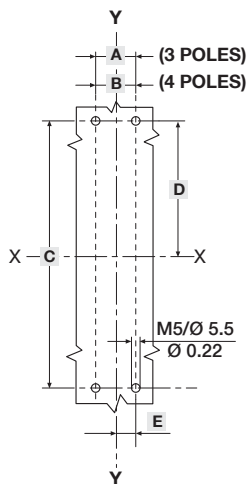
1 Flange for compartment door

4 Tightening torque 2 Nm

Dimensions

	A	B	C	D	E	F	G	H	I	L	V	Z
mm	105	140	170	87.25	35	∅ 8	143	10	73.75	18x18	24	17.5
in	4.13	5.51	6.69	3.44	1.38	∅ 0.31	5.63	0.39	2.90	.71x.71	0.94	0.69

Drilling template for support sheet



Dimensions

	A	B	C	D	E
mm	35	70	139	71.75	17.5
in	1.38	2.76	5.47	2.82	0.69

Contact us

Canada

ABB Inc.

Low Voltage Products

2117 – 32nd Avenue

Lachine, QC, CANADA H8T 3J1

Tel.: 514-420-3100

Fax: 514-420-3137

Toll Free: 1-800-567-0283

www.abb.ca

While all care has been taken to ensure that the information contained in this publication is correct, no responsibility can be accepted for any inaccuracy. The Company reserves the right to alter or modify the information contained herein at any time in the light of technical or other developments. Technical specifications are valid under normal operating conditions only. The Company does not accept any responsibility for any misuse of the product and cannot be held liable for indirect or consequential damages.

© Copyright 2011 ABB Inc. All rights reserved.

