

Configuration guide

Display menu for Sentry TSR/USR

Using the preset configurations

1. Choose preset configuration

- Increment button to change value

- Navigate button to confirm

2. Choose time delay

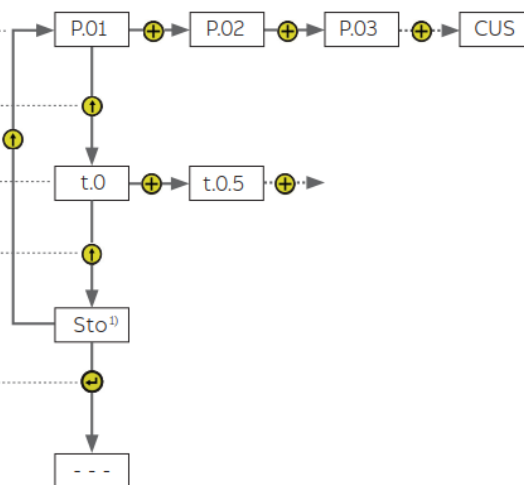
- Increment button to change value

- Navigate button to confirm

3. Confirm and store configuration

- Press Navigate button for 1 sec

4. Power cycle ²⁾

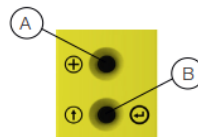


- 1) Sto = store
- 2) Switch power OFF and ON

Buttons

Two buttons are used to navigate in the configuration menu:

- A. Increment button
- B. Navigate button



Factory reset

Press both buttons for > 5 seconds in order to reset and choose a new configuration.

UR22 Configuration

Step 1

Display	Function	Reset	Timer
P.01	NO + NO	Manual	Off-delay
P.02	NO + NO	Auto	Off-delay
P.03	NO + NC	Manual	Off-delay
P.04	NO + NC	Auto	Off-delay
P.05	Contact mat	Manual	Off-delay
P.06	Contact mat	Auto	Off-delay
P.07	Two-hand	Auto	Off-delay
CUS	Customized mode ³⁾		

Step 2

Time

0.0 s, 0.5 s, 1.0 s, 1.5 s, 2.0 s, 3.0 s, 5.0 s, 10.0 s, 15.0 s, 30.0 s

TSR10 Configuration

Step 1

Display	Function	Reset	Timer
P.01	NO + NO	Auto	Off-delay
P.02	NO + NO	Auto	On-delay
P.03	NO + NO	Auto	Time Bypass
P.04	NO + NO	Auto	Time Reset
CUS	Customized mode ³⁾		

Step 2

Time

0.0 s, 0.5 s, 1.0 s, 1.5 s, 2.0 s, 3.0 s, 5.0 s, 10.0 s, 15.0 s, 30.0 s

³⁾ For customized mode, see manual.