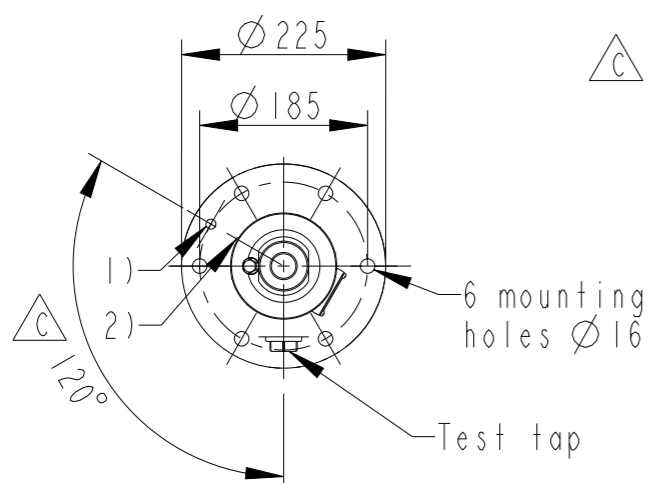
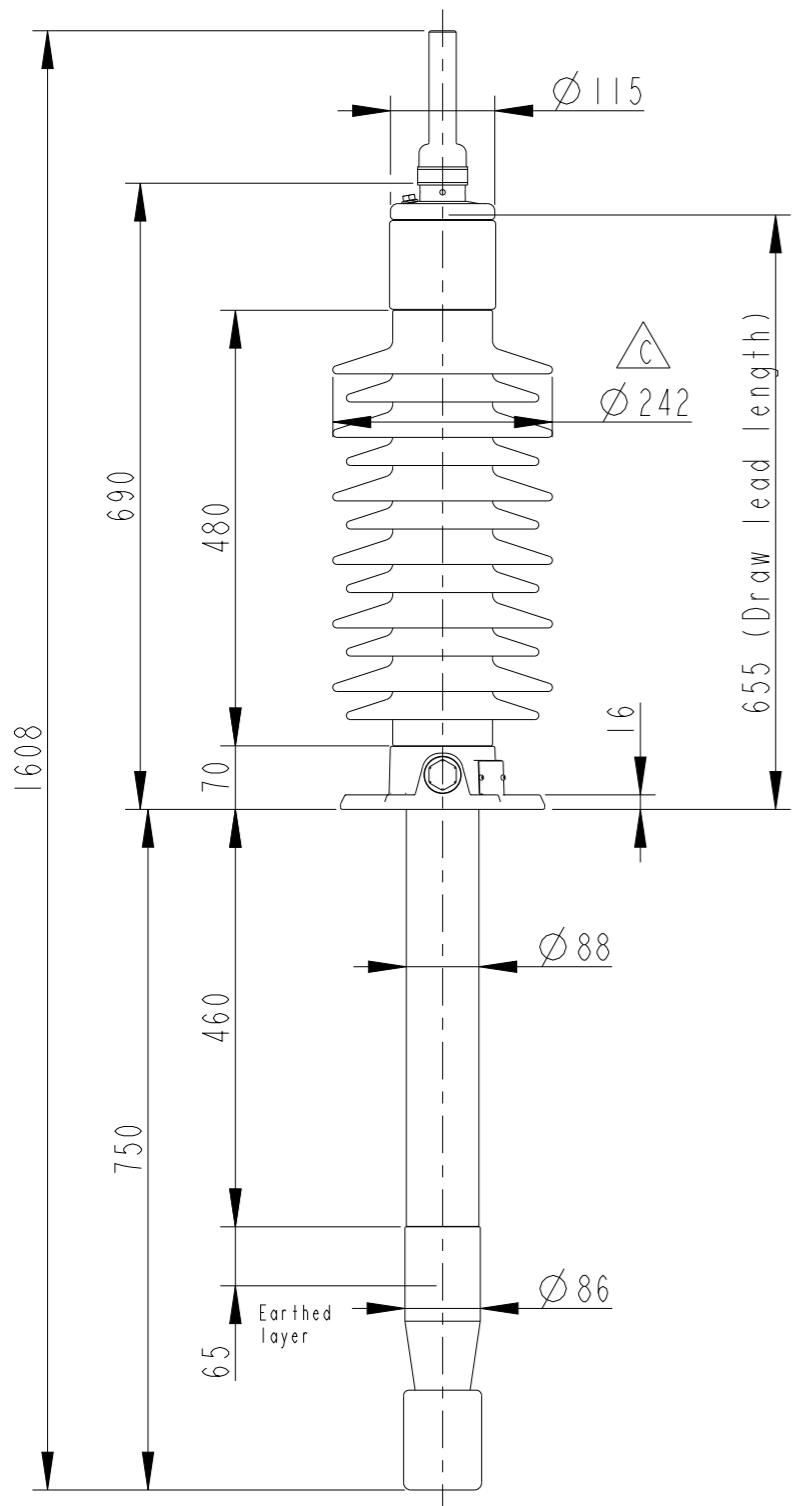


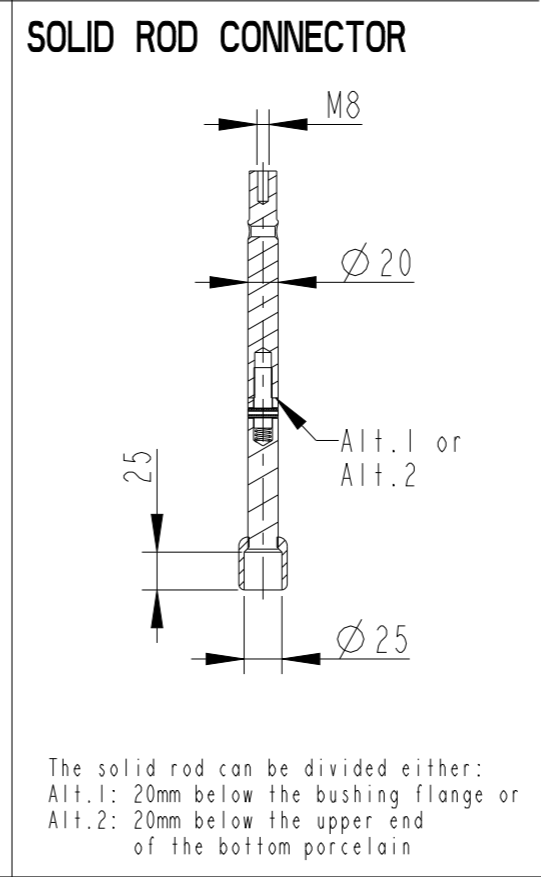
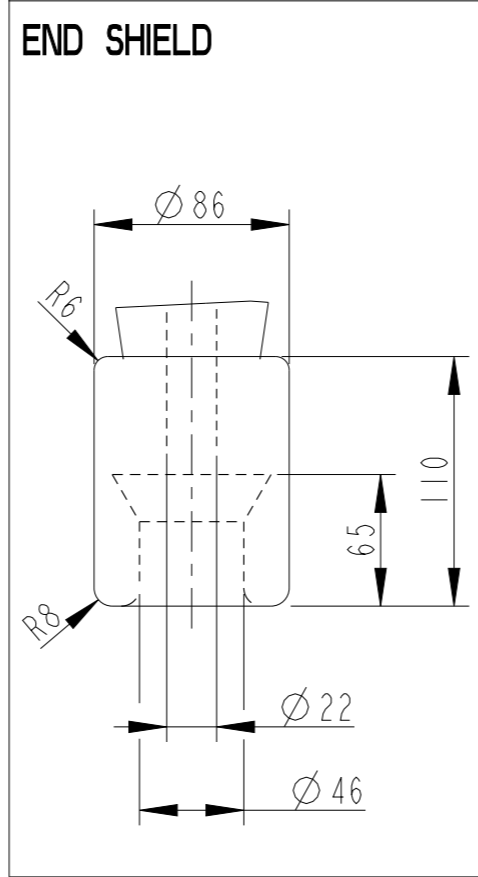
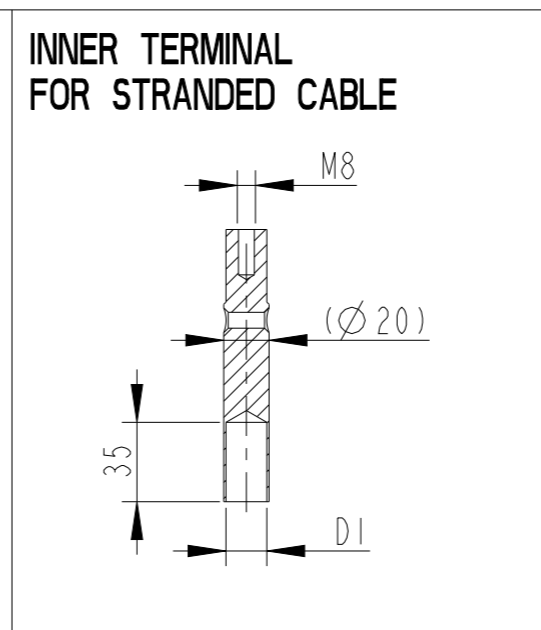
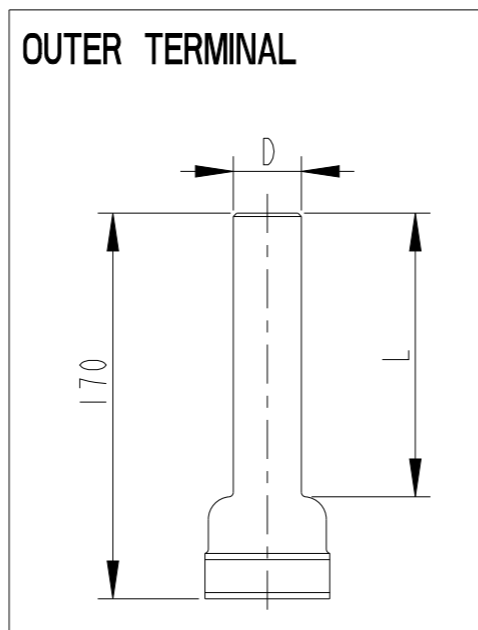
This document is issued by means of a computerized system. The digitally stored original is electronically approved. The approved document has a date entered in the "Approved"-field. A manual signature is not required.

We reserve all rights in this document and in the information contained therein. Reproduction, use or disclosure to third parties without express authority is strictly forbidden.

Revision	Revision text
C	Bushing data, Ordering data & Dims updated



- △ 1) M12 (For Earthing)
- △ 2) Ø4 Oil connection hole (only valid for horizontal mounting)



Bushing Data:

Rated Voltage	52	kV
Phase-to-Earth Voltage	△ 30	kV
Dry Lightning Impulse I,2/50µs	250	kV
Wet power frequency AC	105	kV
Routine test Imin dry 50Hz	120	kV
Rated Current	800	A
Creepage Distance	1690±50	mm
Creepage Distance Protected	650	mm
Mass	△ 37	kg

Ordering Data:

BUSHING	COLOUR	AIR INSULATOR
LF123083-M	BROWN	
LF123083-N	LIGHT GREY	
LF123083-HM △	BROWN	Horizontal 45°-90°
LF123083-HN △	LIGHT GREY	Horizontal 45°-90°
OUTER TERMINAL	Material	D L
LF 170 002-A	Cu alloy, Ø30, 125	
LF 170 001-A	Al, Ø30, 125	
OTHER TYPES ON REQUEST		
INNER TERMINAL FOR STRANDED CABLE		
For brazing	Conductor area	D1
LF 170 011-S	up to 150mm²	Ø18
LF 170 011-U	Undrilled with pilot hole	Ø5
For crimping or brazing	Conductor area	D1
LF 170 010-M	50mm²	Ø11
LF 170 010-N	70mm²	Ø13
LF 170 010-L	95mm²	Ø15
SOLID ROD CONNECTOR	Material	
LF 170 019 -E for Alt.1	Cu	
LF 170 019 -C for Alt.2	Cu	

ABB		Ludvika, Sweden	
No.	Um	kV Ir	A 50/60 Hz
○	BIL	kV SIL	kV AC kV
M	kg	L	mm ✓
C1	pF	Tan δ	x
C2	pF	Tan δ	x

Approved 2021-09-22	Document Kind Dimension Drawing	Based on doc.id	Work order id	Project id
Company ABB AB	Title, Supplementary title GOB 250-800-0.5 Without oil level gauge. Long end shield.			
Responsible Department SEABB-9AAE300824	Document id 2751369-114	Status Released	Revision C	Iteration 1/1
ABB				