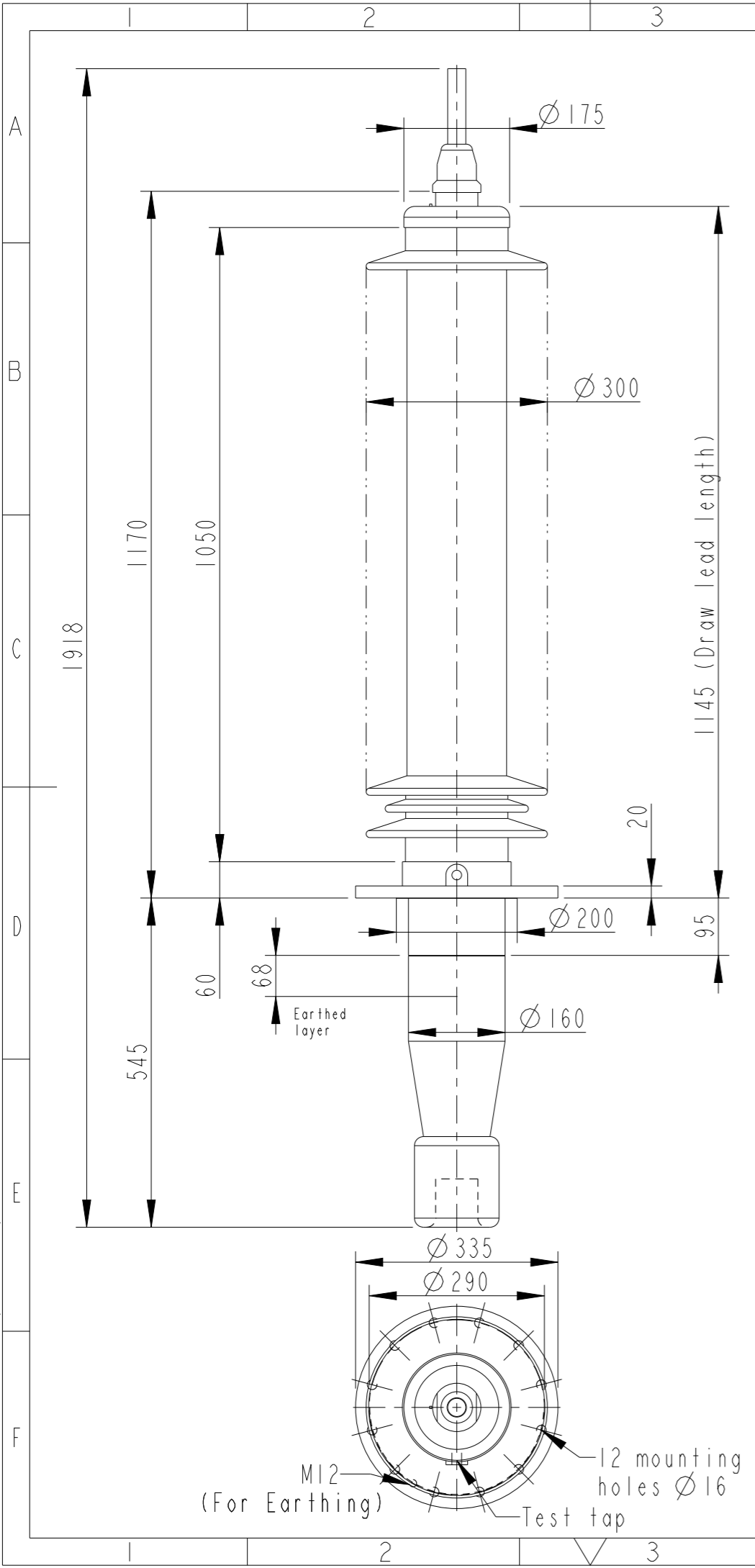
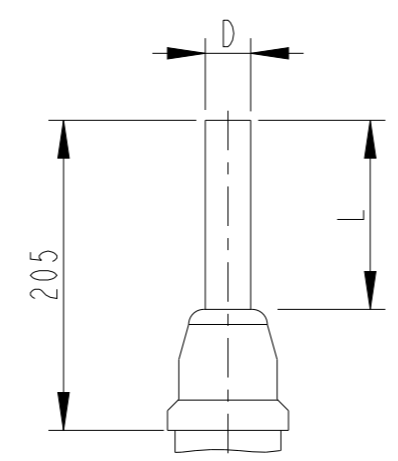


This document is issued by means of a computerized system. The digitally stored original is electronically approved. The approved document has a date entered in the "Approved"-field. A manual signature is not required.

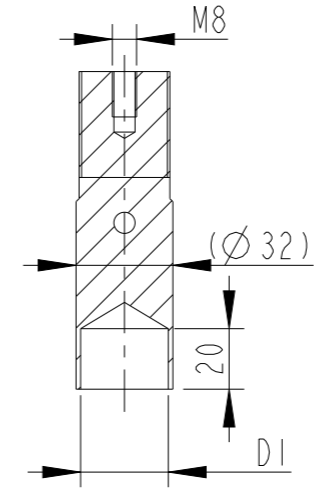
We reserve all rights in this document and in the information contained therein. Reproduction, use or disclosure to third parties without express authority is strictly forbidden.



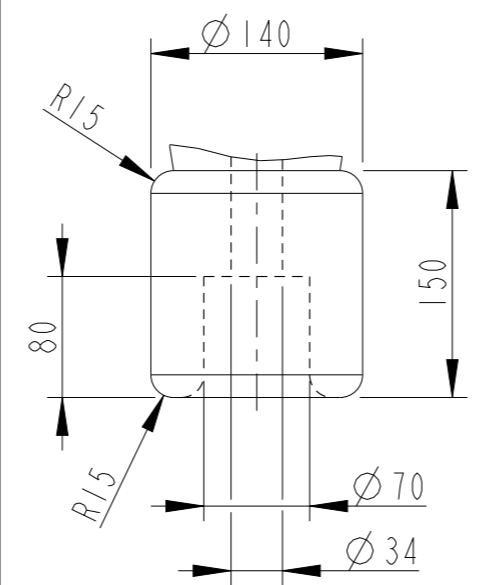
**OUTER TERMINAL**



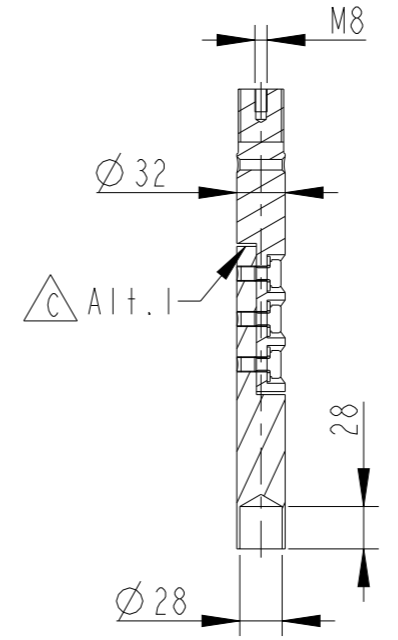
**INNER TERMINAL FOR STRANDED CABLE**



**END SHIELD**



**SOLID ROD CONNECTOR**



Revision	Revision text
C	Removed Alt.2, Changed the Phase to ground voltage from 123 to 98kV

**Bushing Data:**

Rated Voltage	170	kV
Phase to Ground Voltage	98	kV
Dry Lightning Impulse 1,2/50µs	550	kV
Wet power frequency AC	230	kV
Routine test 1min dry 50Hz	260	kV
Rated Current	1250	A
Creepage Distance	3430±100	mm
Creepage Distance Protected	1350	mm
Mass	105	kg

**Ordering Data:**

<b>BUSHING</b>	COLOUR AIR INSULATOR
LF123065-M	BROWN
-N	LIGHT GREY
<b>OUTER TERMINAL</b>	Material D L
LF 170 002-B	Cu alloy, Ø30,125
LF 170 001-B	Al, Ø30,125
OTHER TYPES ON REQUEST	
<b>INNER TERMINAL FOR STRANDED CABLE</b>	
<b>For brazing</b>	Conductor area D1
LF 170 011-T	up to 285mm² Ø29
LF 170 011-V	Undrilled with pilot hole Ø5
<b>SOLID ROD CONNECTOR</b>	Material
LF 170 052 -AM for Alt.1	Cu

Note:  
Mounting inclination 0-45°.  
For inclined and horizontal mounting, see Installation and Maintenance Guide.

ABB		Ludvika, Sweden	
No.	Um	kV Ir	A 50/60 Hz
BL	kV SL	kV AC	kV
M	kg L	mm	°
C1	pF	Tan δ	x
C2	pF	Tan δ	x

Created by Balaji.G.R	Reviewed by Joakim Persson	Approved by Natalia Gutman
Approved 2020-01-14	Document Kind Outline Drawing	Based on doc.id Work order id Project id
Company ABB Technology Ltd	Title, Supplementary title GOB 550-1250-01 WITHOUT OIL LEVEL GAUGE LONG END SHIELD	
Responsible Department SEABB-9AAE300824	Document id 2751369-152	Status Released
<b>ABB</b>	Revision C	Iteration 1/1
	Sheet 1/1	