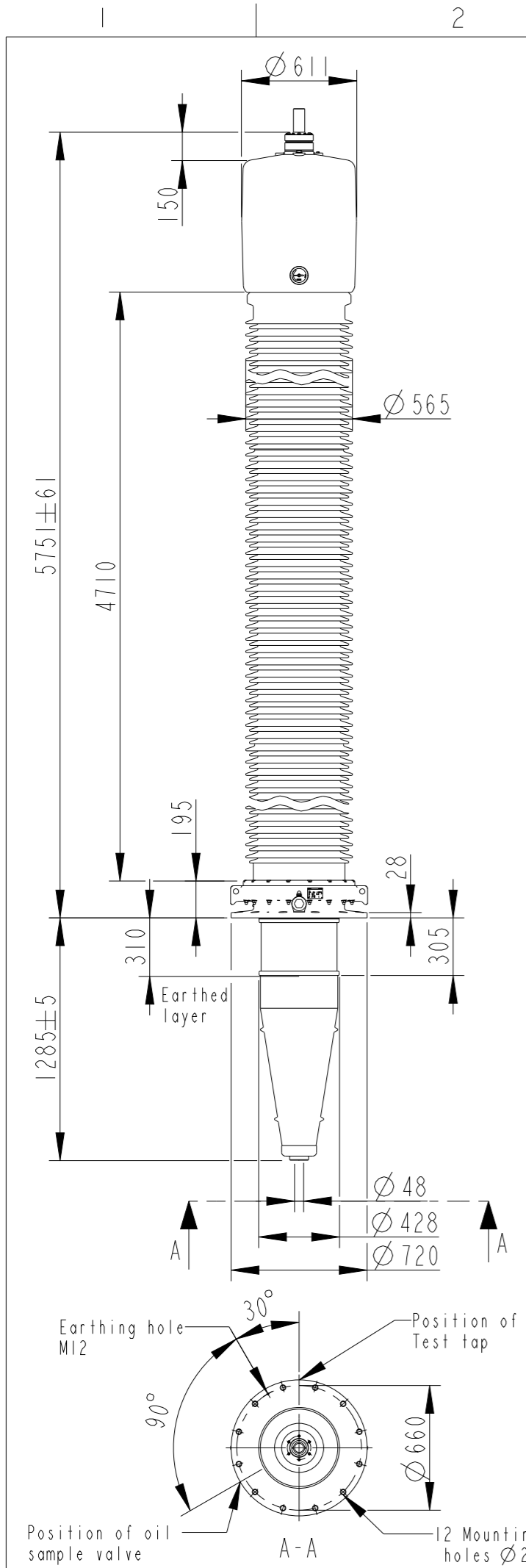


This document is issued by means of a computerized system. The digitally stored original is electronically approved. The approved document has a date entered in the "Approved"-field. A manual signature is not required.

The information contained in this document has to be kept strictly confidential. Any unauthorized use, reproduction, distribution or disclosure to third parties are strictly forbidden. ABB reserves all rights regarding Intellectual Property Rights. © Copyright 2013 ABB. All rights reserved.



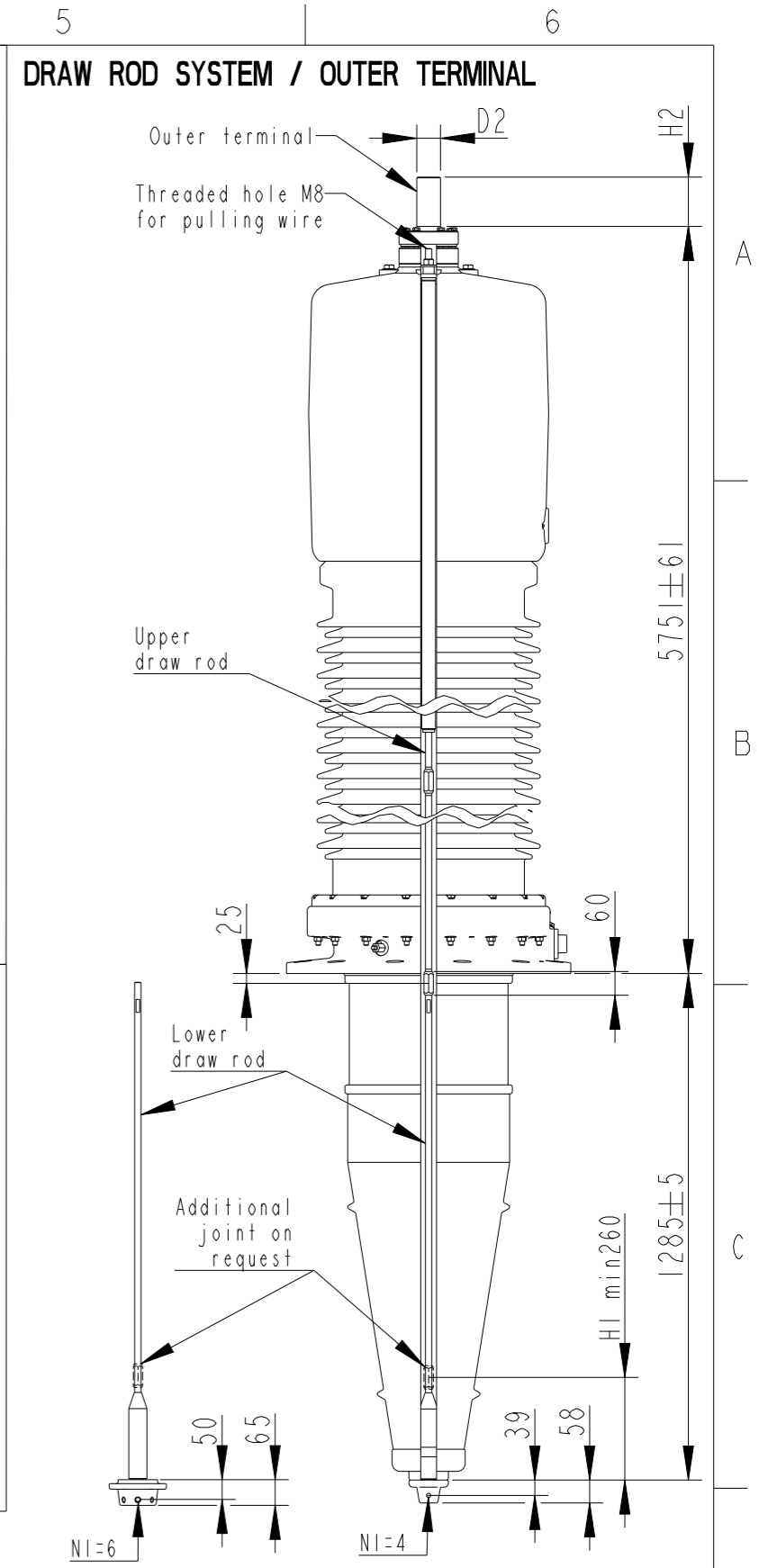
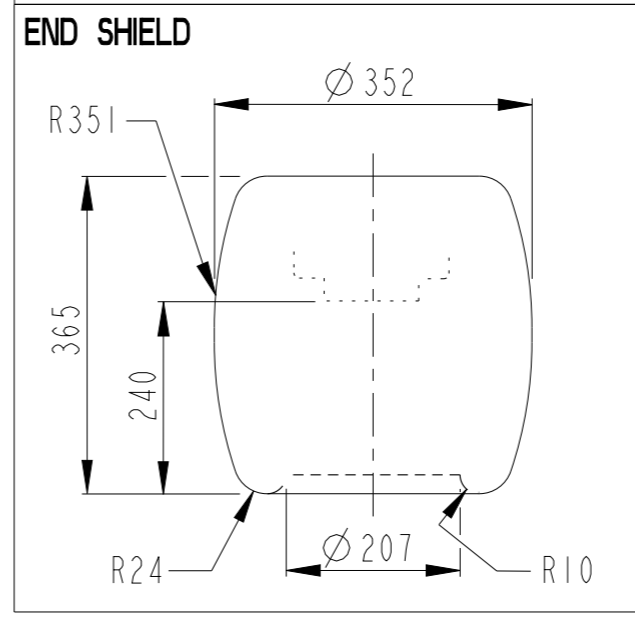
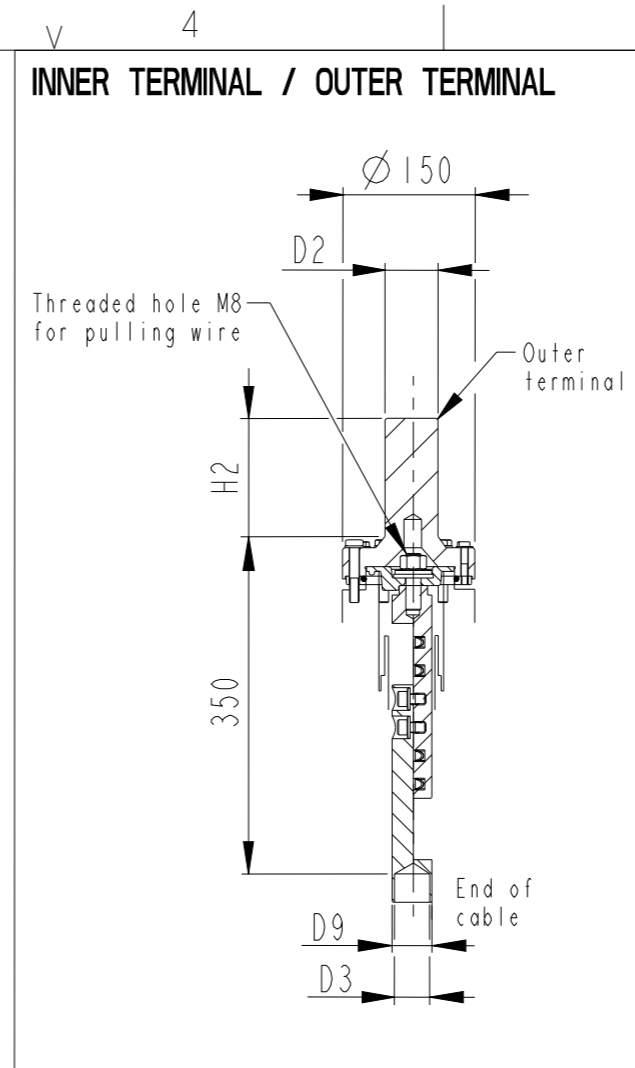
Bushing Data:

| | |
|--------------------------------|----------|
| Rated Voltage | 550 kV |
| Phase to-earth Voltage | 318 kV |
| Dry Lightning Impulse 1,2/50µs | 1675 kV |
| Wet Switching Impulse | 1300 kV |
| Wet Power frequency AC | N/A kV |
| Routine test Imin dry 50Hz | 750 kV |
| Rated Current | 2500 A |
| Creepage Distance | 18020 mm |
| Mass | 1995 kg |

Ordering Data:

| | | | | | |
|------------------------|----------------------------------|----------------------|--------------------|-------------|------|
| BUSHING | | COLOUR AIR INSULATOR | | | |
| IZSC902550-BAA / -DAA | | BROWN / GREY | | | |
| OUTER TERMINAL | | | | | |
| | | Max. Rated H2 | D2 | | |
| | | Current (A) | (mm) | | |
| LF170 073-A | Al | 2500 | 125 | 60 | |
| LF170 073-B | Cu | 4000 | 125 | 60 | |
| LF170 073-G | Cu/Ag | 4000 | 125 | 60 | |
| LF170 073-L | Cu/Sn | 4000 | 125 | 60 | |
| LF170 073-BA | Cu/Ag | 3000 | 125 | 2"-12UN | |
| LF170 073-AA | Cu | 5000 | 125 | 96 | |
| END-SHIELD | | | | | |
| LF170 046-V | EPOXY INSULATED | | | | |
| LF170 046-VP | INSULATED WITH 3 mm PRESSBOARD | | | | |
| DRAW ROD SYSTEM | | | | | |
| LF170 059 | LOWER DRAW ROD WITH NI=4 OR NI=6 | | | | |
| LF170 057 | UPPER DRAW ROD | | | | |
| INNER TERMINAL | | | | | |
| | D3 | D9 | Cond.area | Current (A) | |
| | (mm) | (mm) | (mm ²) | IEC | IEEE |
| LF170 056-E | 0 *) | 45 | - | - | - |
| LF170 056-D | 40 | 45 | 600 | 1600 | 1360 |

*) WITH PILOT HOLE D=5



NI=Number of holes M12, equipped with thread insert with screw lock, depth 20, for cable lugs.

ABB Lubika, Sweden

| | | | |
|-----|--------|-------|------------|
| No. | Um/Uy | kV Ir | A 50/60 Hz |
| BL | kV SIL | kV AC | kV |
| M | kg L | mm | ° |
| C1 | pF | Tan δ | x |
| C2 | pF | Tan δ | x |

| | | | | | | | | |
|-------------|----------------|-------------------------|------------------------|---------|------------------------|-------------|------------|-----|
| Prepared | Kalaivanan R | 2017-07-19 | Responsible department | PGCO/BK | Title | | | |
| Modified by | Kalaivanan R | 2017-07-21 | Take over department | | GOE 1675-1300-2500-0,3 | | | |
| Approved by | Natalia Gutman | 2017-07-21 | Used in product | | GOE 1675-1300-2500-0,3 | Language | 82 | |
| Revision | J | Drawing display updated | | | Order | | Sheet no. | |
| | | | | | Document no. | 2751369-323 | No. Shits. | (1) |