



## Contact us

ABB Oy

Muuttitie 2A 65320

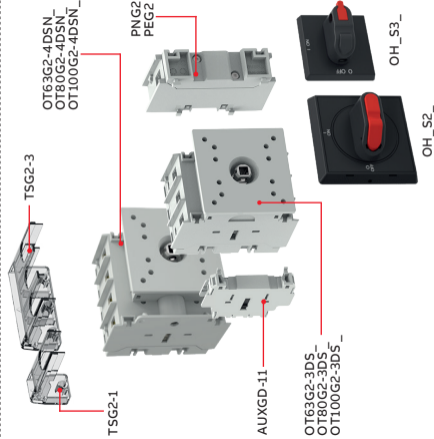
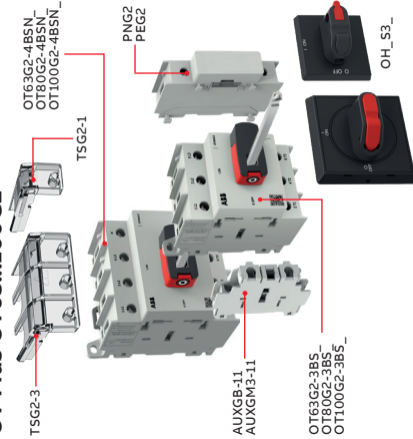
Vaasa, Finland

[abb.com/lowvoltage](http://abb.com/lowvoltage)

© Copyright 2025 ABB. All rights reserved.  
Specifications subject to change without notice.

34OT\_G2-34 rev. C / 15CC301134M0201 # 04.04.2025

## OT Plus OT63...100G2-



## Mounting

Ø 4.5mm

0.18 in

IEC60715

1 Nm

9 lb.in

M4

15...27 mm

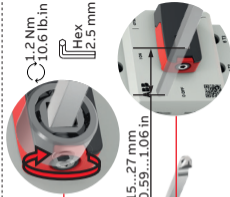
0.59...1.06 in

POZIDRIV

M5 Form 2

2 Nm

18 lb.in



## Padlock

Ø5...6 mm  
0.20...0.23 in



OFF

## Adjustable neutral pole timing



ON



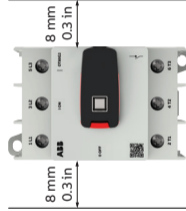
2 Simultaneous (default)

1

2 Early-make Late-break

1

## Clearances per UL60947-4-1



## Wire type 1 Wire 2 Wire Stripping length length torque

Class 5-Flexible 1.5-35 1.5-16

Class 2-Stranded 1.5-35 1.5-16

Class 6-Very flexible with ferrule 1.5-4 1.5-4

Class 1-Solid 1.5-6 1.5-6

UL - CU wire size 16-2 16-8 (AWG)



Warning! Hazardous voltage! Installation by person with electrotechnical expertise only.

