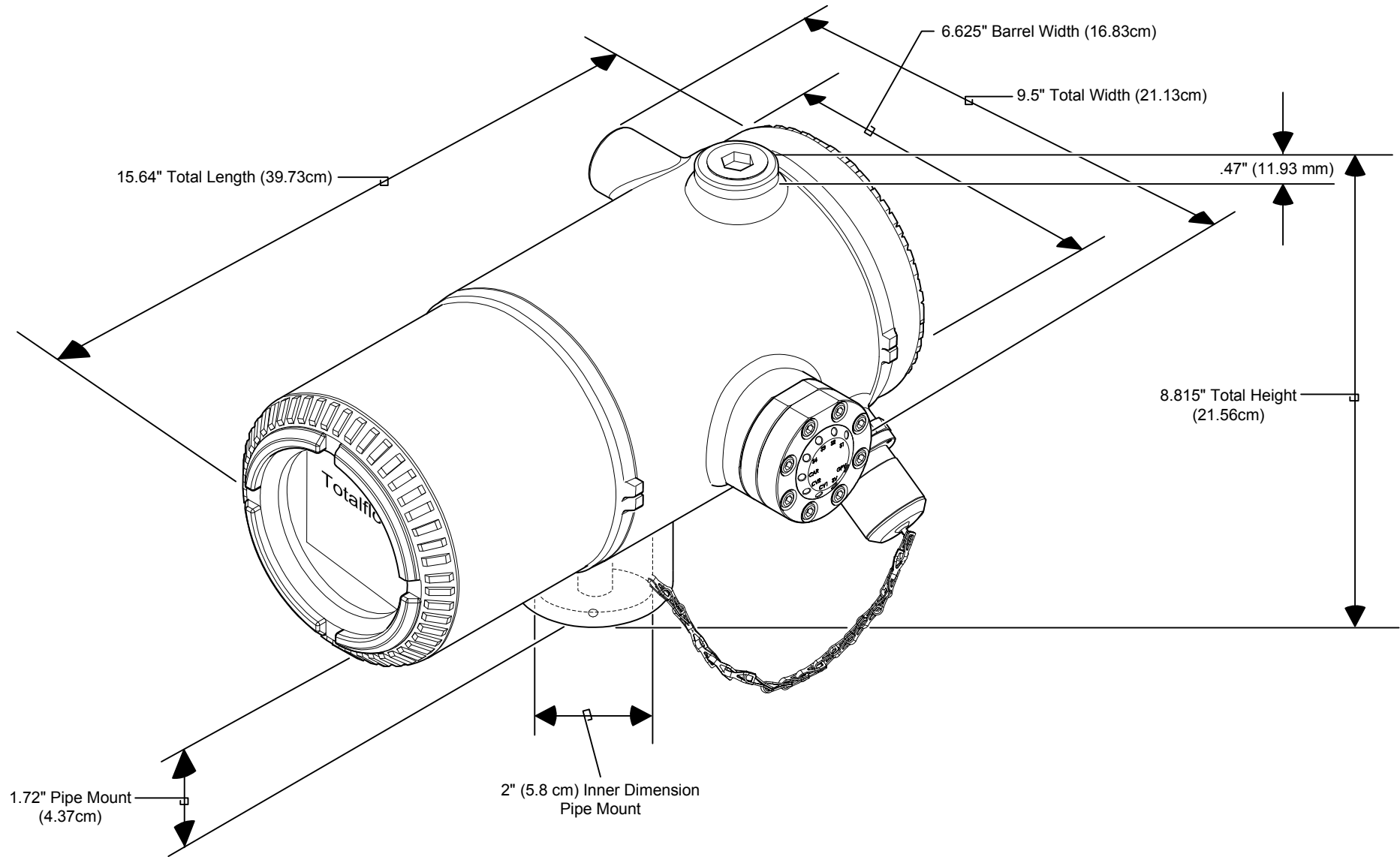



NOTES:

1. Prior to any installation in a classified hazardous location, verify installation methods by the Control Drawing referenced on the product's name tag.



REF: N/A

 TOTALFLOW Products	ACTION	DOC TYPE	TITLE	DWG NO.	REV	SHEET
	L17697	UD	NGC GENERAL MEASUREMENTS	2102392	AA	1 OF 1