

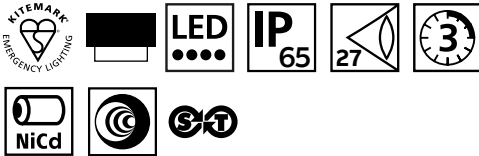
Weatherforce

Practical & durable



Practical, robust double sided exit sign

- High grade polycarbonate enclosure with fixed legends
- Semi-recessing accessory available
- Complies to IEC 60598.2.22
- Cast aluminum base



Exit sign

Order code	Description	Input voltage	Lamp type	Lamp output (lm)	Power consumption (VA/W)	Operation / duration (hrs)	Environment temp. (°C)	Weight (kg)
CTWWA3LS1X	LED 2W M3 W/FORCE WHT/NO DIFF CT	220-240 AC 50/60Hz	1 x LED 2W	207	6.1 / 3.9	3	0-30	1.5
LTCWWA1LS1X	LED 2W LTC W/FORCE WHT/NO DIFF LTC	220-240AC 50/60Hz	1 x LED 2W		4.6 / 4.4	230V	0-40	1.3
STWWA3LS1X	LED 2W M3 W/FORCE WHT/NO DIFF SLFTST	220-240 AC 50/60Hz	1 x LED 2W		6.1 / 3.9	3	0-30	1.5
WWA1LS1X	LED 2W HF W/FORCE WHT/NO DIFF	110-230 AC/DC 0-60Hz	1 x LED 2W		3.4 / 3.2	230V	0-40	1.2
WWA8LS1X	LED 1W 24-50VACDC W/FORCE WHT/NO DIFF	24-50 AC/DC 0-60Hz	1 x LED 1W		3.4 / 2.1	*CB	0-40	1.2

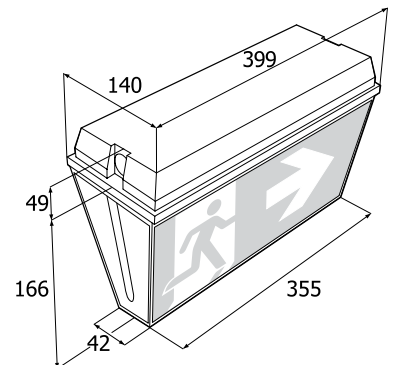
*Central Battery

Legends

ISO7010		
Part no.	Description	Pictogram
XEN2/2DV32	DV COVER 7010 ARR DN EA SIDE	
XEN3/6DV32	DV COVER 7010 ARR L 1-S, RT 2-S	
XEN5/5DV32	DV COVER 7010 ARR UP EA SIDE	

Euro		
Part no.	Description	Pictogram
XE02/2DV32	EURO PICT DV ARR DOWN/DOWN D/S	
XE03/6DV32	EURO PICT DV ARR LEFT/RGT D/S	
XE05/5DV32	EURO PICT DV ARR UP/UP D/S	
XE06/0DV32	EURO PICT DV ARR RIGHT ONE SIDE ONLY	

Arabic		
Part no.	Description	Pictogram
XB10DV32	DV LEG EXIT EN ARBC - BLNK GRN OVER	
XB11DV32	DV COVER EXIT-EN ARABIC DSD	
XB23DV32	DV DIFF EXIT EN-ARB AR L/R OVER	
XB50DV32	DV LEG EXIT EN ARBC - UP-BLNK	
XB66DV32	DV DIFF EXIT EN-ARB ARR DN D/S	



Ceiling cutout 390 mm x 130 mm when semi-recessing.

Accessories

Order code	Description
BBZ	Semi-recessing bezel kit in white