



Klas Bengtsson, Product Manager, IRB 460

IRB 460

The compact, high speed palletizer

IRB 460

Overview of Main features



- Fastest palletizing robot in its class
- Compact to fit into restricted areas and tight cells
- Integrated process cabling
- ABB grippers and robot are fully supported in ABB palletizing software
- The 4-axis design is optimized for palletizing
 - Shorter cycle time
 - Lower weight of robot arm
 - Higher payload
 - Lower complexity

IRB 460

Focus Applications



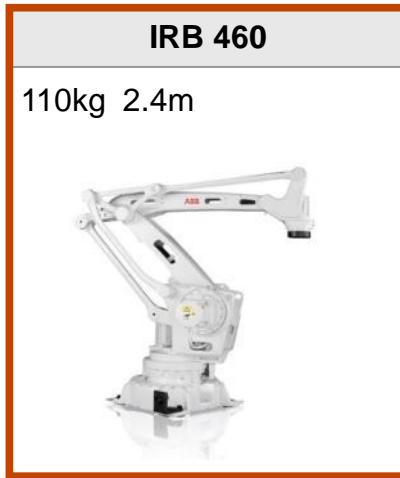
- High speed and robust – designed for high speed bag palletizing



- Compact - designed for end of line palletizing

IRB 460 High speed palletizer

Smallest member in the palletizing family



	IRB 460	IRB 660	IRB 760
Payload (kg)	110	180/250	450
Weight (kg)	925	1,750	2,310
Repeatability (mm)	0.2	0.05	0.03
Power consumption (kW)	3.67	3.17/2.36	2.75
Protection	IP 67	IP 67	IP 67
Temperature range	0-45°C	0-50°C	0-45°C
Cycles/hr with 60 kg payload	2,190	1,570/1360	1,500

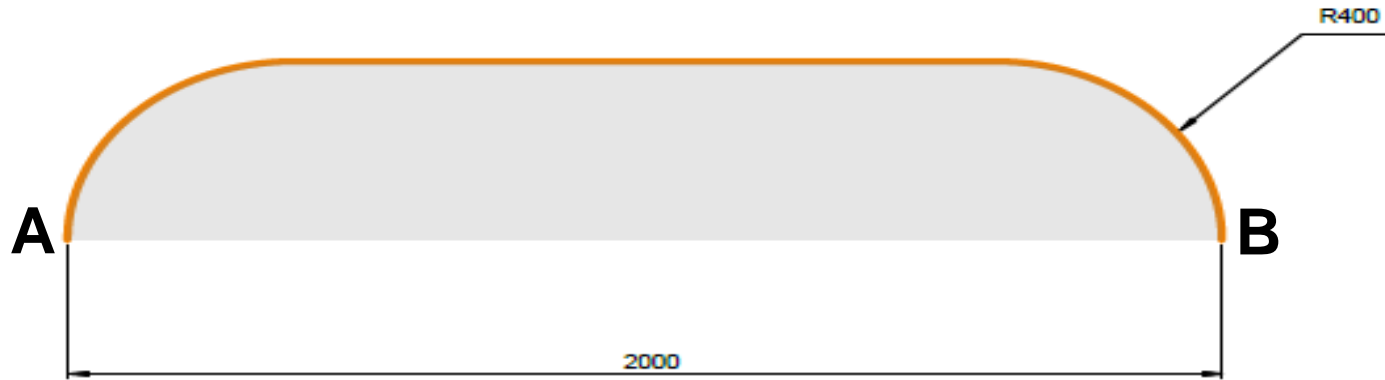
Key data



- Payload: 110 kg
- Reach: 2,400 mm (to center of axis 4)
- Height: 1,928 mm
- Foot print: 1,007 x 720 mm
- Weight: 925 kg
- Protection: IP67

IRB 460

The world's FASTEST palletizer

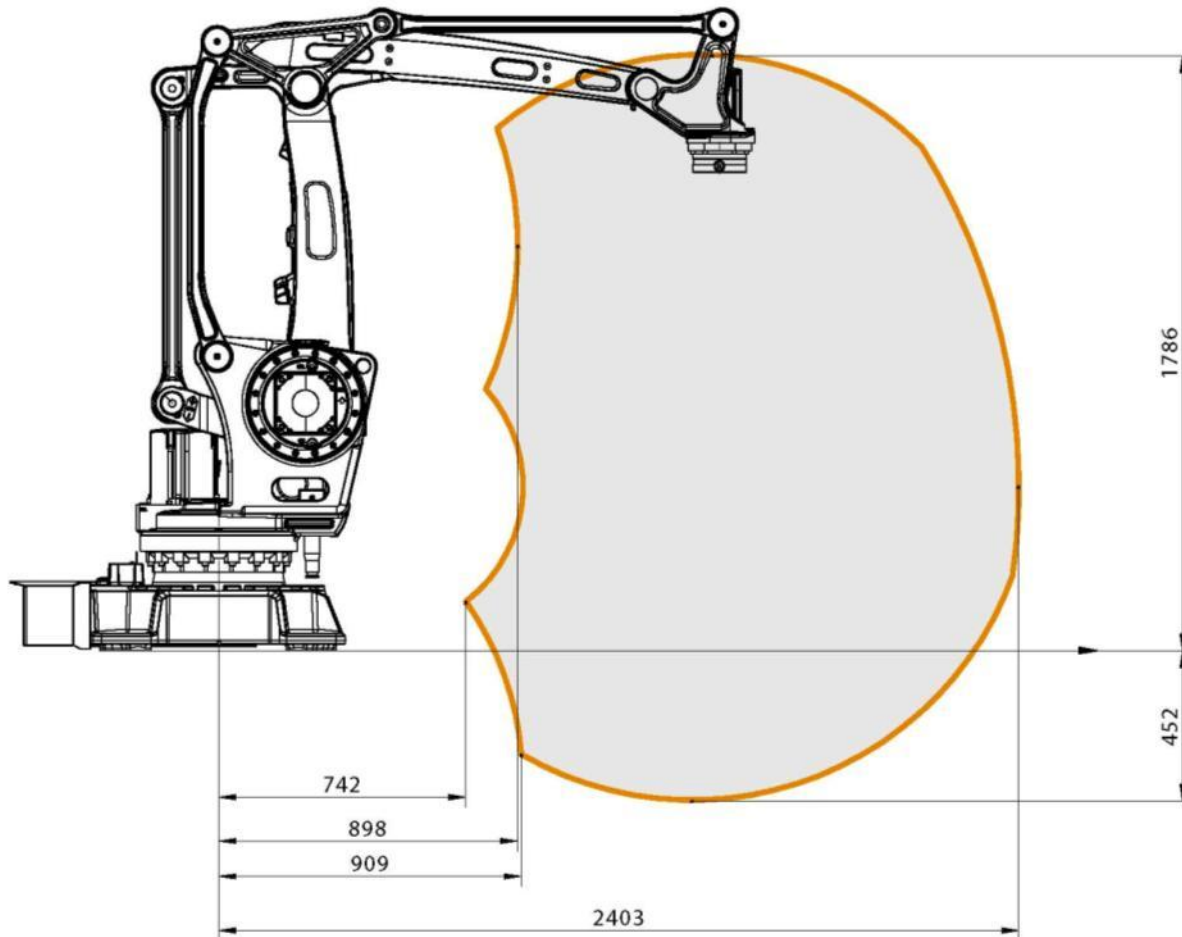


A well defined cycle - the industry benchmark.

From A to B and back to A

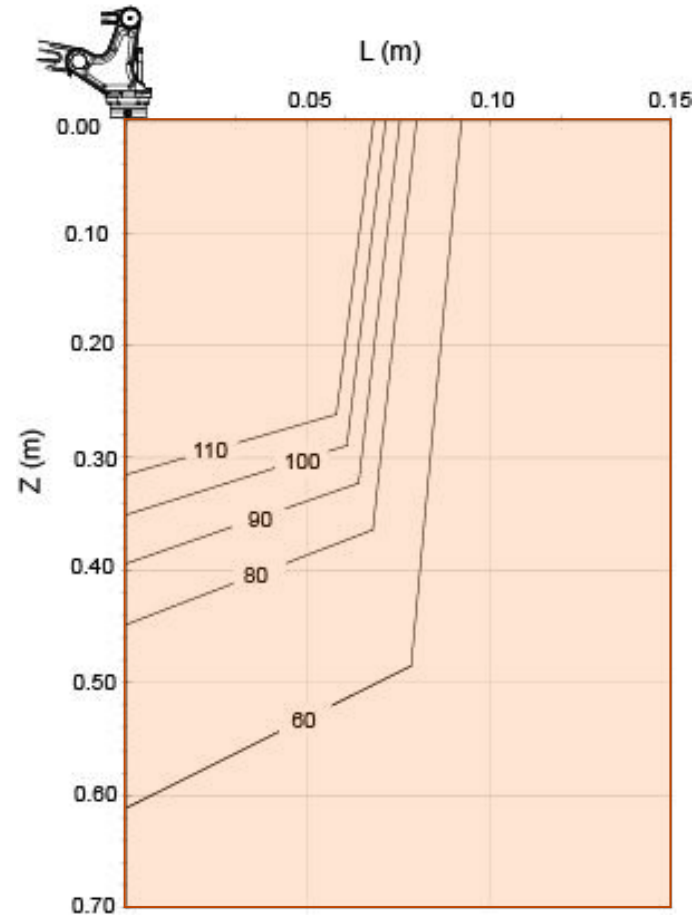
Payload	60 kg	110 kg
Cycles per hour	2,190	2,040

Working Range



IRB 460-110/2.4

Load diagram



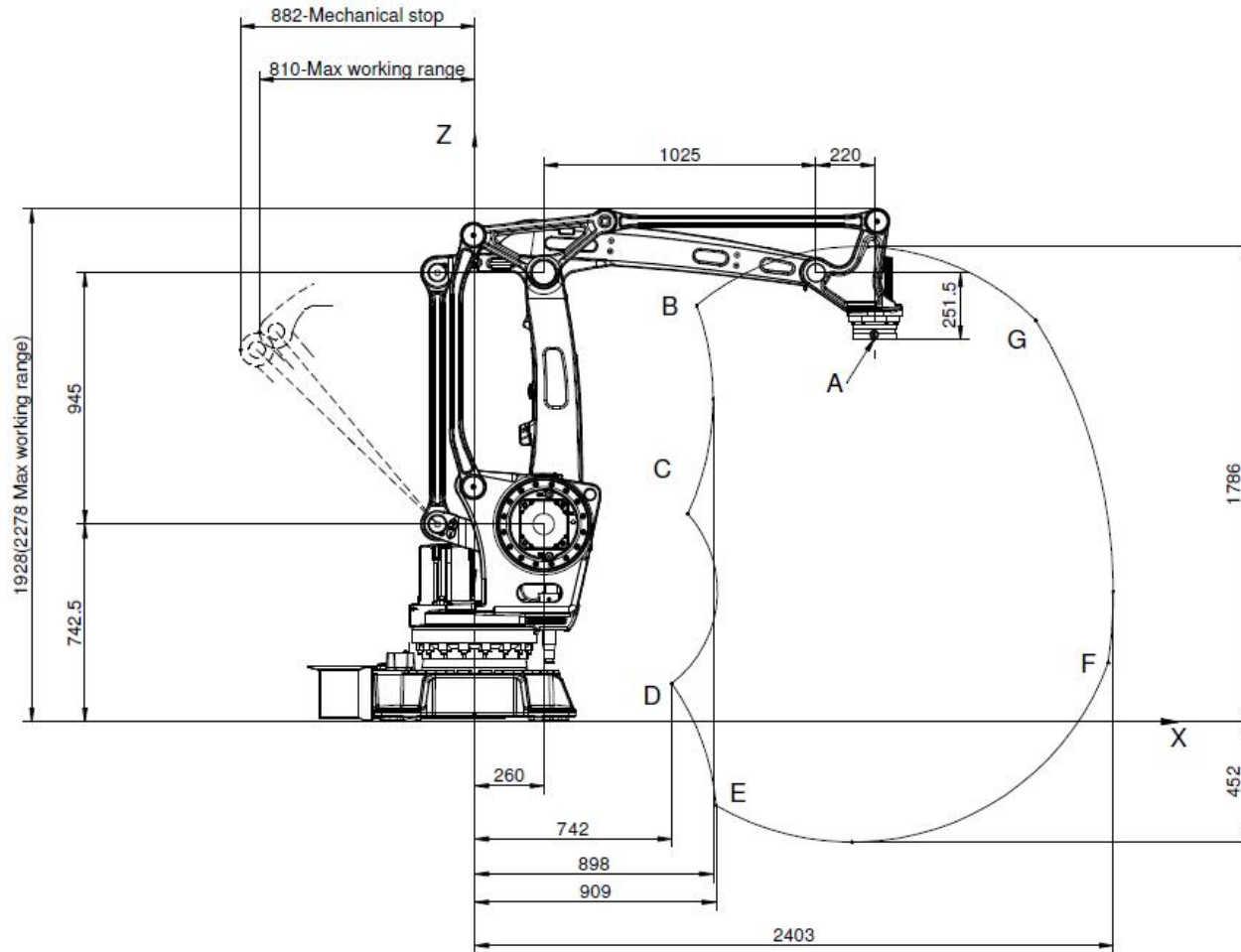
Axis work range and speed



Axis	Axis range	Axis speed
Axis 1	+165° to -165°	145 °/s
Axis 2	+85° to -40°	110 °/s
Axis 3	+120° to -40°	120 °/s
Axis 6	+300° to -300°	400 °/s

IRB 460-110/2.4

Key dimensions



IRB 460

Mechanical mounting interfaces



Additional options



- Color
- Media and communications
 - CP/CS + ½” air (16 bar)
 - CP/CS + DeviceNet or PROFIBUS + ½” air (16 bar)
- Connector kits
 - On foot
 - On upper arm
- Work range limit axis 1
- Safety lamp
- Fork lift device
- RoboCare
- Warranty

Power and productivity
for a better world™

