

14

13

12

11

CIRCUIT BREAKER TERMINAL LUG DATA			
CIRCUIT BREAKER CAT NO. PREFIX	AMPERE RATING	LUG TYPE	WIRE SIZE (AWG\KCMIL)
THQC,THHQC,TXQC THQE,TQCY100	100A	TQAL4	(1) #4-1/0 CU-AL
		TQAL3	(1) #14-6 CU (1) #12-2 AL

FIELD INSTALLABLE NEUTRAL ASSEMBLY AND GROUND KIT			
CAT NO. PREFIX	TYPE	AMPERE RATING	WIRE SIZE (AWG\KCMIL)
TGL1	GND KIT	70-125A	(4) #14-8 CU (4) #12-8 AL (3) #14-4 CU (3) #6-4 AL
TNIA 100	NEUTRAL ASM	100A	(1) #14-1/0 CU (1) #12-1/0 AL

KNOCKOUTS				
SYMBOLS	CONDUIT SIZE		DIAMETER	
	IN	MM	IN	MM
A	2	51	2 1/2	64
B	1 1/2	38	2	51
C	1 1/4	32	1 3/4	45
D	1	25	1 3/8	35
E	3/4	19	1 1/8	29
F	1/2	13	7/8	22
G	3/8	9	3/8	9
H	9/32	7	9/32	7

FOR USE WITH 15-100A
ABB TYPE
THQC,THHQC, TXQC
THQE & TQCY100
DEVICES

D

D

C

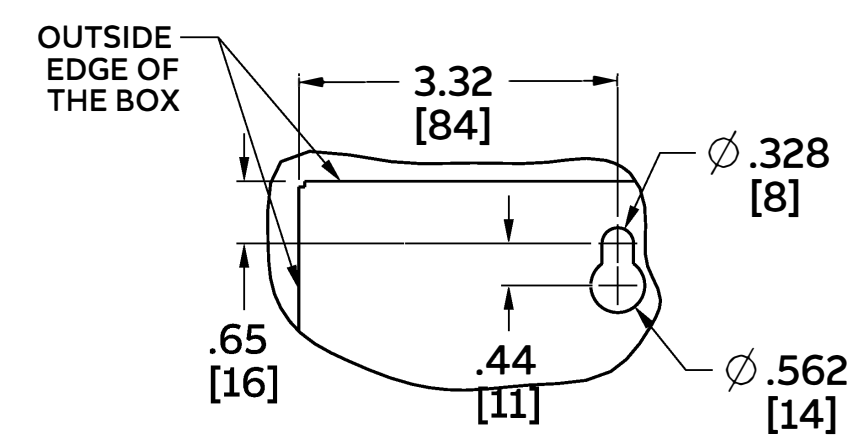
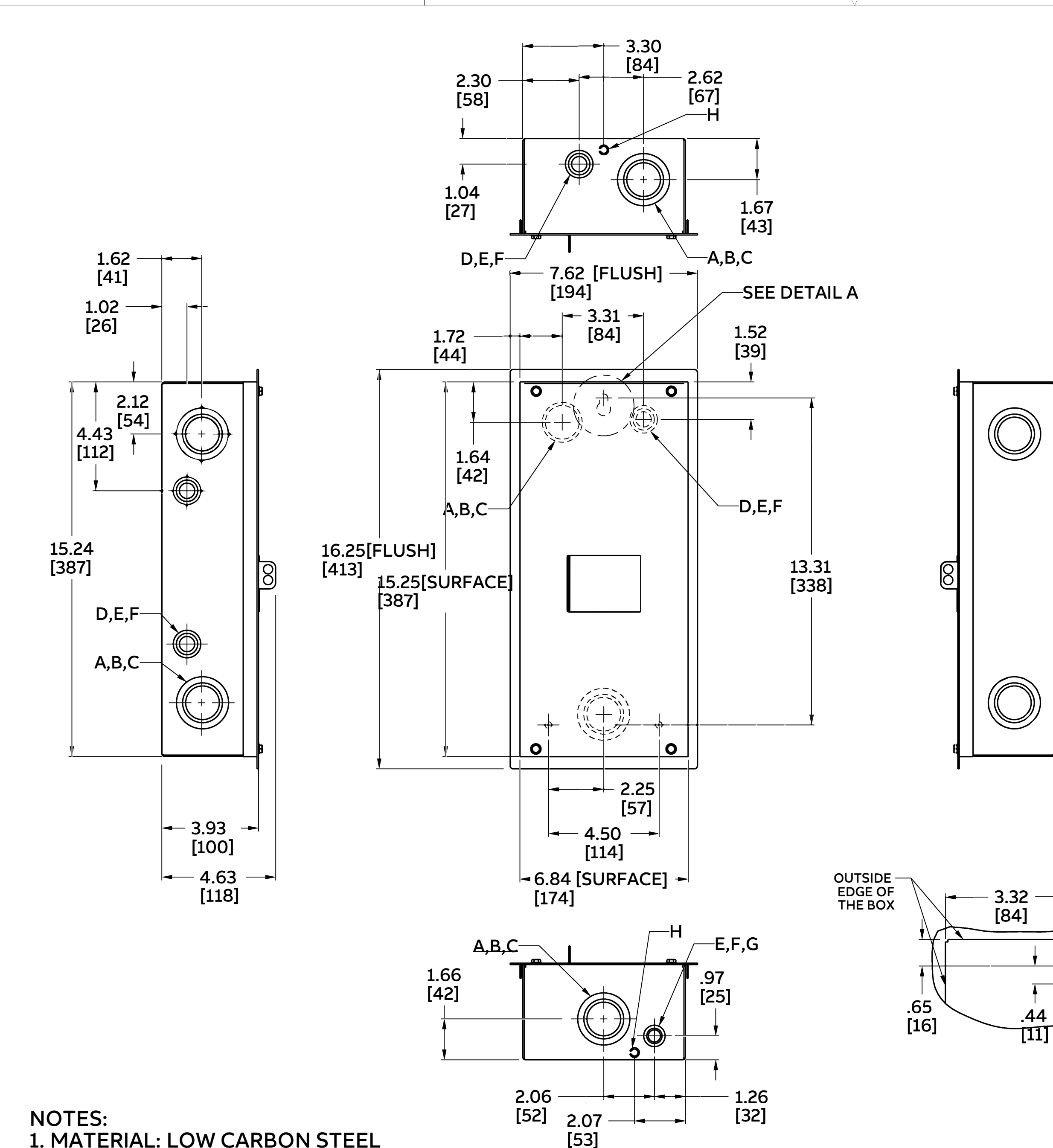
C

B

B

A

A



- NOTES:
1. MATERIAL: LOW CARBON STEEL
 2. FINISH: ELECTROCOAT ENAMEL, GRAY
 3. AGENCY APPROVAL: cULus LISTED -FILE E11592
 4. SUITABLE FOR USE AS SERVICE EQUIPMENT WHEN NEUTRAL ASSEMBLY IS INSTALLED
 5. THE SHORT CIRCUIT RATING OF THIS ENCLOSED CIRCUIT BREAKER IS EQUAL TO THE INTERRUPTING RATING, AT THE SUPPLY VOLTAGE MARKED ON THE CIRCUIT BREAKER INSTALLED
 6. CONSULT BUYLOG FOR ALTERNATIVE LUGS

DUAL DIMENSIONS INCHES
[MILLIMETERS]

THIRD ANGLE	SHEET#	DWG NO.	DATE	REV
	1 of 1	139C5651SH1	05-Feb-23	B

ABB

OUTLINE DRAWING - NEMA TYPE 1 ENCLOSURE
TQC100F, TQC100S

14

13

12

11