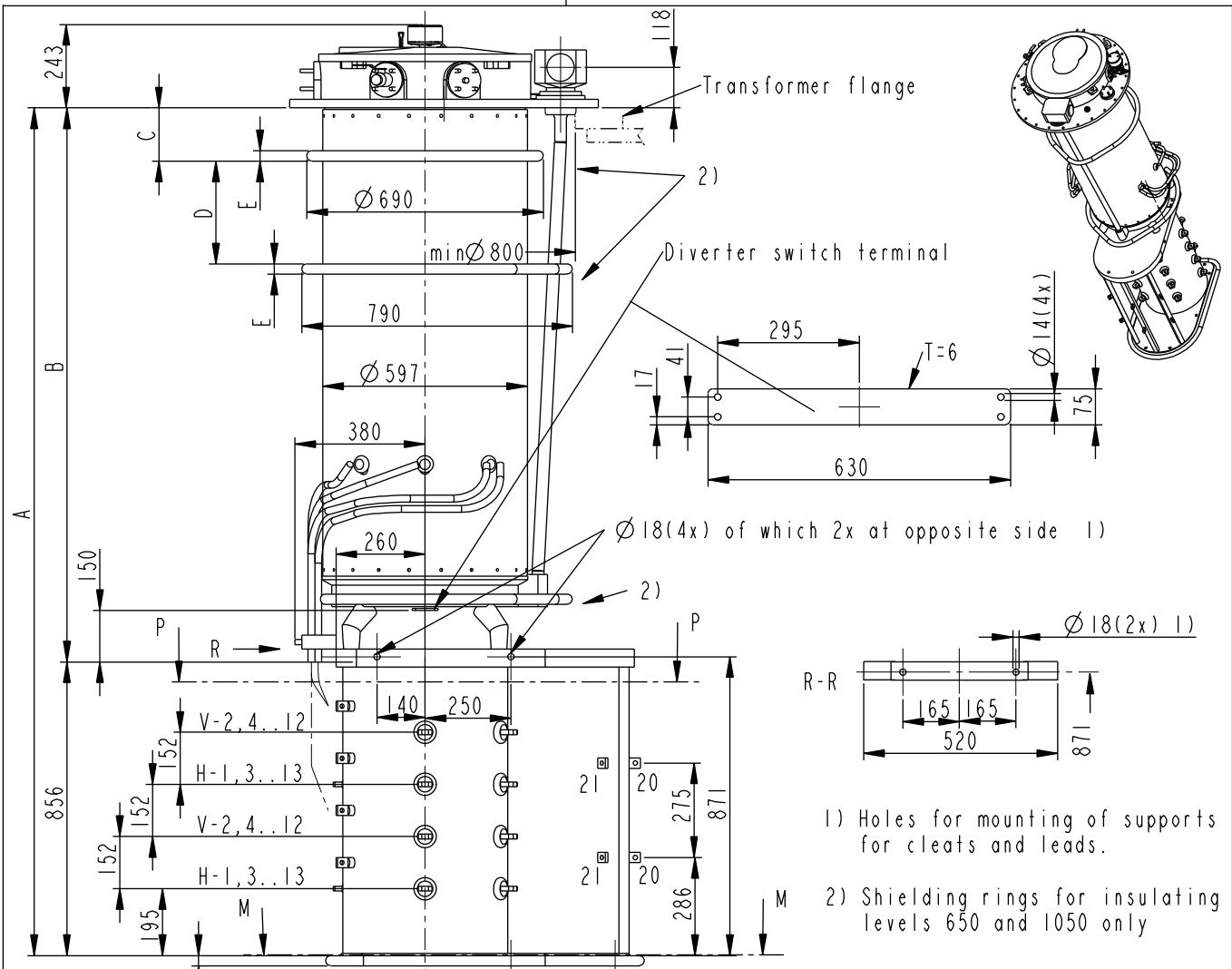


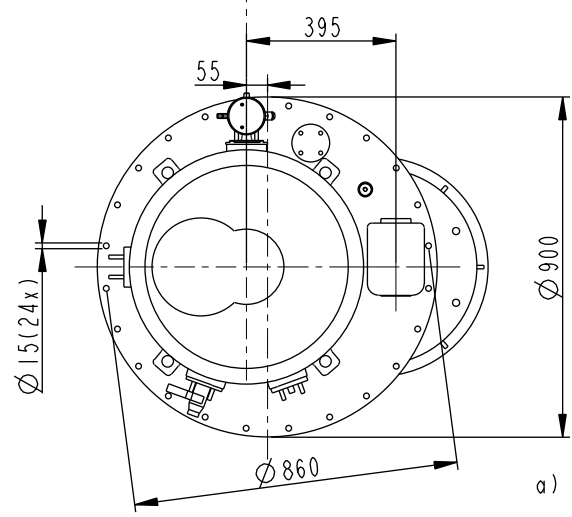
We reserve all rights in this document and in the information contained therein. Reproduction, use or disclosure to third parties without express authority is strictly forbidden. ©ABB



- 1) Holes for mounting of supports for cleats and leads.
- 2) Shielding rings for insulating levels 650 and 1050 only

INSULATION LEVEL kV	380	650	1050
A	2271 a)	2471 a)	2671 a)
B	1415 a)	1615 a)	1815 a)
C	-	155 a)	158 a)
D	-	300	494
E	-	30	36
H	-	930	936
J	-	290	293
K	-	580	586

a) For mounting on active part use A+85, B+85 and C+85 (See also Drawing 54920086-1)

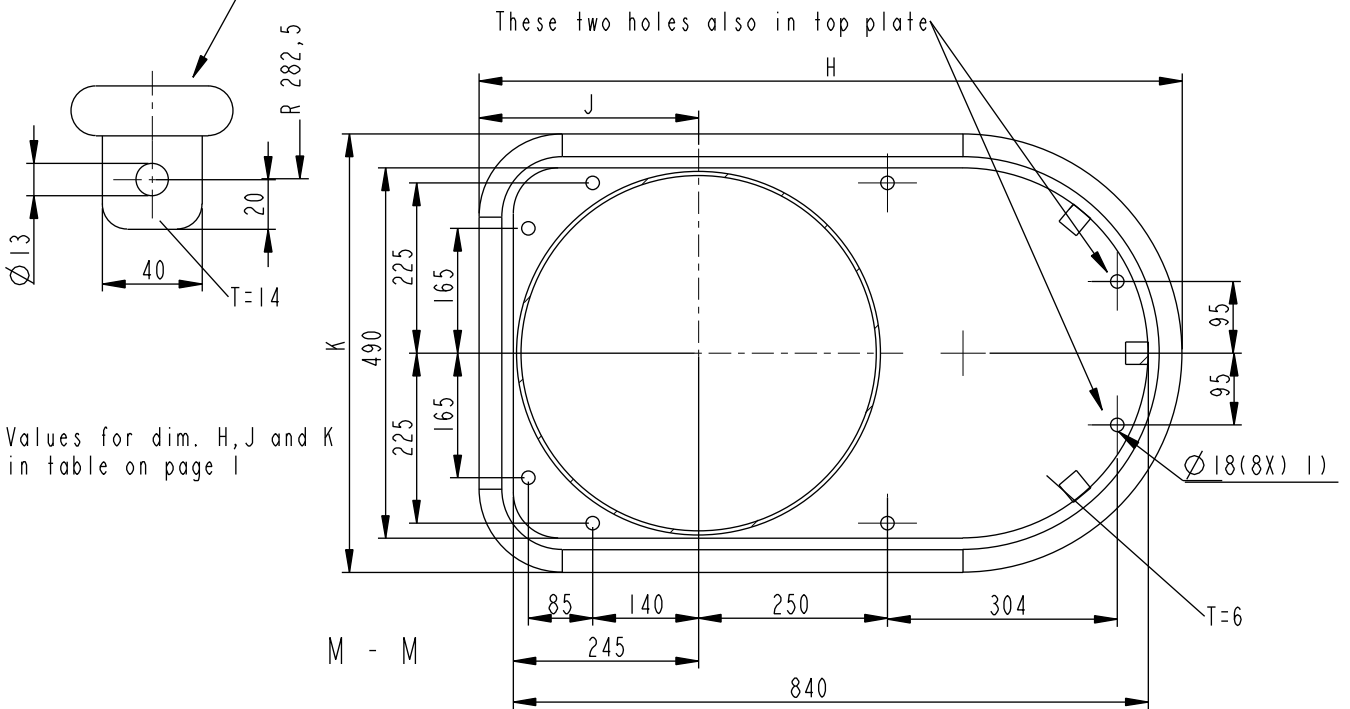
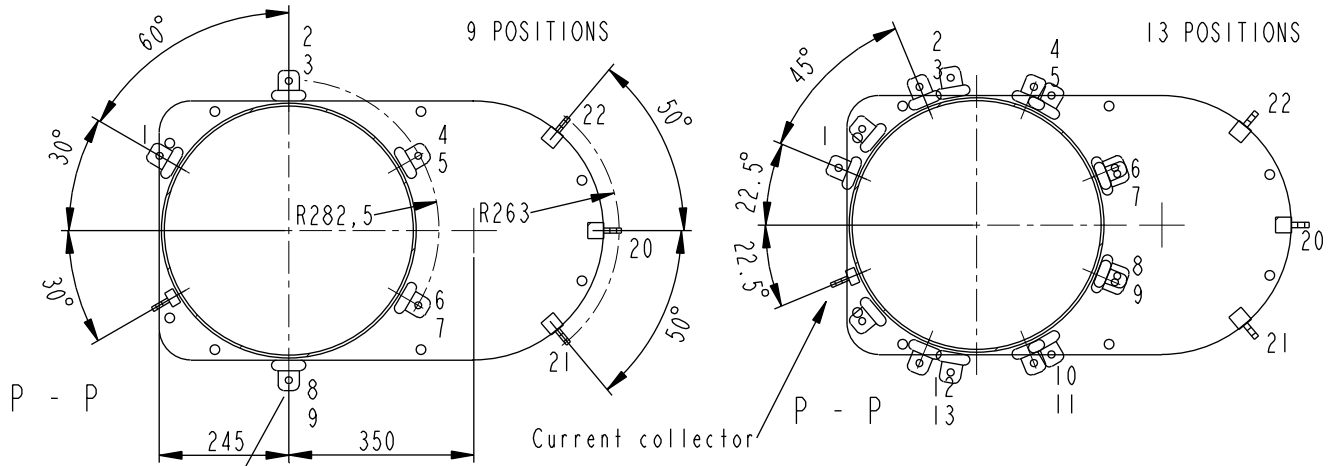


Based on	Reg. No.	Title	
Prepared B Hultgren 96-05-28	Responsible department COM/TK	TAP-CHANGER UCLR AND UCLD	
Approved M Eriksson	Take over department	UCL.B(2PHASE) XXXX/900/III	
Revision Rev 4 06-10-06	Database DIMENSION_DWGS	9,13 pos	
ABB Components		Document No.	54920085-23

Inspection engineering review
 Design engineering review
 Production engineering review

Language
en
Page
1(2)

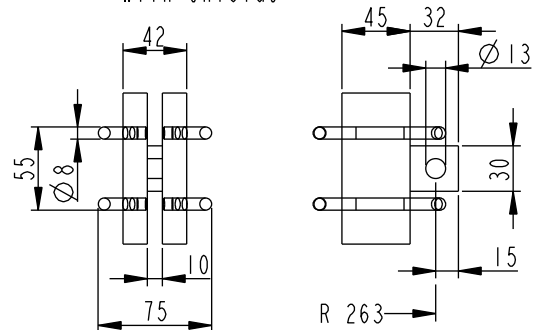
We reserve all rights in this document and in the information contained therein. Reproduction, use or disclosure to third parties without express authority is strictly forbidden. ©ABB



Values for dim. H, J and K in table on page 1

1) Holes for mounting of supports for cleats and leads

Tap selector contact 20,21,22 with shields



ADDITIONAL DRAWINGS:	
Connection Diagrams: See Technical Guide UC	
Mounting on active part: 54920086-1	
Accessories: 54920086-2	
Motor Drive BUL: 54830001-1	
Motor Drive BUE: 54830001-2 or -3	
External Drive Shaft: 54920083-4	
Pressure Relay: 54920083-2	
Bevel Gear: 54920083-1	

Based on	Reg. No.	Title	
Prepared B Hultgren 96-05-28	Responsible department COM/TK	TAP-CHANGER UCLR AND UCLD UCL.B(2PHASE) XXXX/900/III	Language en
Approved M Eriksson	Take over department		
Revision Rev.4 06-10-06	Database DIMENSION_DWGS		Page 2(2)
		Document No.	54920085-23

Inspection engineering review

Production engineering review

Design engineering review