

# Navigator 550

## Sodium wet-section



Solution bottles hazard warning and identification labels

**Measurement made easy**

Navigator 550  
sodium wet-section

## 1 Introduction

These procedures must be carried out by a trained technician.

### Tools required

- Damp cloth for cleaning

## 2 For more information

Further information is available from:  
[www.abb.com/analytical](http://www.abb.com/analytical)

or by scanning these codes:



Sales



Service

## 3 Safety

### Warning.

These procedures must be carried out by a trained technician.

### CHEMICAL

- Ensure personal protective equipment (PPE) such as **gloves** and **eye protection** are worn during any maintenance.
- Observe all health and safety procedures for handling chemicals.
- To familiarize yourself with handling precautions, dangers and emergency procedures, always review the Material Safety Data Sheets prior to handling containers, reservoirs, and delivery systems that contain chemical reagents and standards.
- Take care if cleaning any spillages and observe all relevant safety instructions. Wipe up any spillages using clean water.
- Perform general cleaning of the wet-section using a damp cloth only – mild detergent can be used as a cleaning aid. Do not use Acetone or any organic solvents.

### ELECTRICAL

- Isolate all high voltage supplies to the transmitter before performing bottle / label replacement procedures.
- The wet-section is vulnerable to electrostatic damage. Wear an anti-static strap or dismantle the wet-section on an anti-static workbench.
- Ensure all electrical connections are kept dry at all times.

### GENERAL

- Shut off the external sample supply to the wet-section before performing replacement procedures. When a procedure is complete, restore power to the transmitter, sample to the wet-section at the correct flow rate. If necessary, calibrate the wet-section – refer to the wet-section Operating Instructions (OI/ASO550-EN) for calibration instructions.
- Dispose of the old components in accordance with the guidelines contained in the Operating instructions (OI/ASO550-EN).

## 4 Solution bottle locations

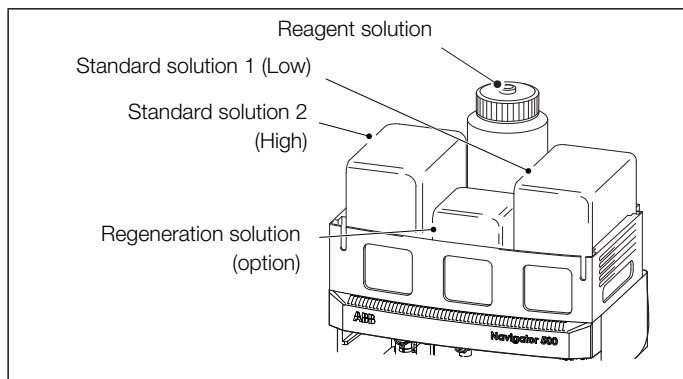


Fig. 4.1 Sodium solution bottle locations

### 4.1 Fixing the identification and hazard warning labels

**Note.** Fix hazard warning and identification labels centrally on each bottle using the dimensions / positions shown in Fig. 4.2, page 3.

Part numbers:

- Sodium calibration solution bottle kit: AW501 070
- Sodium reagent solution bottle kit: AW501 071
- Sodium regeneration solution bottle kit: AW501 072

Referring to Fig. 4.2, page 3:

1. Reagent solution bottle:
  - a. **front face identification label:**  
fix identification label (A) REAGENT SOLUTION
  - b. **front face hazard label (DIPA only):**  
if di-isopropylamine (DIPA) is used as the reagent, fix hazard warning label (B) FLAMMABLE – this warning label is **not** required if ammonia reagent is used
  - c. **left side face hazard label:**  
fix warning label (C) CORROSIVE
  - d. **right side face hazard label:**  
fix warning label (C) TOXIC

2. Standard solution 1 (low) bottle:
  - a. **front face identification label:**  
fix identification label (E) STANDARD SOLUTION 1 (LOW)
3. Standard solution 2 (high) bottle:
  - a. **front face identification label:**  
fix identification label (F) STANDARD SOLUTION 2 (HIGH)
4. Regeneration solution bottle (if fitted):
  - a. **front face identification label:**  
fix identification label (G) REGENERATION SOLUTION
  - b. **front face hazard label:**  
fix warning label (H) CORROSIVE

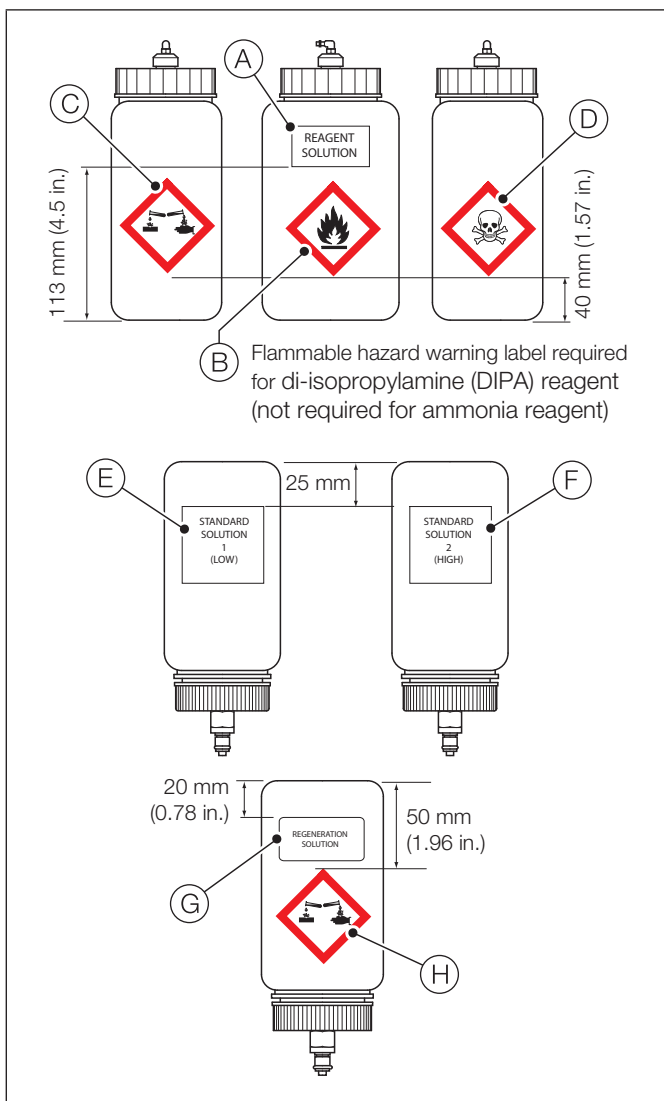


Fig. 4.2 Calibration, reagent and regeneration bottle identification and hazard warning label positions

5. Fill bottles with the correct solutions and make tubing connections as detailed in the Commissioning instructions (CI/ASO550-EN).

---

**ABB Limited**  
**Measurement & Analytics**

Oldends Lane  
Stonehouse  
Gloucestershire  
GL10 3TA  
UK  
Tel: +44 (0)1453 826661  
Fax: +44 (0)1453 829671  
Email: [instrumentation@gb.abb.com](mailto:instrumentation@gb.abb.com)

**ABB Inc.**  
**Measurement & Analytics**

125 E. County Line Road  
Warminster  
PA 18974  
USA  
Tel: +1 215 674 6000  
Fax: +1 215 674 7183

**[abb.com/measurement](http://abb.com/measurement)**



---

We reserve the right to make technical changes or modify the contents of this document without prior notice. With regard to purchase orders, the agreed particulars shall prevail. ABB does not accept any responsibility whatsoever for potential errors or possible lack of information in this document.

We reserve all rights in this document and in the subject matter and illustrations contained therein. Any reproduction, disclosure to third parties or utilization of its contents – in whole or in parts – is forbidden without prior written consent of ABB.

© ABB 2018