

## U Bolt rod clamp (Type E)

Superior strength clamp for a high quality, low resistance connection



The U bolt clamp is designed to provide a corrosion resistant low resistance connection between flat tape or stranded conductor and earth rod or reinforcing bar.

### Features & benefits

- **Made to standard**

- Furse U Bolt Rod Clamps have been suitably tested to:
- Lightning protection product standard IEC/BS EN 62561-1
  - Lightning protection system components (LPSC) Part 1: Requirement for connection components
  - Clamps suitable for electrical installations meet the material requirements of BS 7430

- **Versatile installation**

Available in a range of sizes, helping to secure all variations of flat tape or stranded conductor and earth rod or rebar connections

- **Superior Strength**

Offering a solid, non-permanent connection for smaller scale earthing system installations where periodic connection testing may be required

### Application

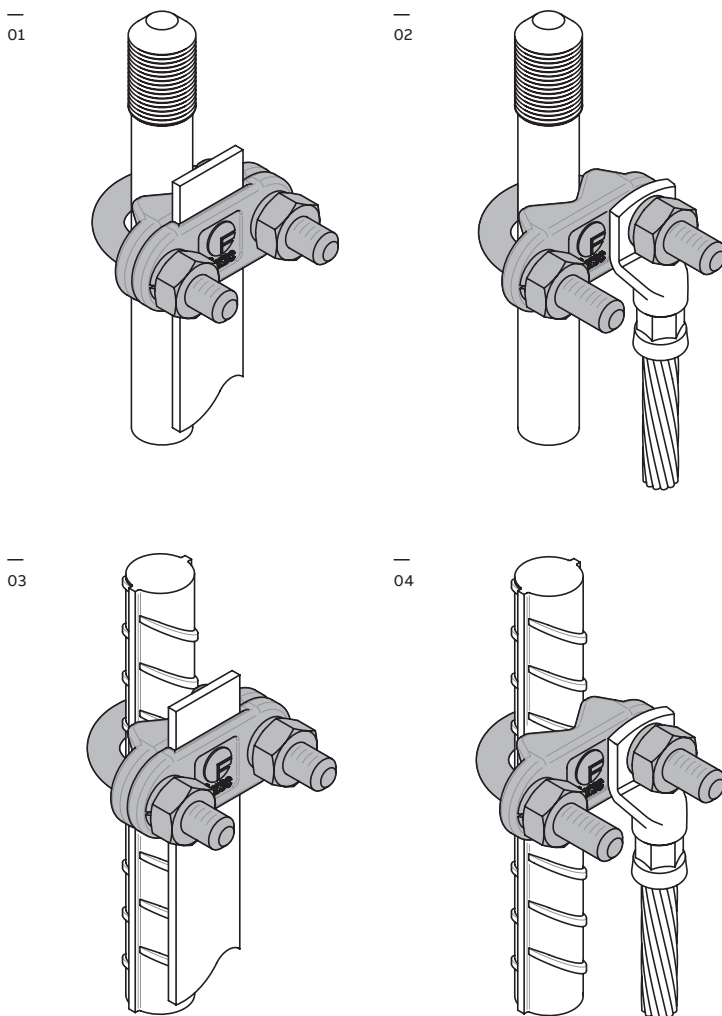
Whether for an electrical installation or a structural lightning protection system, an effective earthing system relies on joints and connections to have good electrical conductivity with high mechanical strength. Poorly chosen or badly installed connections can compromise the safe operation of an earthing system. Where permanent connections are not appropriate, Furse mechanical clamps offer the ideal solution. This U Bolt Rod Clamp is manufactured from high copper alloy, offering excellent mechanical strength, corrosion resistance and conductivity.

**Product information**

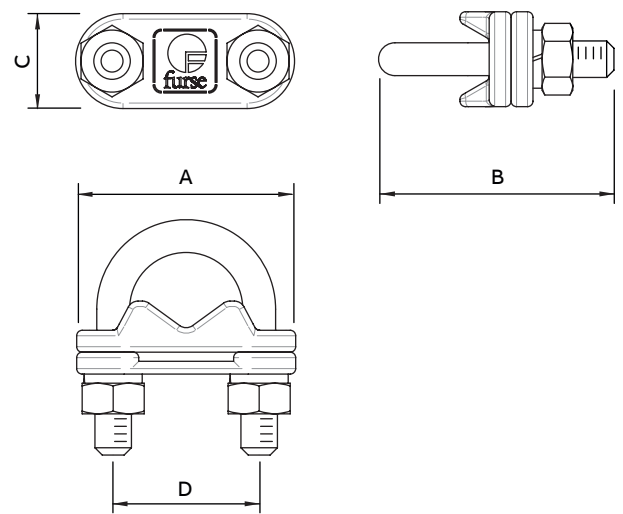
Part no.	ABB order code	'U' bolt material	Nominal rod/rebar diameter (mm)	Tape Width (mm)	Dimensions (mm)				Weight each (kg)	Certification/standards
					A	B	C	D		
CR305	7TCA08321R0012	Copper	Ø 14 - 25	-	60	65	26	40	0.18	● ● ●
CR320	7TCA08321R0015	Copper	Ø 14 - 25	25	60	65	26	40	0.22	● ●
CR325	7TCA08321R0018	Stainless steel	Ø 26 - 40	-	80	84	26	54	0.24	●
CR326	7TCA08321R0020	Stainless steel	Ø 26 - 40	25	80	84	26	54	0.34	● ●
CR330	7TCA08321R0021	Copper	Ø 41 - 50	-	90	90	26	64	0.44	●

Certification / Standards: ● BS 7430 / ● IEC/BS EN 62561-1 Class H / ● UL 467.  
 CR320 & CR326 include additional plate to allow tape to be clamped without drilling.  
 'U' bolt threaded M10.

**Typical installation**



**Dimensions**



**Installation tools required:**  
 Spanner size 17 mm.



- 01 - Termination or through connection of tape to earth rod via clamping plate. CR320 or CR326 only.
- 02 - Termination of lugged cable or tape to earth rod.
- 03 - Termination or through connection of tape to reinforcing bar via clamping plate. CR320 or CR326 only.
- 04 - Termination of lugged cable or tape to reinforcing bar.

ABB Limited  
 Furse  
 Wilford Road  
 Nottingham  
 NG2 1EB UK  
 Tel: +44 (0) 115 964 3700

[www.furse.com](http://www.furse.com)

We reserve the right to make technical changes or modify the contents of this document without prior notice. With regard to purchase orders, the agreed particulars shall prevail. ABB AG does not accept any responsibility whatsoever for potential errors or possible lack of information in this document.

We reserve all rights in this document and in the subject matter and illustrations contained therein. Any reproduction, disclosure to third parties or utilisation of its contents – in whole or in parts – is forbidden without prior written consent of ABB AG. Copyright © 2020 ABB. All rights reserved.