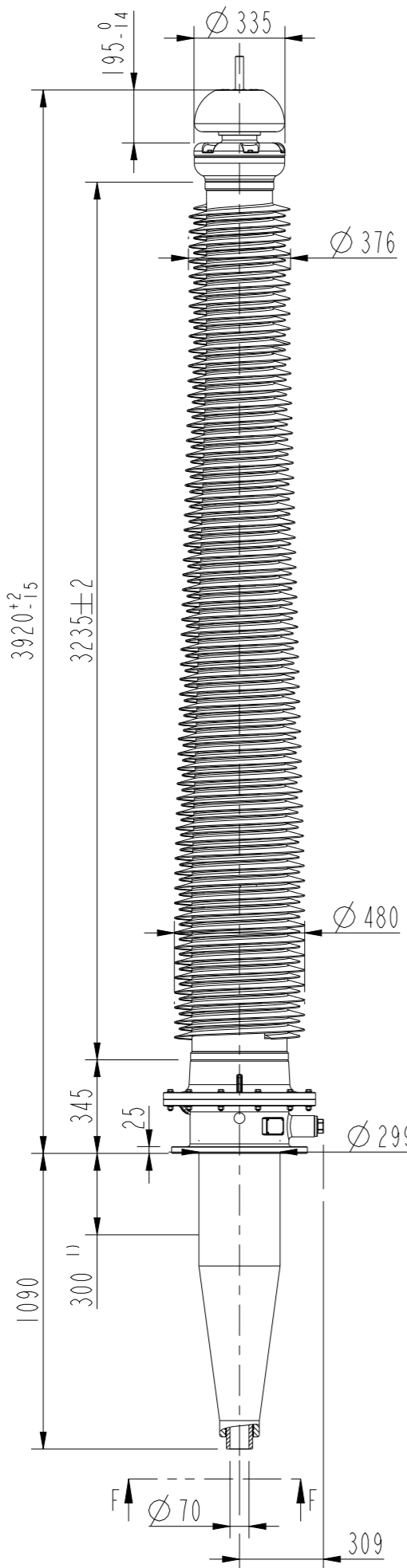


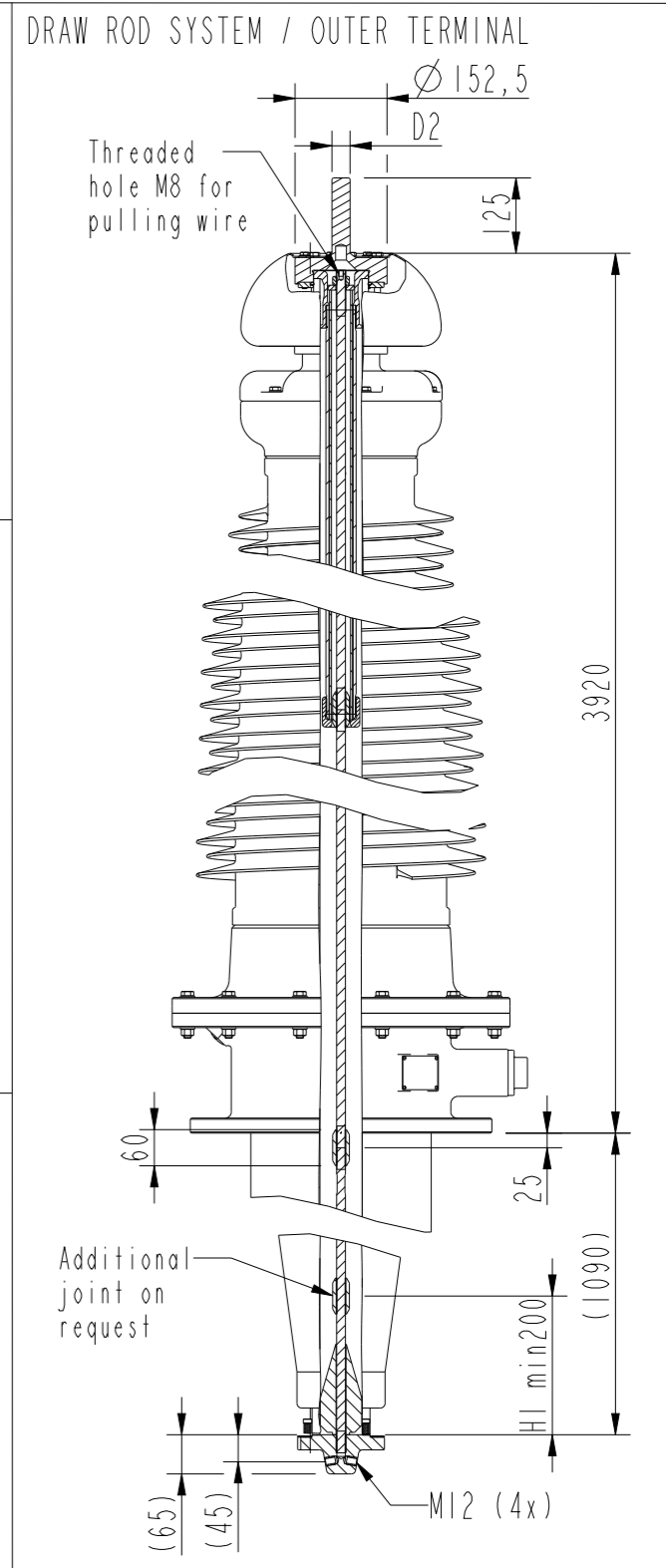
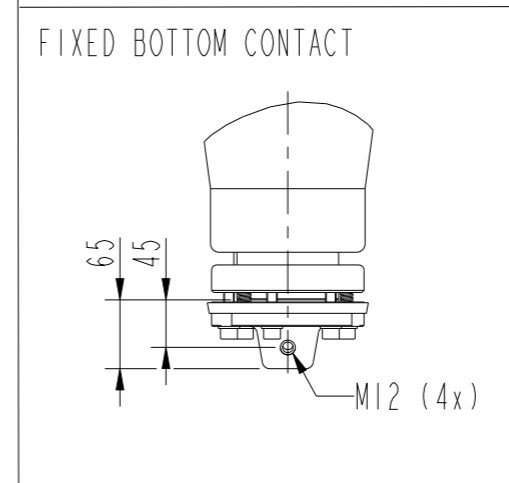
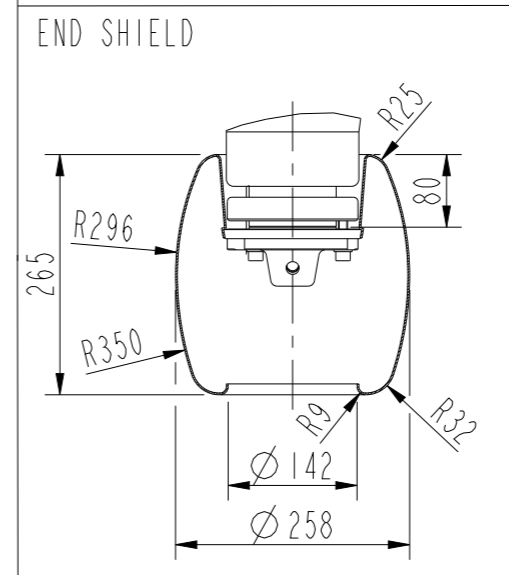
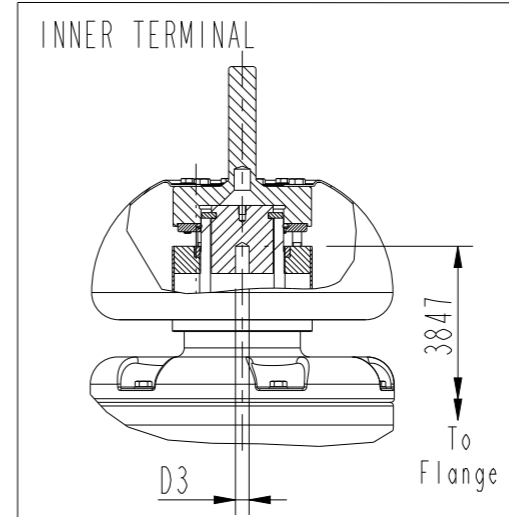
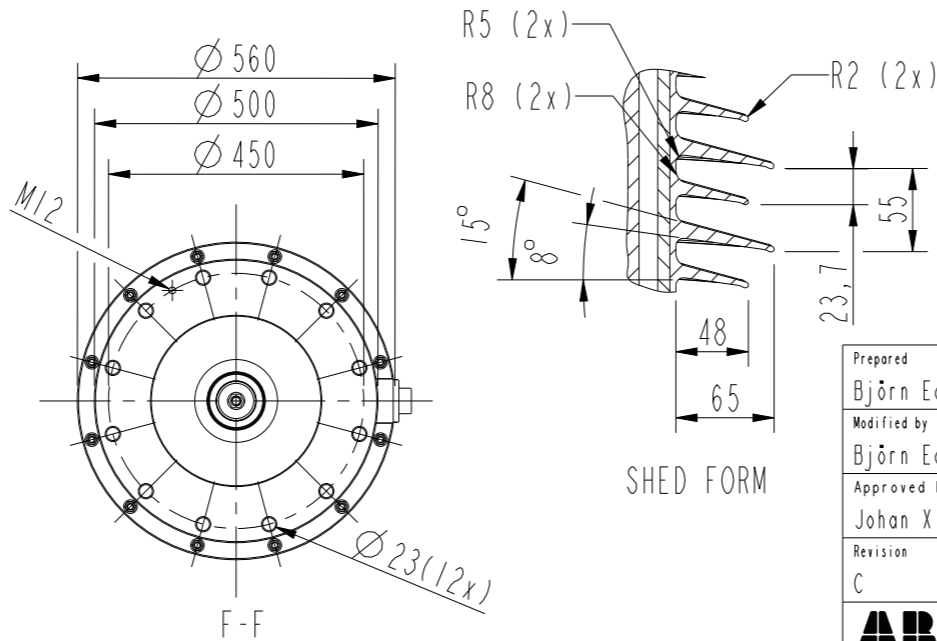
This document is issued by means of a computerized system. The digitally stored original is electronically approved. The approved document has a date entered in the 'Approved'-field. A manual signature is not required.

The information contained in this document has to be kept strictly confidential. Any unauthorized use, reproduction, distribution or disclosure to third parties are strictly forbidden. ABB reserves all rights regarding Intellectual Property Rights. © Copyright 2013 ABB. All rights reserved.



Bushings Data:		
Rated Voltage	420	kV
Phase-to-earth Voltage	243	kV
Dry Lightning Impulse 1,2/50µs	1550	kV
Wet Switching Impulse	1050	kV
Wet Power Frequency AC	n.a.	kV
Routine test Imin dry 50Hz	693	kV
Rated Current	2500	A
Creepage Distance, nominal	14322	mm
Creepage Distance, minimum	13741	mm
Mass, Bushing	590	kg

Ordering Data:		
<b>BUSHING</b>		<b>AIR INSULATOR COLOUR/TYPE</b>
IZSC901420 -CCA	Test tap	Composite
IZSC901420 -CDA	Voltage tap 6kV	Composite
<b>OUTER TERMINAL</b>		<b>MATERIAL</b>
IZSC999001-AAA		Al 30
IZSC999001-AAB		Al 60
IZSC999001-AAC		Cu 30
IZSC999001-AAD		Cu 40
<b>DRAW ROD SYSTEM</b>		
IZSC999006	Lower draw rod	
IZSC999007	Upper draw rod	
<b>INNER TERMINAL</b>		<b>D3 (mm)</b>
IZSC999005-AAA		15
IZSC999005-AAB		30
IZSC999005-AAC		40
IZSC999005-AAD		42
<b>FIXED BOTTOM CONTACT</b>		
IZSC999002-AAE		
<b>END SHIELD</b>		<b>Epoxy insulated</b>
IZSC999003-AEA		



1) Maximum length of CT

Prepared	Björn Edberg	2015-06-11	Responsible department	PPCO/BK	Title GSB 420/2500/0.3 Cu	Language 82
Modified by	Björn Edberg	2015-06-15	Take over department			
Approved by	Johan X Eriksson	2015-06-15	Used in product			
Revision	C	Mass	Order		Sheet no.	1
Document no.					2751377-33	No. Shits. (1)

