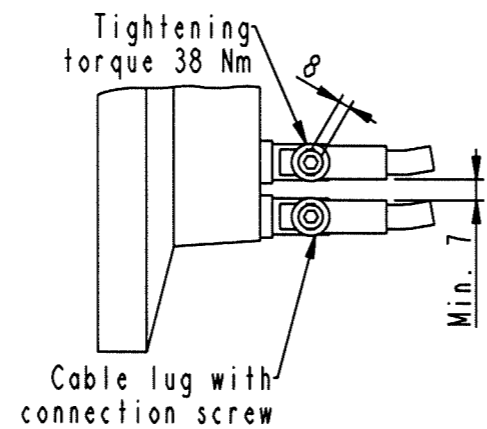
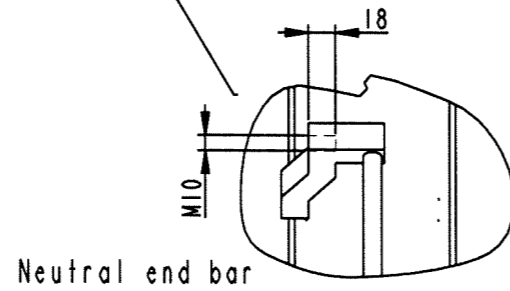
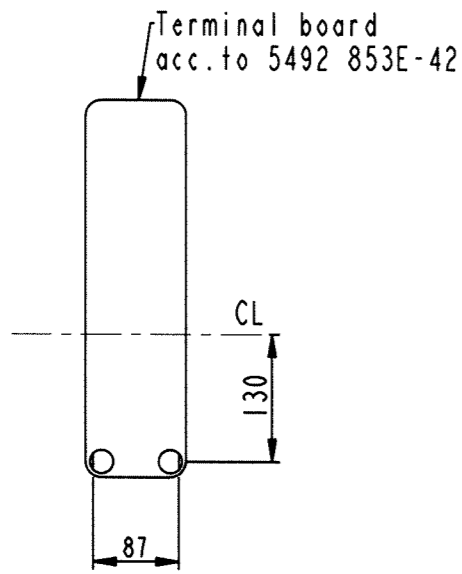
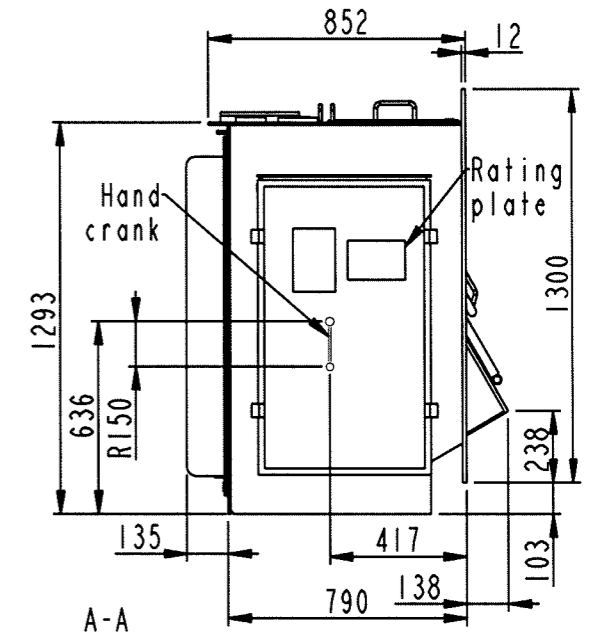
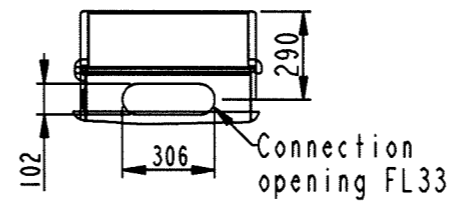
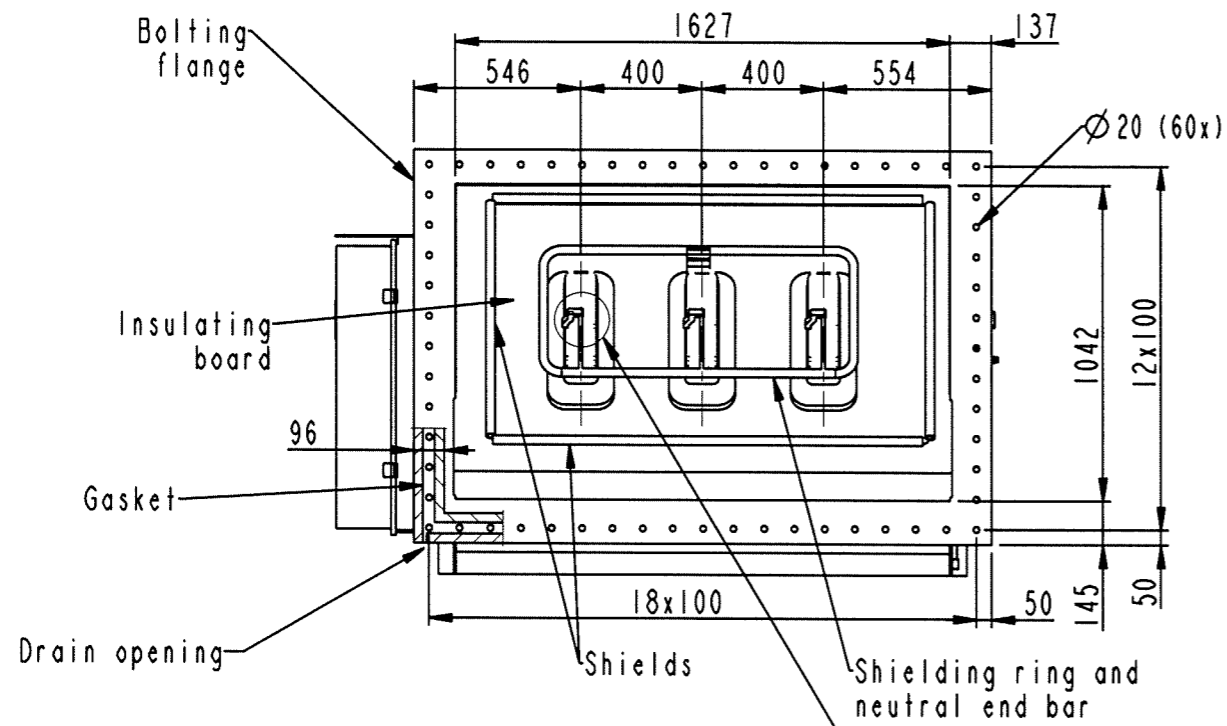
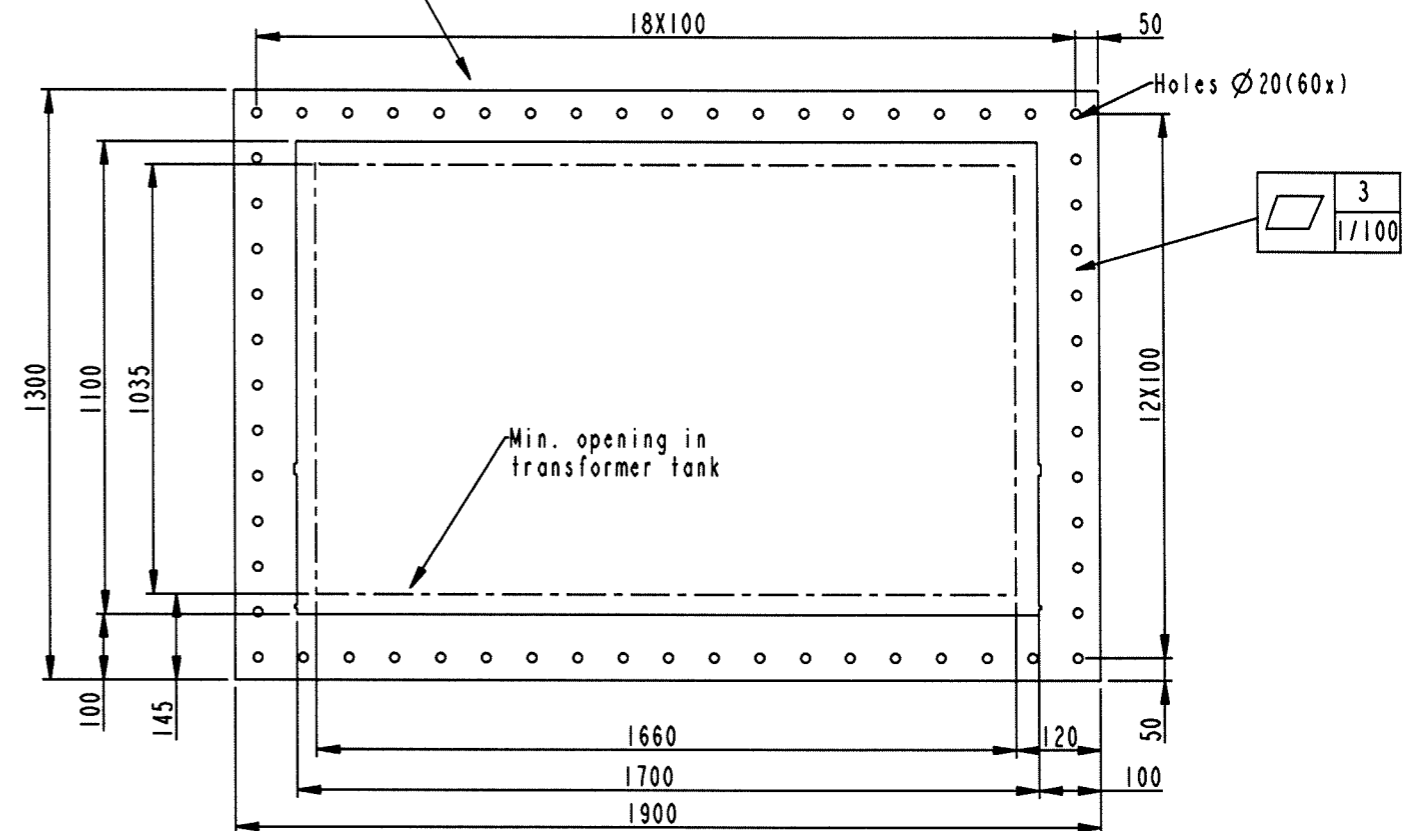




We reserve all rights in this document and in the information contained therein. Reproduction, use or disclosure to third parties without express authority is strictly forbidden. © ABB



Flange and opening in transformer tank



**ADDITIONAL DRAWINGS:**  
 Connection Diagrams: See Technical Guide UZ  
 Accessories: 54920090-9  
 Pressure Relay: 54920083-2  
 Oil Conservator: 54920090-12

Based on	Reg. No.	Title <b>TAP-CHANGER UZF</b> <b>UZF.N 550KV AND 650KV</b>	Language <b>en</b>
Prepared T Sapila 96-10-01	Responsible department COM/TK		
Approved M Eriksson	Take over department	Page 2(2)	Document No. <b>54920090-4</b>
Revision Rev.F 10-01-11	Database DIMENSION_DWGS		
<b>ABB</b> ABB Components			