

## Survive-All™ SVXH Series

Class I Division 2, Groups A, B, C and D hazardous location combination unit



### Construction

- Fully gasketed housing frame
- Faceplate: heavy-duty, vandal-resistant polycarbonate
- Backplate: heavy-duty aluminum
- Vandal-resistant UV stabilized polycarbonate lamp cover
- Stainless steel tamper-proof screws
- 6 inch EXIT lettering legend, available in red or green
- Field-selectable chevrons

### Mounting

- Surface wall mount only
- Backplate features universal knockouts for a standard 4 inch junction box, and four mounting eyelets used in wall mount applications
- 1/2 inch conduit entry on top and sides.

### Lamp type

- Choice of MR16 LED lamp wattages

### Battery type

- SVXH Model, nickel-cadmium battery, 6V-20W total battery capacity
- SVXH12N Model, nickel-cadmium battery, 12V-24W total battery capacity

### Photometric performance

Lamp	Spacing center-to-center (feet)	
	7' mounting height	15' mounting height
LA	39'	34'
LB	74'	57'
LG	49'	39'
LI	68'	54'
LJ	89'	80'

### Special Wording Panels

- Available. Contact your sales representative with your design requirements

### Electronics

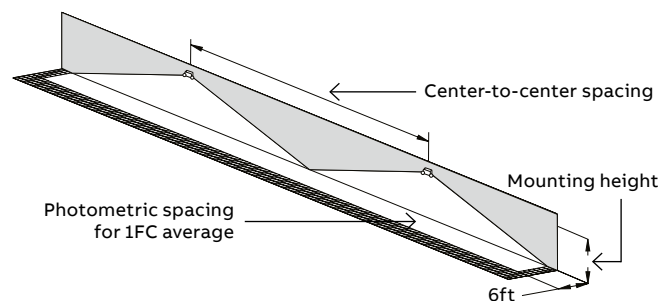
- Magnetic test switch
- Standard Advanced Diagnostics (non-audible)
- Optional Nexus® monitoring system
- 120/277 60Hz

### Approvals

- CSA-US (to UL 924 standards)
- Evaluated to the UL 844 Standard for Class I Division 2, Groups A, B, C and D
- NEC, OSHA and NEMA compliant for above Classes and Groups
- Damp and wet location (50°F to 104°F)
- Temperature code T4A (Max. temperature 248°F/120°C)
- Meets NFPA101 (Life Safety Code), NFPA 70-NEC and OSHA illumination standards

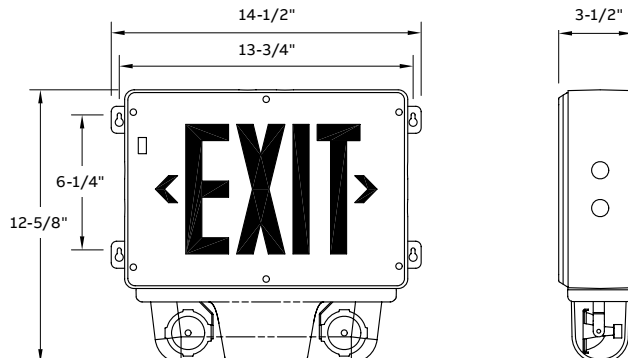
### Warranty

- Five-year limited warranty
- Detailed warranty terms located on page 178 or online at:  
[www.emergi-lite.com/usa/files/EL\\_Warranty.pdf](http://www.emergi-lite.com/usa/files/EL_Warranty.pdf)



**Dimensions**

Dimensions are approximate and subject to change.



**Power consumption and unit rating**

Model	AC Input	Current	Power	Maximum	Stand-by	Battery capacity in watts			
				Current	Power	1-1/2 hrs	2 hrs	3 hrs	4 hrs
SVXH	120/277VAC	0.15/0.07A	16W	0.09/0.03A	8W	20	15	-	-
SVXH12N	120/277VAC	0.30/0.08A	29W	0.13/0.05A	10W	24	18	12	-

**Temperature codes**

Lamp rating <sup>1</sup>	Temperature code	Max. temperature	Replacement part #
6V-4W	T4A	120°C	580.0097
6V-5W	T4A	120°C	580.0122
12V-4W	T4A	120°C	580.0080
12V-5W	T4A	120°C	580.0104

<sup>1</sup>Use qualified replacement lamps to avoid risk of over-heating

**Accessories** (order as a separate item)

Description	Part number
Additional special bit for tamper-proof screws	690.0454-E

**How to order**

Housing/face color	Series/capacity	Legend color	Diagnostics	# of heads	Lamp type/wattage <sup>1</sup>
GG= Gray/gray	SVXH= 6V-20W, Ni-Cd SVXH12N= 12V-24W, Ni-Cd	R= Red G= Green	DA= Advanced Diagnostics (audible) D= Advanced Diagnostics (non-audible) NEX= NEXUS® wired <sup>2</sup> NEXRF= NEXUS® wireless <sup>2</sup>	Blank= 0 head <sup>3</sup> 2= Two heads	LA= 6V-4W, MR16 LED LB= 6V-5W, MR16 LED LG= 12V-4W, MR16 LED LI= 12V-5W, MR16 LED LJ= 12V-6W, MR16 LED

**Example: GGSVXH12N2LG**

<sup>1</sup>No other lamp option available  
<sup>2</sup>Consult your sales representative  
<sup>3</sup>Minimum load required: 20% of load capacity