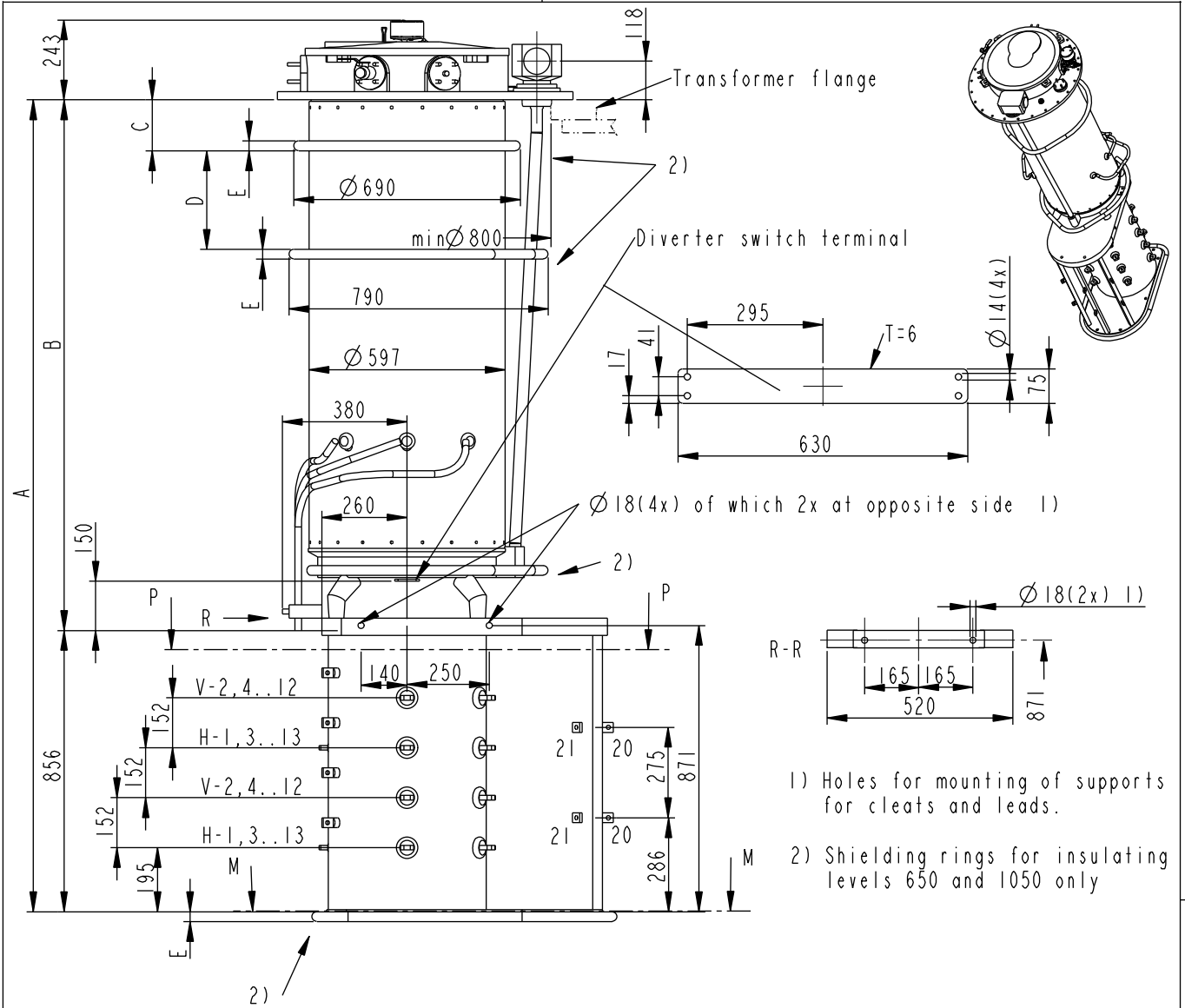
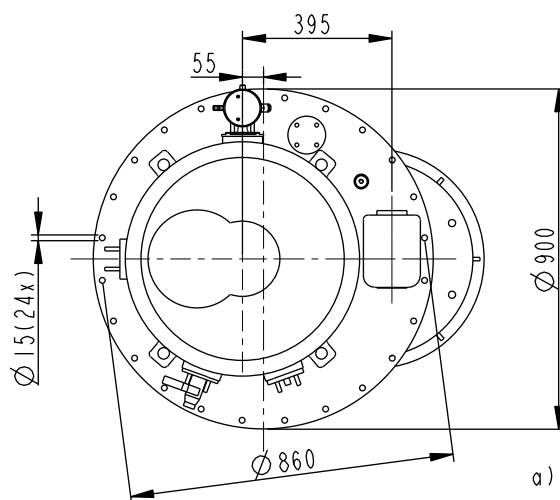


We reserve all rights in this document and in the information contained therein. Reproduction, use or disclosure to third parties without express authority is strictly forbidden. ©ABB



- 1) Holes for mounting of supports for cleats and leads.
- 2) Shielding rings for insulating levels 650 and 1050 only



INSULATION LEVEL kV	380	650	1050
A	2271 a)	2471 a)	2671 a)
B	1415 a)	1615 a)	1815 a)
C	-	155 a)	158 a)
D	-	300	494
E	-	30	36
H	-	930	936
J	-	290	293
K	-	580	586

a) For mounting on active part use A+85, B+85 and C+85 (See also Drawing 54920086-1)

Based on	Reg. No.	Title	
Prepared B Hultgren 96-05-28	Responsible department COM/TK	TAP-CHANGER UCLR AND UCLD	
Approved M Eriksson	Take over department	UCL.B(2PHASE) XXXX/600/III	
Revision Rev 4 06-10-06	Database DIMENSION_DWGS	9,13 POS	
<b>ABB Components</b>		Document No.	54920085-21

Inspection engineering review

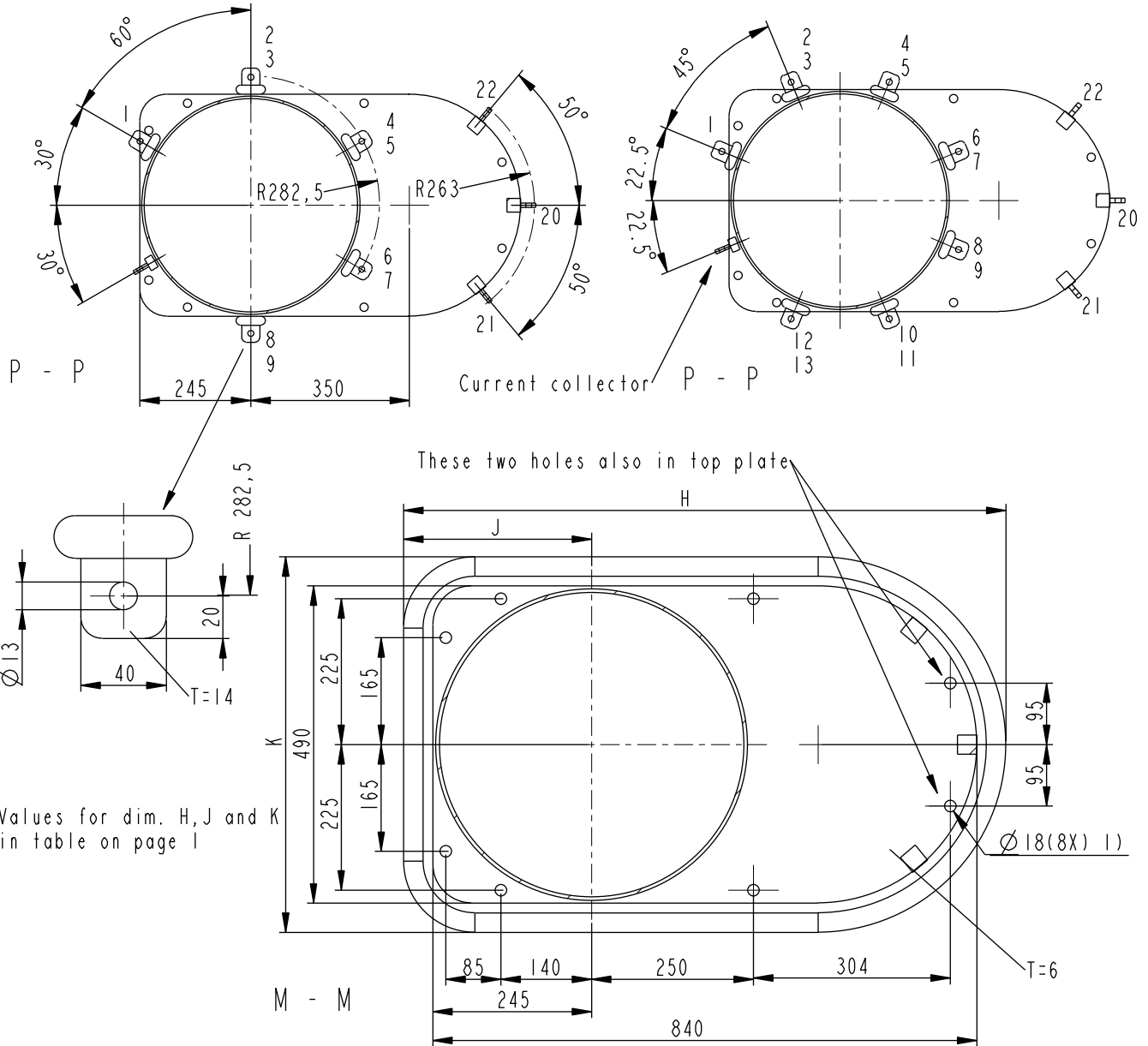
Production engineering review

Design engineering review

Language  
en  
Page  
1(2)

9 POSITIONS

13 POSITIONS

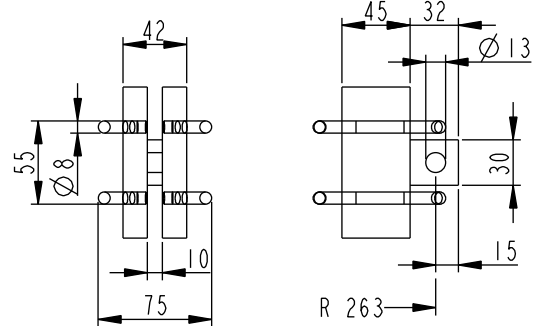


We reserve all rights in this document and in the information contained therein. Reproduction, use or disclosure to third parties without express authority is strictly forbidden. ©ABB

Values for dim. H, J and K in table on page 1

1) Holes for mounting of supports for cleats and leads

Tap selector contact 20,21,22 with shields



ADDITIONAL DRAWINGS:	
Connection Diagrams: See Technical Guide UC	
Mounting on active part: 54920086-1	
Accessories: 54920086-2	
Motor Drive BUL: 54830001-1	
Motor Drive BUE: 54830001-2 or -3	
External Drive Shaft: 54920083-4	
Pressure Relay: 54920083-2	
Bevel Gear: 54920083-1	

Based on	Reg. No.	Title	
Prepared B Hultgren 96-05-28	Responsible department COM/TK		
Approved M Eriksson	Take over department		Page 2(2)
Revision Rev.4 06-10-06	Database DIMENSION_DWGS		Document No.



ABB Components

Inspection engineering review  
Design engineering review  
Production engineering review