

NOTES:

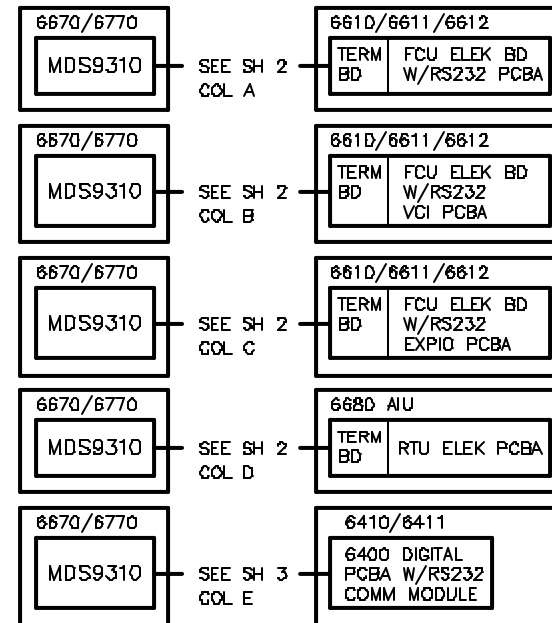
1. MAXIMUM BAUD RATE IS 4800 (RS232)
MAXIMUM BAUD RATE IS 2400 (RS485)
2. MDS9310 SUPPORTS 1 STOP BIT.
SPECIAL EXPANDED I/O OR VCI
EPROM REQUIRED.
3. EXTERNAL POWER REQUIRED,
RECEIVER MUST BE ON AT ALL TIMES.

4 INSTRUCTIONS FOR USING THIS DOCUMENT:
SELECT APPROPRIATE DRAWING FROM "REFERENCE INDEX" PAGE 1.
SELECT THE DIAGRAM WHICH MATCHES YOUR CONFIGURATION
AND GO TO THE SPECIFIED SHEET NUMBER.

5 GLOSSARY OF TERMS

REVISIONS					
REV	ACTION	DRAWN	CHECKED	APPROVED	DATE
AA	L4708	KASTNER	KASTNER	HOLLAND	97/08/22
AB	D2440	KASTNER	KASTNER	HOLLAND	01/12/14

4 REFERENCE INDEX



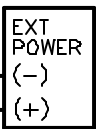
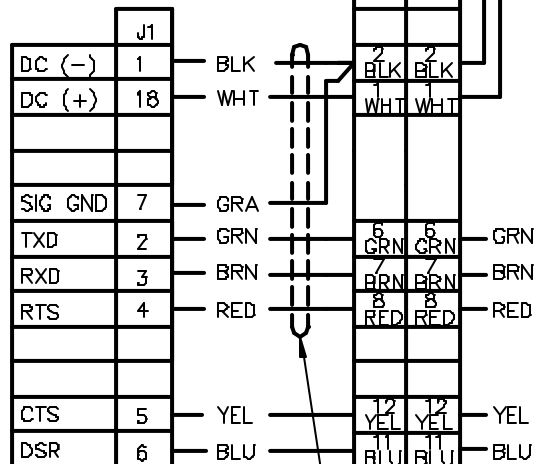
ASSEMBLY/QUANTITY	ITEM NO.	PART NUMBER	DESCRIPTION	REF/ZONE DESIG MATERIAL	UNIT MEAS
PARTS LIST					
DO NOT SCALE DRAWING THIRD ANGLE PROJECTION 		UNLESS OTHERWISE SPECIFIED DIMENSIONS ARE IN INCHES TOLERANCES ARE: DECIMAL .XX ± --- ANGLAR ± --- .XXX ± --- BREAK ALL SHARP CORNERS AND EDGES DIMENSIONS APPLY BEFORE FINISH		PRODUCT LINE TOTALFLOW® LEVEL 3 DESIGN G. HOLLAND DATE 97/9 DRAWN KASTNER 97/9/11 CHECKED KASTNER 97/9/22 APPROVED G. HOLLAND 07/7/22	
			ABIB TOTALFLOW Products FILE WIRING & INTERCONNECT MDS9310 IN 6770/6671/6670 WI		
		SCALE NONE	SIZE B	PCF WI	DRAWING ID. 2017416 AB 1 OF 4

6670/6770

MDS9310

RADIO POWERED FROM
SEPARATE POWER SUPPLY

RADIO MDS9310

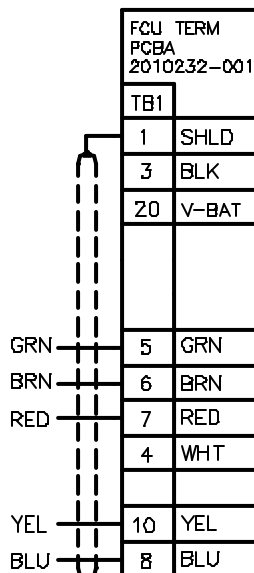


2015026-006

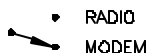
6610, 6611, 6612

A

FCU W/RS232 PCBA
2000003-001
2012878-001
2015133-001

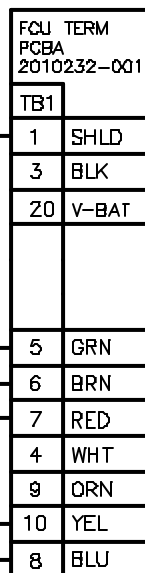


SETTING ON 2000003-001



B

FCU W/RS232 VCI PCBA
2010283-002



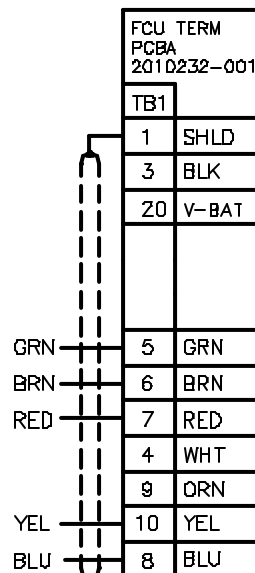
SETTING ON 2010283-002



JUMPER
2011753-001

C

FCU W/RS232 EXPID PCBA
2011690-002
2012901-002/004

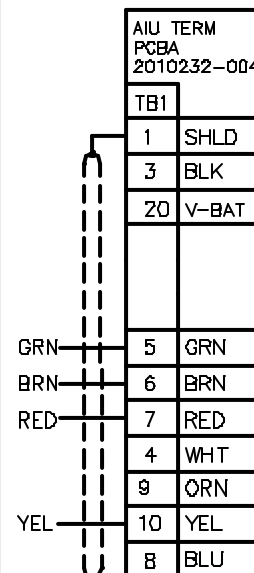


JUMPER
2011753-001

6680

D

A.I.U.

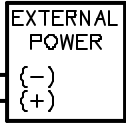


JUMPER
2011753-001

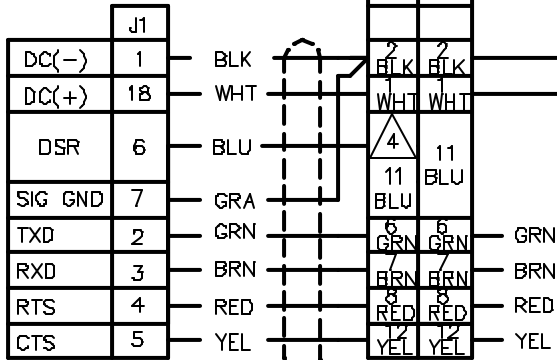
6670/6770

MDS9310

RADIO POWERED FROM SEPARATE POWER SUPPLY



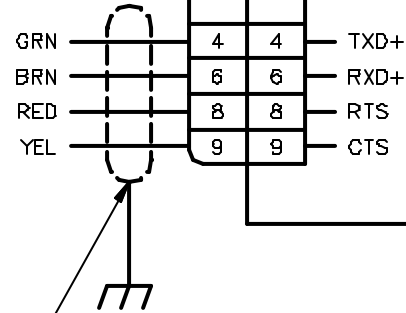
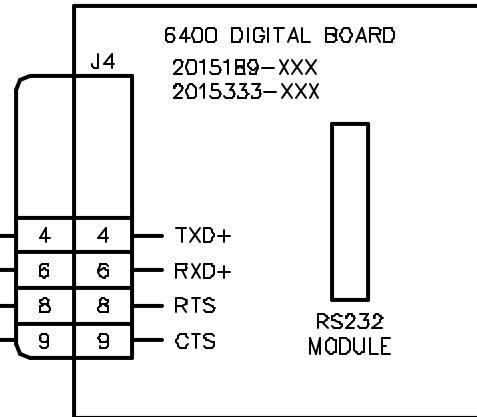
RADIO MDS9310



2015271-002

6410/6411

E



2015072-001

REMOTE SETTINGS:

ADDR = 001
 BAUD = 4800
 CTS = 30ms
 BUFF = on
 CHAN = 1
 A

MASTER SETTINGS:

ADDR = 001
 BAUD = 4800
 CTS = 30ms
 BUFF = on
 CHAN = 1
 A

MODE = REMOTE
 TOT = 13ms

MODE = MASTER
 TOT = 13ms

5

GLOSSARY OF TERMS

PART NUMBER	TITLE	DEFINITION
2012630-004/007	UCI, RADIO	UNIVERSAL COMMUNICATIONS INTERFACE (UCI), USED TO INTERFACE RADIO EQUIPMENT WITH TOTALFLOW HARDWARE. (CAN CONVERT RS-232 TO RS-485, RS-485 TO MODTONES OR RS-232 TO MODTONE SIGNALS) MODEM SUPPORTS FSK MODULATION AT 1200 BAUD ONLY.
	6410 FCU	FLOW COMPUTER UNIT WITH 6400 DIGITAL BOARD (P/N 2015189-005/006 OR 2015333-002/003), GAS ORIFICE
	6411 FCU	FLOW COMPUTER UNIT WITH 6400 DIGITAL BOARD (P/N 2015189-005/006 OR 2015333-002/003), PULSE INPUT
	6610 FCU	GAS ORIFICE FLOW COMPUTER UNIT IN CAST ALUMINUM CASE.
	6611 FCU	PULSE INPUT FLOW COMPUTER UNIT IN CAST ALUMINUM CASE.
	6612 FCU	LIQUID ORIFICE FLOW COMPUTER UNIT IN CAST ALUMINUM CASE.
	6680 AIU	ANALYZER INTERFACE UNIT, INTERFACES BETWEEN BTU TRANSMITTER AND FLOW COMPUTER UNITS SUPPLYING GAS COMPOSITION INFORMATION FOR VOLUME CALCULATIONS
	6670 OPTL EQUIP ENCL	REMOTE COMMUNICATIONS ENCLOSURE SUPPORTING DC POWER SYSTEM
2000003-001	COMM INTERFACE PCBA	RS-232 INTERFACE BOARD (COMPATIBLE WITH 6600 AND 6700 FLOW COMPUTER UNITS SUPPORTING 50 PIN INTERFACE CONNECTOR) REPLACED BY 2012878-001
2010283-003/004	VCI PCBA	VERSATILE COMMUNICATIONS INTERFACE (VCI) BOARD. PRIMARY FUNCTION IS DIGITAL VALVE CONTROL. INTERFACE BOARD HAS 4 DIGITAL INPUTS AND OUTPUTS. CAN BE ADDED TO 66XX OR 6713 FLOW COMPUTER TO PROVIDE VALVE CONTROL FUNCTION.
2012878-001	COMM INTERFACE PCBA	RS-232 INTERFACE BOARD (COMPATIBLE WITH 6600 AND 6700 FLOW COMPUTER UNITS SUPPORTING 50 PIN INTERFACE CONNECTOR) DOES NOT SUPPORT MODTONES
2011690-002	EXPIO PCBA, RS232	PLUG-IN RTU BOARD RS-232 VERSION (OBSOLETE, REPLACED BY 2012901-002 AND 2015452-002)
2012901-002	EXPIO PCBA, RS232	PLUG-IN RTU BOARD RS-232 VERSION (OBSOLETE, REPLACED BY 2015452-002)
2015452-002	EXPIO PCBA, RS232	PLUG-IN RTU BOARD RS-232 (REPLACES 2011690-002 AND 2012901-002)
2015133-001	RS232 COMM INTERFACE	RS-232 INTERFACE BOARD FOR THE 6400 FLOW COMPUTER (WITHOUT REQUEST-TO-SEND ISOLATION FUSE)
	MDS9310 W/MODEM	TOTALFLOW PART NUMBER FOR MICROWAVE DATA SYSTEMS (MDS) SPREAD SPECTRUM TRANSCEIVER WITH INTERNAL 4800 BAUD MODEM
2015189-XXX	6400 DIGITAL PCBA	MODEL 6400 ELECTRONIC BOARD (REPLACED BY 2015333-XXX)
2015333-XXX	6400 DIGITAL PCBA II	MODEL 6400 ELECTRONIC BOARD
2015192-001	RS232 COMM MODULE	RS-232 COMMUNICATIONS MODULE FOR 6400 OR 6700 FLOW COMPUTER UNIT